

Job Name: 26-1301 WCSC New Pre-K Classroom Addition	Plant: Beaver Dam	Tech: S. Felletter	
Job Location: Newburgh, IN Contractor: Hahn Excavating, Inc.	3/24/2026 10:19:46 AM	PC: E. Bradley	

Structure ID: Str. 6-7 ST-CI

P1 BX2436-08BVF

BOX BASE 8inW, 8inF, Variable Ht F/n

P2) 24" x 36" - CASTING HEIGHT - 6"	0 lb
P1) 24" x 36" - BOX BASE 8inW, 8inF, Variable Ht F/n - 26"	3914 lb
1) CASTING - HOE 525 SET FLAT GRATE (F/G/H)	442 lb
1) 24" x 36" - Conseal CS-102 1.00"	0 lb
1) Hole - 16	0 lb
Structure Total:	4356 lb

Structure Notes:
 1. PER ASTM C913 SPECIFICATIONS.
 2. CONCRETE = 4,000 PSI AT 28 DAYS.
 3. NO INVERT CHANNEL.
 4. CASTING BY ICAST (HOE 525 FLAT SET)

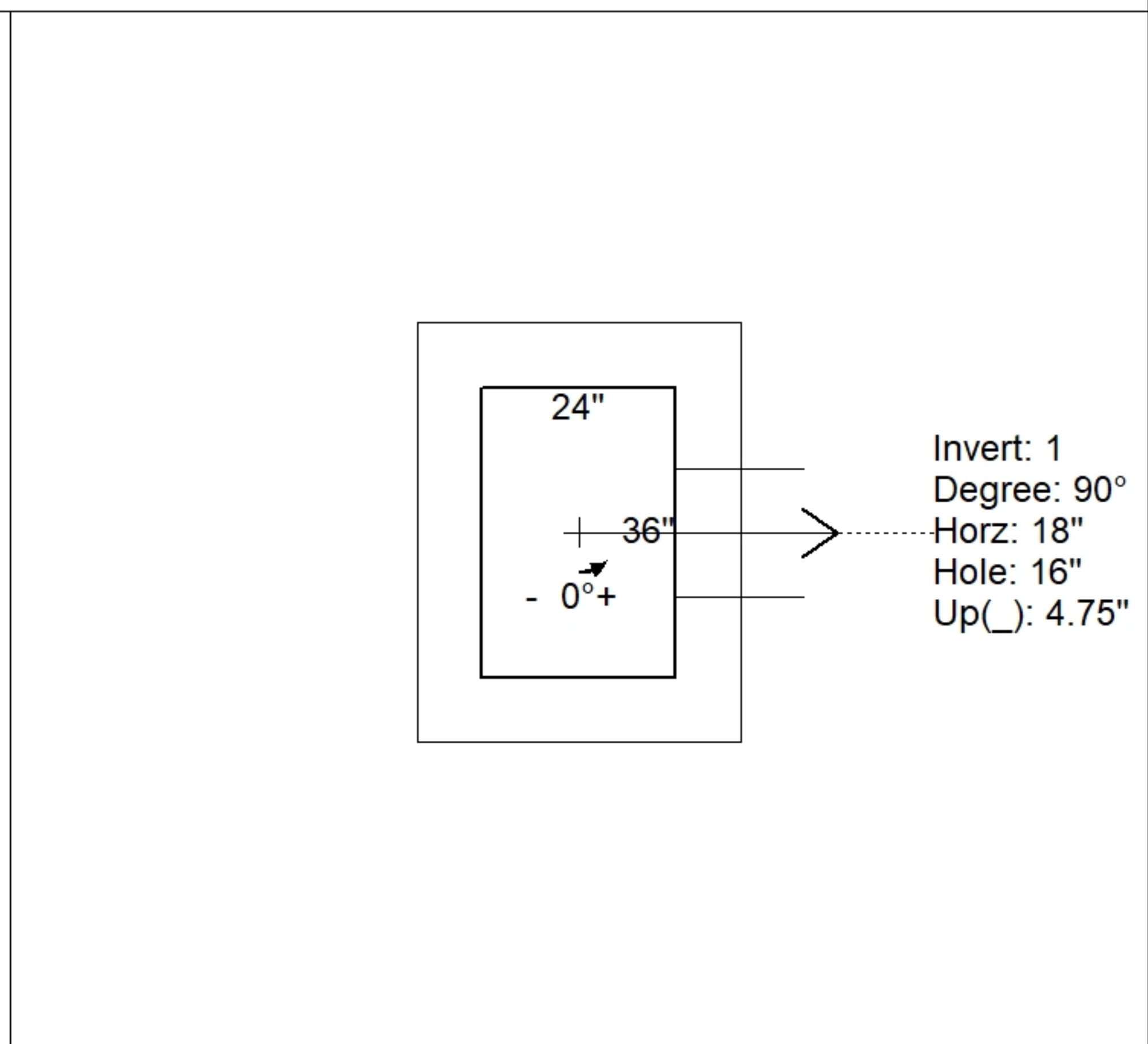
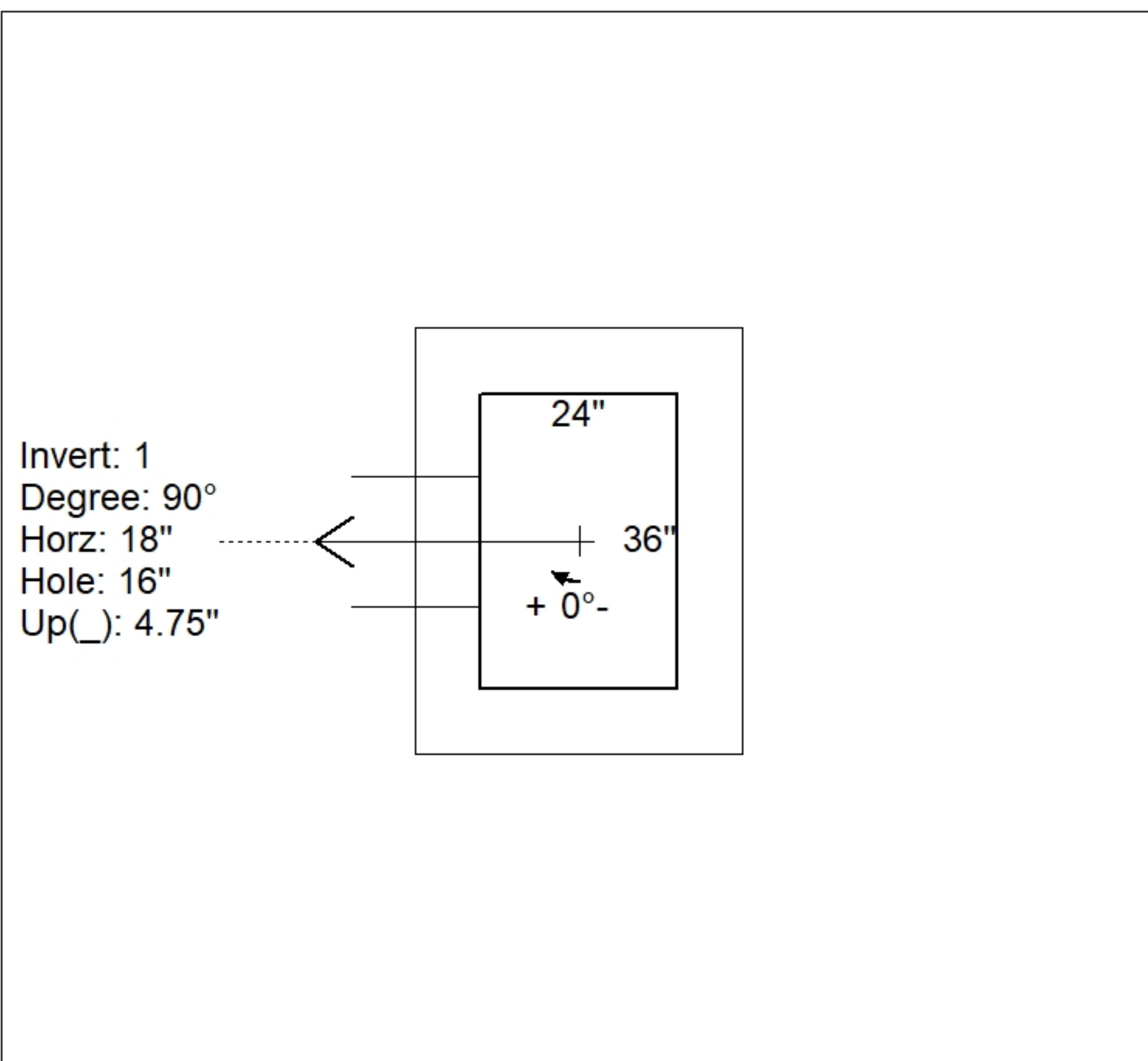
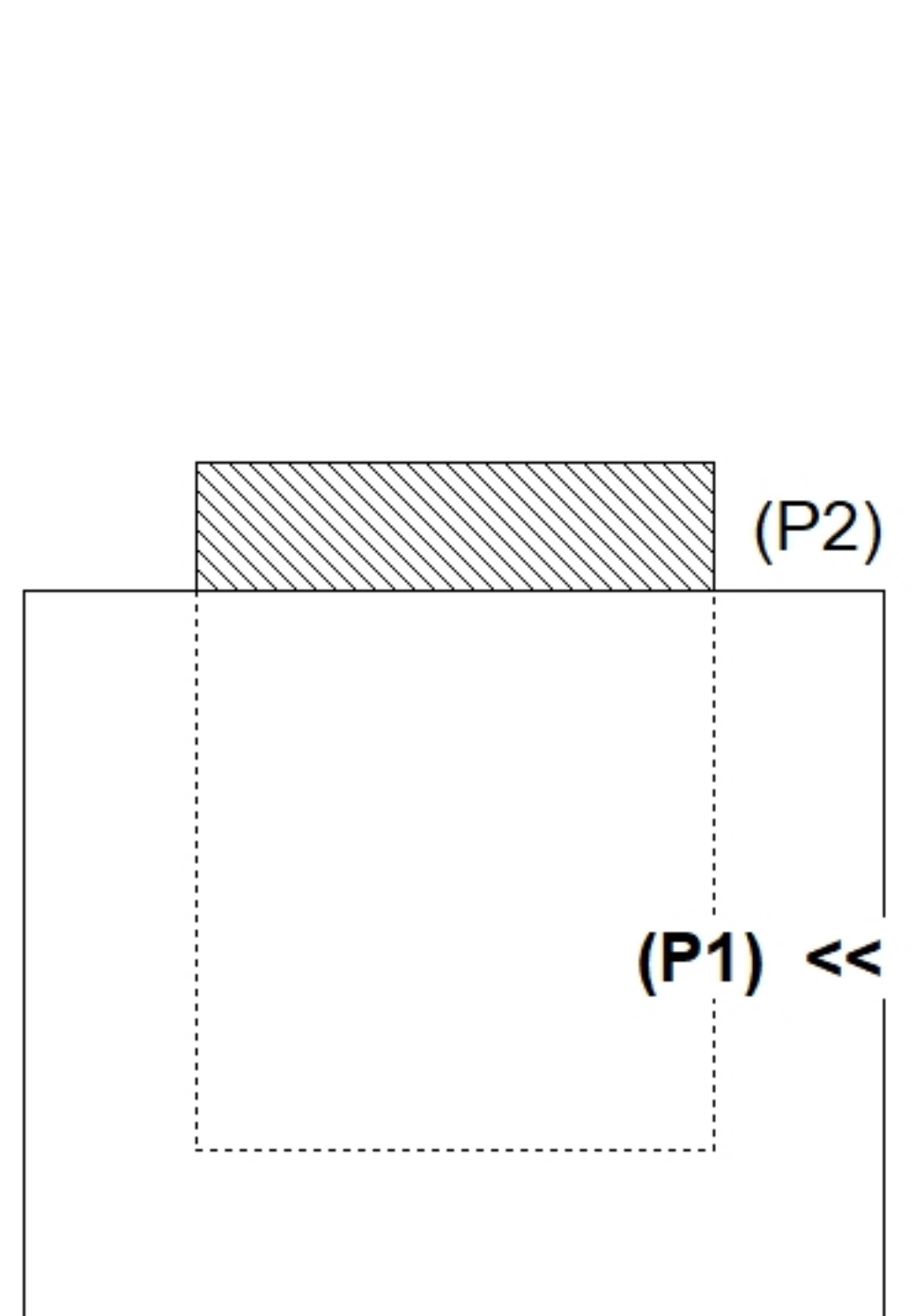
REINFORCING PER ASTM A615 (GRADE 60).
 - WALLS (As .12) #5 BARS AT 12" C.C.E.W.
 - FLOOR (As .12) #5 BARS AT 12" C.C.E.W.

Rim: 444.25' Rim to Invert: 2.21' Slack: 0.52" Sump: 6" Step Position:

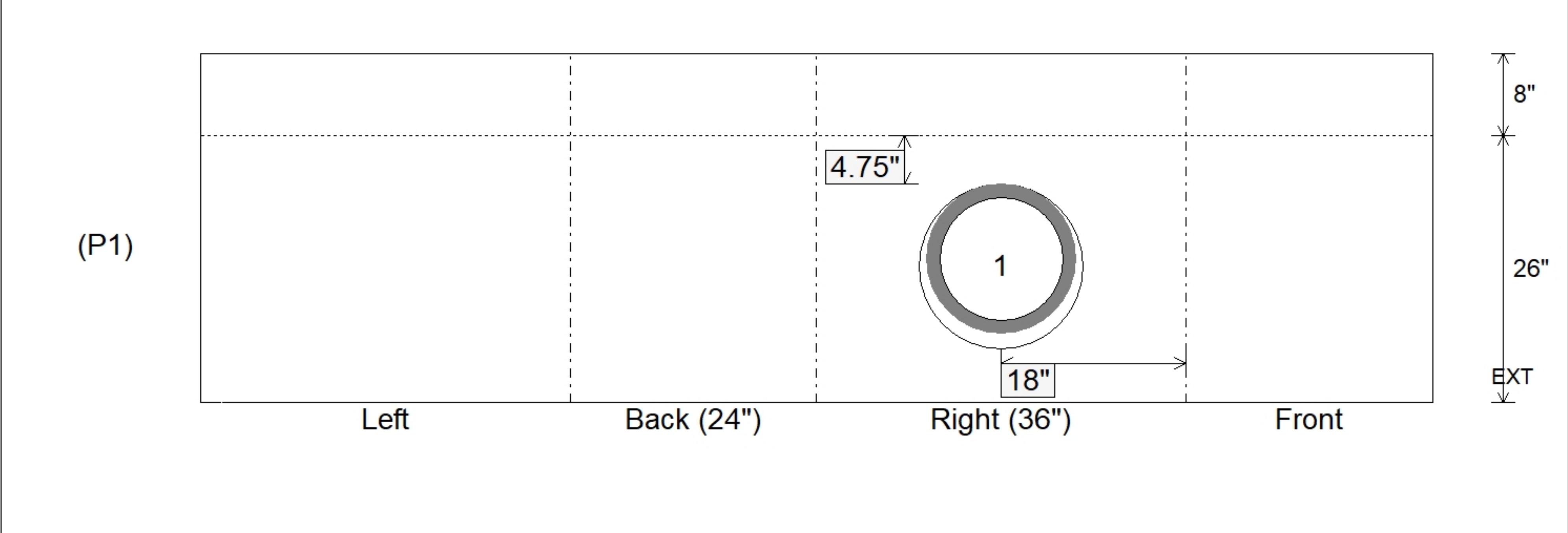
Position	Elev	Angle	Ext. (cw)	Pipe	Pipe OD	Connector	Hole	Horz Size	Up ()	Offset
Invert 1	442.04'	90°	26"	12" HDPE	14.5"	Hole 16	16"	16"	4.75"	0"
Invert 2										
Invert 3										
Invert 4										
Invert 5										
Invert 6										
Invert 7										
Invert 8										

RIGHT-SIDE UP VIEW (int. dimensions)

UPSIDE-DOWN VIEW (int. dimensions)



INSIDE WALL DIMENSIONS



Coating (Int): Coating (Ext):	Seam Up: Flat Seam Dn: n/a	Wall Thickness: 8" Floor Height: 8"	Height (Int): 26" Height (Ext): 34"	Weight (Net): 3914 lb Volume (Net): 1cu.yd
----------------------------------	-------------------------------	--	--	---