

Job Name: 26-1301 WCSC New Pre-K Classroom Addition
Job Location: Newburgh, IN
Contractor: Hahn Excavating, Inc.

PC: E. Bradley
 TECH: S. Felletter
 Plant: Beaver Dam



Structure ID: **Str. 2-3 ST-MH**

Spec: Storm
 Type: STM.MH
 Size: 48"

Rim: 445.91'
 Invert: 442.98'
 Rim to Invert: 2.93'

Sump: 6"
 Floor (Top): 442.48'
 Floor Height: 6"

Floor (Bot): 441.98'
 Overall Height: 3.917'
 Slack: 0.16"

Structure Notes:

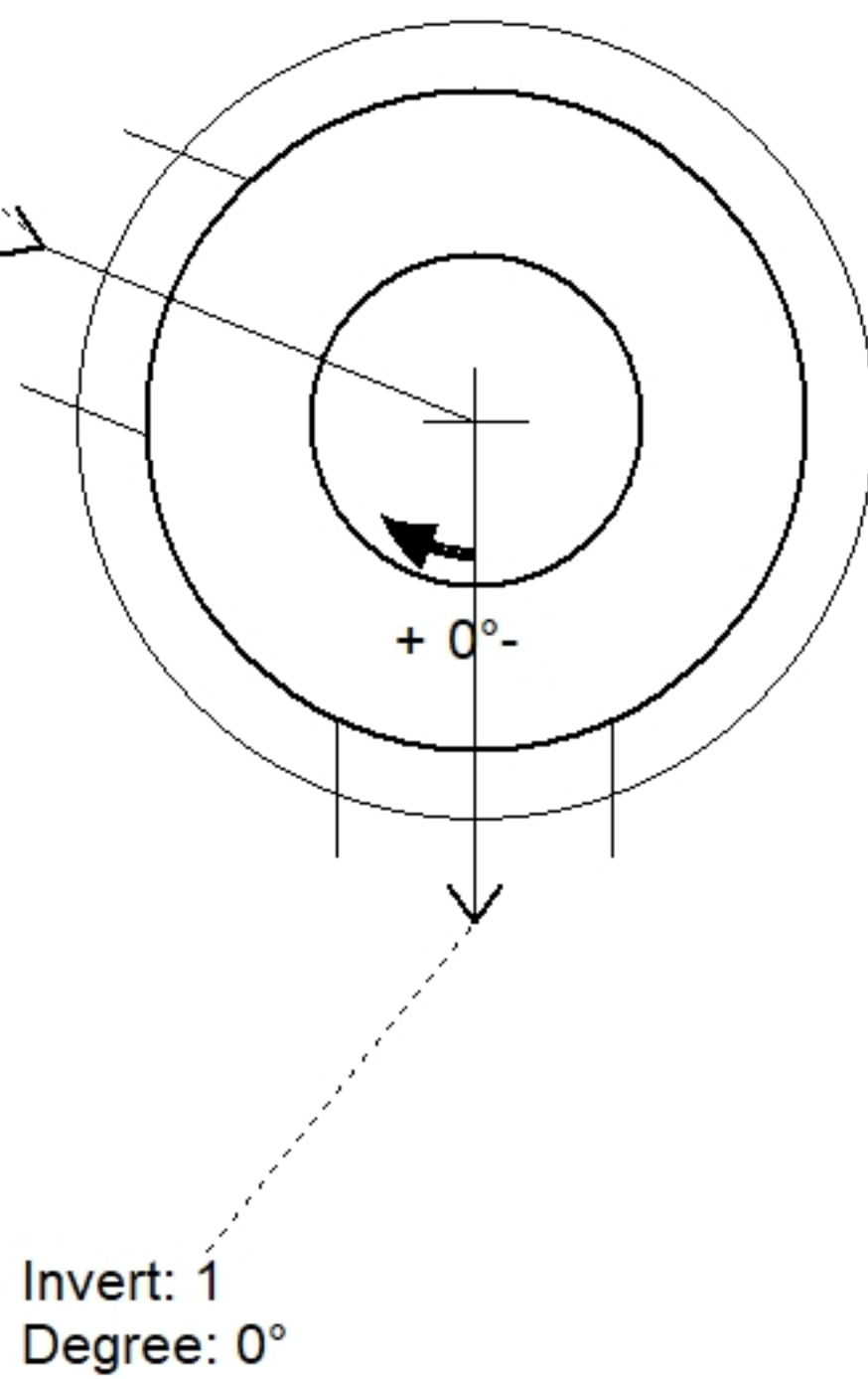
1. PER ASTM C478 SPECIFICATIONS.
2. CONCRETE = 4,000 PSI AT 28 DAYS.
3. CASTING BY ICAST (HOE MC-315 F/ VENTED COVER)

REINFORCING PER ASTM A615 (GRADE 60).
 - TOP SLAB (As .62) #5 BARS AT 6" C.C.E.W..
 - RISER/WALLS (As .12)
 - FLOOR (As .31) #5 BARS AT 12" C.C.E.W.

STRUCTURE SUMMARY:

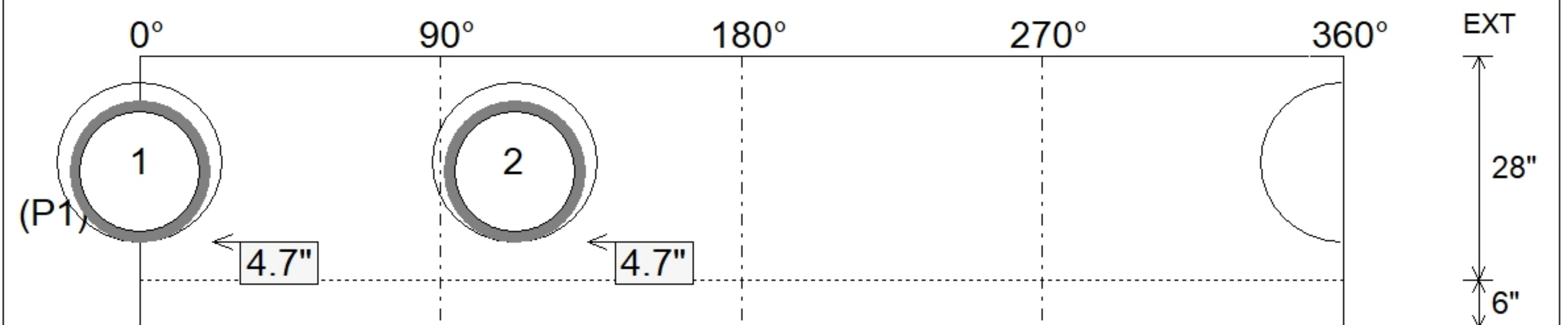
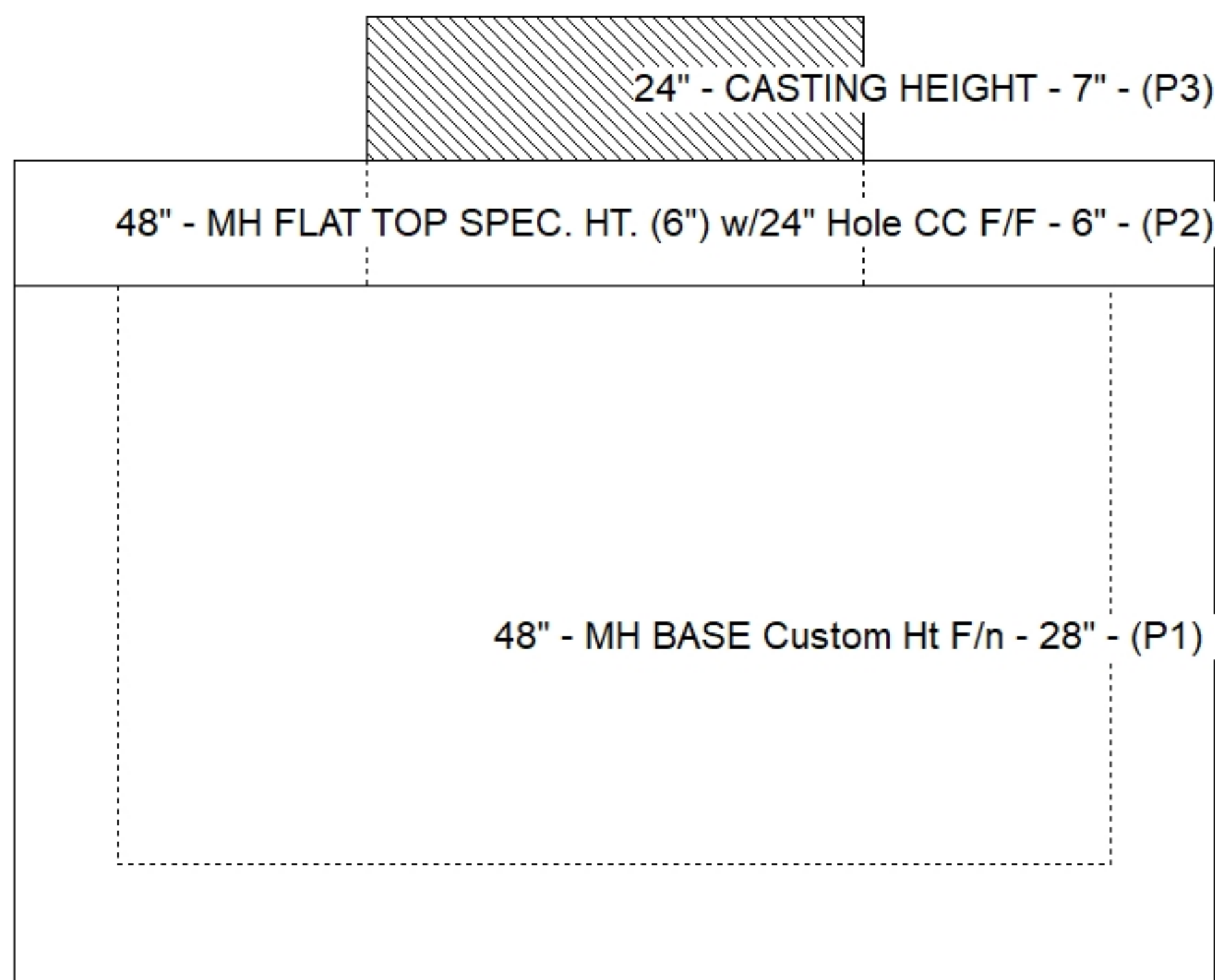
| | |
|---|----------------|
| P3) 24" - CASTING HEIGHT - 7" | 0 lb |
| P2) 48" - MH FLAT TOP SPEC. HT. (6") w/24" Hole CC F/F - 6" | 1102 lb |
| P1) 48" - MH BASE Custom Ht F/n - 28" | 3016 lb |
| 1) CASTING - HOE MC-315 F/C Vented | 258 lb |
| 1) 48" - Conseal CS-102 1.00" | 0 lb |
| 2) Hole - 20 | 0 lb |
| Structure Total: | 4376 lb |

Invert: 2
 Degree: 112°



| Position | Elev | Angle | Pipe | Pipe OD | Hole | Connector | Up (L) | Ref |
|----------|---------|-------|----------|---------|------|-----------|--------|-----|
| Rim | 445.91' | | | | | | | |
| Reducer | | | | | | | | |
| Invert 1 | 442.98' | 0° | 15" HDPE | 17.6" | 20" | Hole 20 | 4.7" | P1 |
| Invert 2 | 442.98' | 112° | 15" HDPE | 17.6" | 20" | Hole 20 | 4.7" | P1 |
| Invert 3 | | | | | | | | |
| Invert 4 | | | | | | | | |
| Invert 5 | | | | | | | | |
| Invert 6 | | | | | | | | |
| Invert 7 | | | | | | | | |
| Invert 8 | | | | | | | | |

Default - Interior Dimensions



Submittal Drawing
 3/24/2026 10:18:55 AM

SUBMITTAL
 APPROVED BY: