

Job Name: 26-1301 WCSC New Pre-K Classroom Addition
Job Location: Newburgh, IN
Contractor: Hahn Excavating, Inc.

PC: E. Bradley
 TECH: S. Felletter
 Plant: Beaver Dam



Structure ID: **Str. 18-19 ST-IN**

Spec: Storm
 Type: BX 6inW, 6inF
 Size: 24" x 24"

Rim: 446.25'
 Invert: 441.13'
 Rim to Invert: 5.12'

Sump: 6"
 Floor (Top): 440.63'
 Floor Height: 6"

Floor (Bot): 440.13'
 Overall Height: 6.083'
 Slack: 0.44"

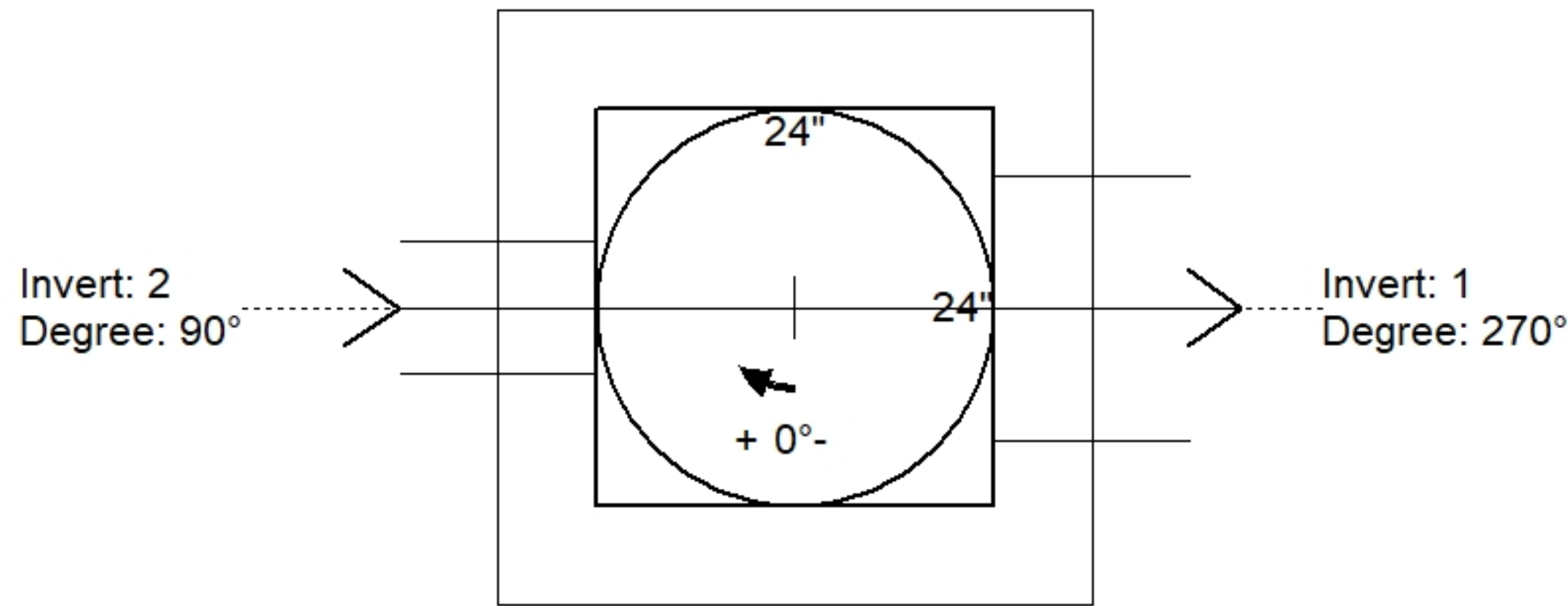
Structure Notes:

1. PER ASTM C913 SPECIFICATIONS.
2. CONCRETE = 4,000 PSI AT 28 DAYS.
3. NO INVERT CHANNEL.
4. CASTING BY ICAST (HOE MCB-315-BH).

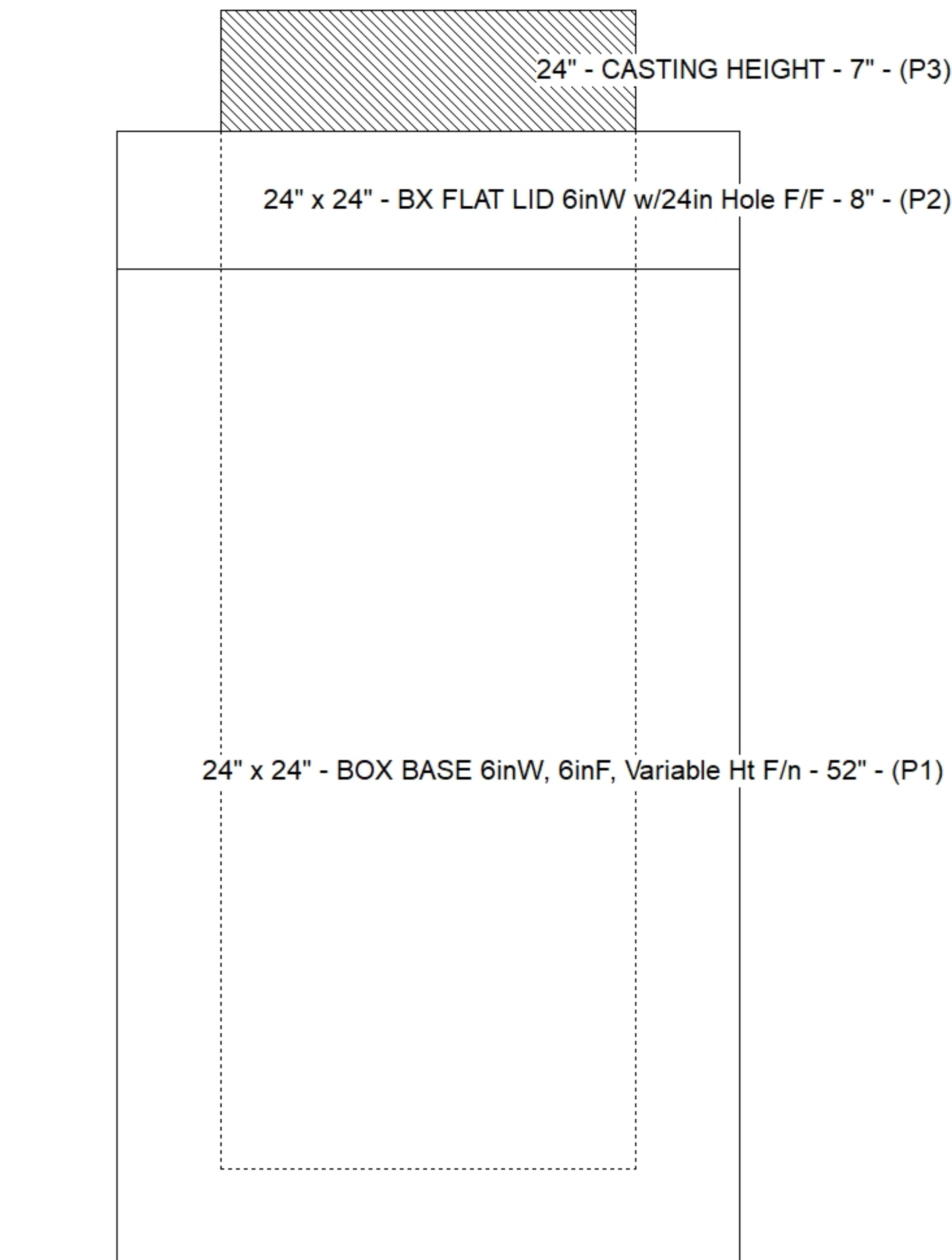
REINFORCING PER ASTM A615 (GRADE 60).
 - TOP SLAB (As .62) #5 BARS AT 6" C.C.E.W.
 - WALLS (As .12) #5 BARS AT 12" C.C.E.W.
 - FLOOR (As .12) #5 BARS AT 12" C.C.E.W.

STRUCTURE SUMMARY:

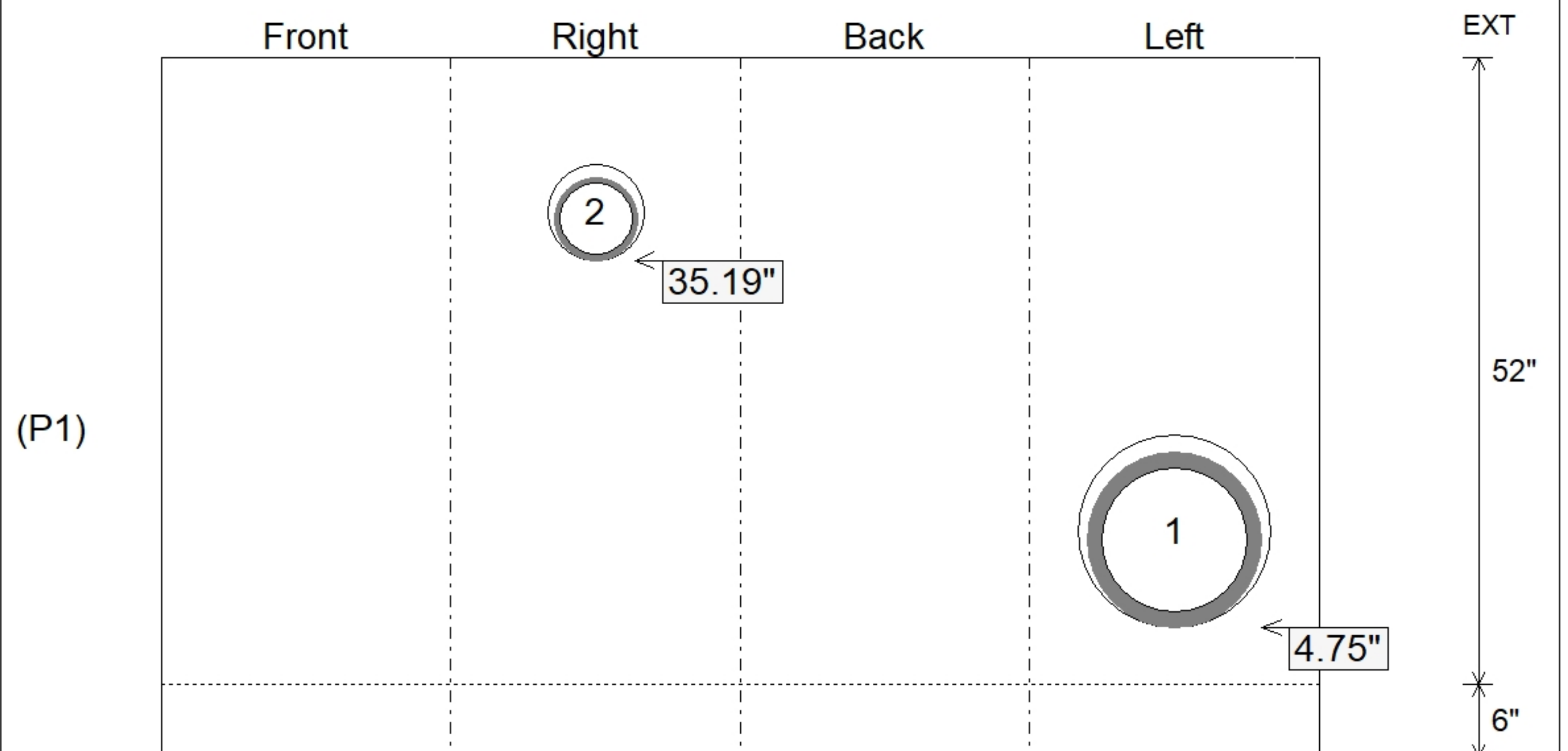
P3) 24" - CASTING HEIGHT - 7"	0 lb
P2) 24" x 24" - BX FLAT LID 6inW w/24in Hole F/F - 8"	566 lb
P1) 24" x 24" - BOX BASE 6inW, 6inF, Variable Ht F/n - 52"	3668 lb
1) CASTING - HOE MC-315 F/C Vented	258 lb
1) 24" x 24" - Conseal CS-102 1.00"	0 lb
1) Hole - 16	0 lb
1) Hole - 8	0 lb
Structure Total:	4492 lb



Position	Elev	Angle	Pipe	Pipe OD	Hole	Connector	Up (")	Ref
Rim	446.25'							
Reducer								
Invert 1	441.13'	270°	12" HDPE	14.5"	16"	Hole 16	4.75"	P1
Invert 2	443.6'	90°	6" HDPE	6.9"	8"	Hole 8	35.19"	P1
Invert 3								
Invert 4								
Invert 5								
Invert 6								
Invert 7								
Invert 8								



Default - Interior Dimensions



Submittal Drawing
 3/24/2026 10:19:03 AM

SUBMITTAL
 APPROVED BY: