

Job Name: 26-1301 WCSC New Pre-K Classroom Addition  
 Job Location: Newburgh, IN  
 Contractor: Hahn Excavating, Inc.

Plant: Beaver Dam  
 3/23/2026 10:51:55 AM

Tech: S. Felletter  
 PC: E. Bradley



**Structure ID: Str. 18-19 ST-IN**

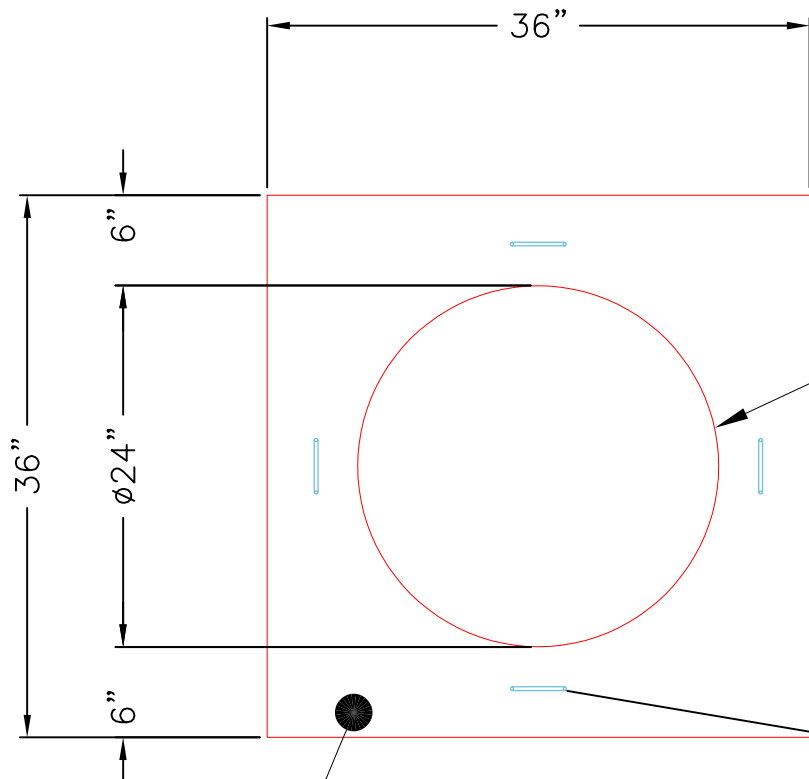
**P2 BX024024-08LD06S**

**BX FLAT LID 6inW w/24in Hole F/F**

- P3) 24" - CASTING HEIGHT - 7"
- P2) 24" x 24" - BX FLAT LID 6inW w/24in Hole F/F - 8"
- P1) 24" x 24" - BOX BASE 6inW, 6inF, Variable Ht F/n - 52"
- 1) CASTING - HOE MC-315 F/C Vented
- 1) 24" x 24" - Conseal CS-102 1.00"
- 1) Hole - 16
- 1) Hole - 8

0 lb  
 566 lb  
 3668 lb  
 258 lb  
 0 lb  
 0 lb  
 0 lb  
 -----  
 Structure Total: 4492 lb

Structure Notes:  
 1. PER ASTM C913 SPECIFICATIONS.  
 2. CONCRETE = 4,000 PSI AT 28 DAYS.  
 3. NO INVERT CHANNEL.  
 4. CASTING BY ICAST (HOE MCB-315-BH).  
  
 REINFORCING PER ASTM A615 (GRADE 60).  
 - TOP SLAB (As .62) #5 BARS AT 6" C.C.E.W.  
 - WALLS (As .12) #5 BARS AT 12" C.C.E.W.  
 - FLOOR (As .12) #5 BARS AT 12" C.C.E.W.



**PLAN VIEW**

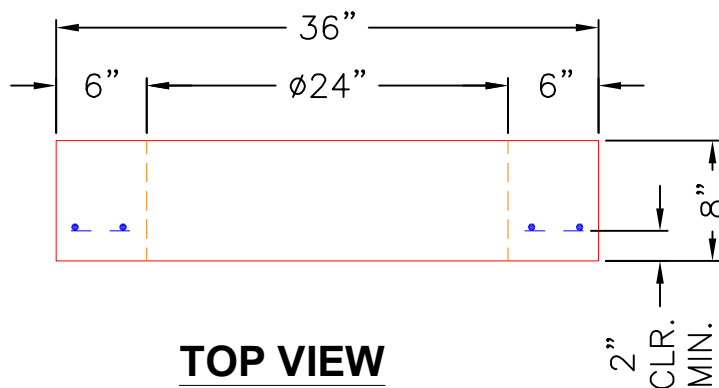
**NOTES:**

- 1. MANUFACTURED TO ASTM C-913 (LATEST REVISION).
- 2. CONCRETE: 5,000 PSI AT 28 DAYS.
- 3. REINFORCING: #5 BAR @ 6" O.C. E.W. (GRADE 60).

Ø24" OPENING AS SHOWN

4 EA. CONAC .8 TON 8<sup>1</sup>/<sub>16</sub>" (6MM) WIRE ROPE ANCHORS REQUIRED.

FLOAT FINISH



**TOP VIEW**

Coating (Int):  
 Coating (Ext):

Seam Up: Flat  
 Seam Dn: Flat

Wall Thickness: 6"

Height (Ext): 8"

Weight (Net): 566 lb  
 Volume (Net): 0.14cu.yd