

**Job Name: 26-1301 WCSC New Pre-K Classroom Addition**  
**Job Location: Newburgh, IN**  
**Contractor: Hahn Excavating, Inc.**

PC: E. Bradley  
 TECH: S. Felletter  
 Plant: Beaver Dam



Structure ID: **Str. 17-18 ST-IN**

Spec: Storm  
 Type: BX 6inW, 6inF  
 Size: 24" x 24"

Rim: 443.25'  
 Invert: 439.69'  
 Rim to Invert: 3.56'

Sump: 6"  
 Floor (Top): 439.19'  
 Floor Height: 6"

Floor (Bot): 438.69'  
 Overall Height: 4.5'  
 Slack: 0.72"

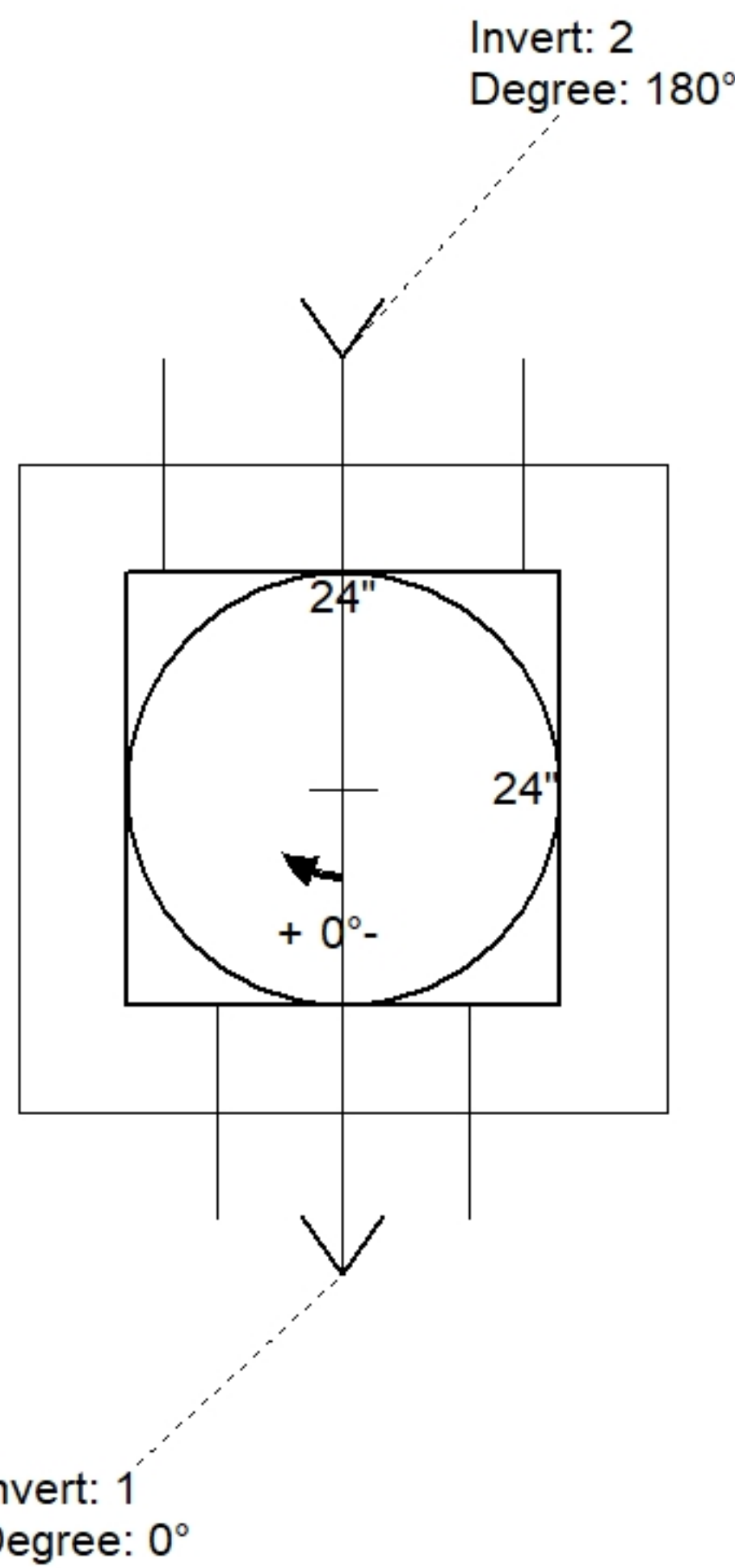
**Structure Notes:**

1. PER ASTM C913 SPECIFICATIONS.
2. CONCRETE = 4,000 PSI AT 28 DAYS.
3. NO INVERT CHANNEL.
4. CASTING BY ICAST (HOE MCB-315-R).

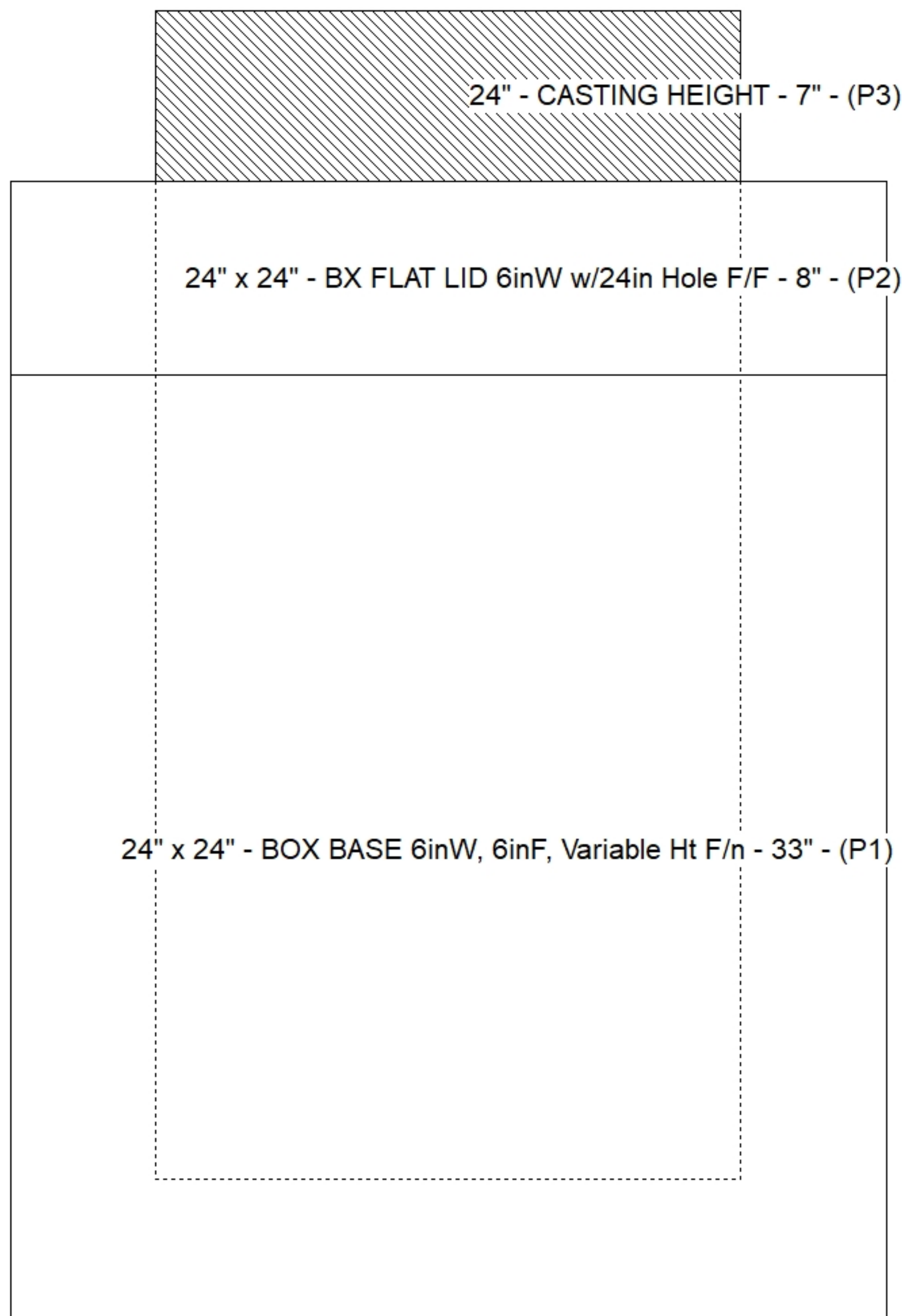
REINFORCING PER ASTM A615 (GRADE 60).  
 - TOP SLAB (As .62) #5 BARS AT 6" C.C.E.W.  
 - WALLS (As .12) #5 BARS AT 12" C.C.E.W.  
 - FLOOR (As .12) #5 BARS AT 12" C.C.E.W.

**STRUCTURE SUMMARY:**

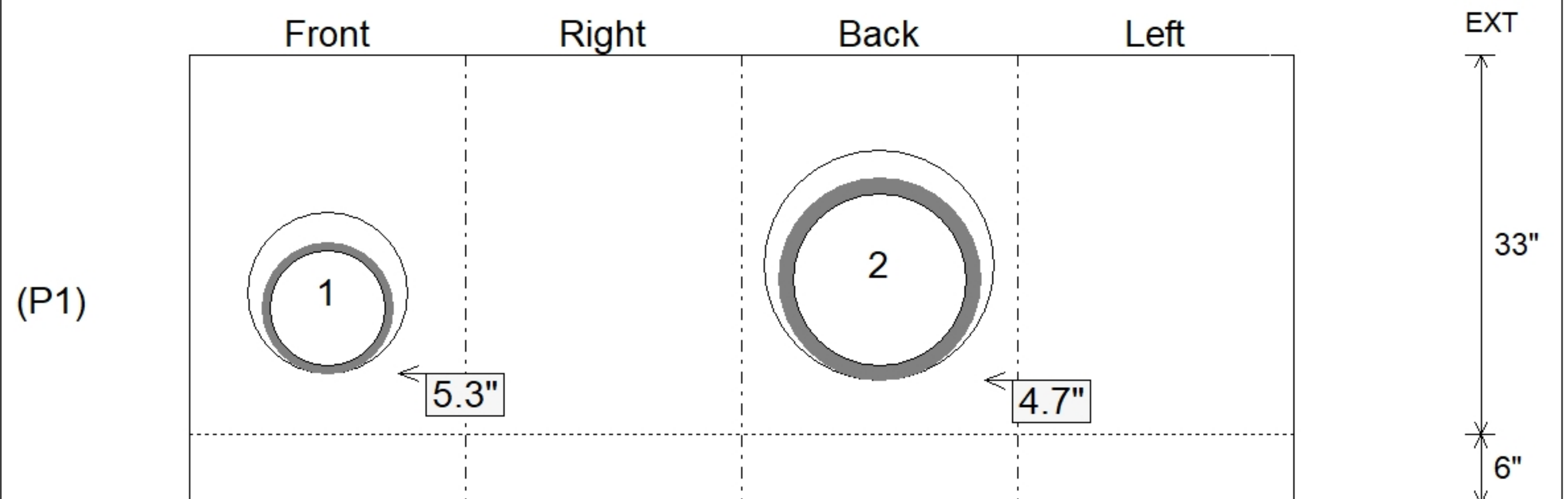
P3) 24" - CASTING HEIGHT - 7"	0 lb
P2) 24" x 24" - BX FLAT LID 6inW w/24in Hole F/F - 8"	566 lb
P1) 24" x 24" - BOX BASE 6inW, 6inF, Variable Ht F/n - 33"	2411 lb
1) CASTING - HOE MCB-315-R F/G	258 lb
1) 24" x 24" - Conseal CS-102 1.00"	0 lb
1) Hole - 14	0 lb
1) Hole - 20	0 lb
<b>Structure Total:</b>	<b>3235 lb</b>



Position	Elev	Angle	Pipe	Pipe OD	Hole	Connector	Up (")	Ref
Rim	443.25'							
Reducer								
Invert 1	439.69'	0°	10" HDPE	11.4"	14"	Hole 14	5.3"	P1
Invert 2	439.69'	180°	15" HDPE	17.6"	20"	Hole 20	4.7"	P1
Invert 3								
Invert 4								
Invert 5								
Invert 6								
Invert 7								
Invert 8								



**Default - Interior Dimensions**



Submittal Drawing  
 3/24/2026 10:19:03 AM

SUBMITTAL  
 APPROVED BY: