

**Structure ID: Str. 16-17 ST-CI**

**P1 BX2436-08BVF**

**BOX BASE 8inW, 8inF, Variable Ht F/n**

P2) 24" x 36" - CASTING HEIGHT - 6" P1) 24" x 36" - BOX BASE 8inW, 8inF, Variable Ht F/n - 22" 1) CASTING - HOE 525 SET FLAT GRATE (F/G/H) 1) 24" x 36" - Conseal CS-102 1.00" 1) DOGHOUSE INVRTD - 16"x17" 1) DOGHOUSE INVRTD - 14"x15" 1) Hole - 8	0 lb 3300 lb 442 lb 0 lb 0 lb 0 lb 0 lb 0 lb ----- Structure Total: 3742 lb
------------------------------------------------------------------------------------------------------------------------------------------------------------------------------------------------------------------------------------------------------------------------	--------------------------------------------------------------------------------------------------------

Structure Notes:  
 1. PER ASTM C913 SPECIFICATIONS.  
 2. CONCRETE = 4,000 PSI AT 28 DAYS.  
 3. NO INVERT CHANNEL.  
 4. CASTING BY ICAST (HOE 525 FLAT SET)

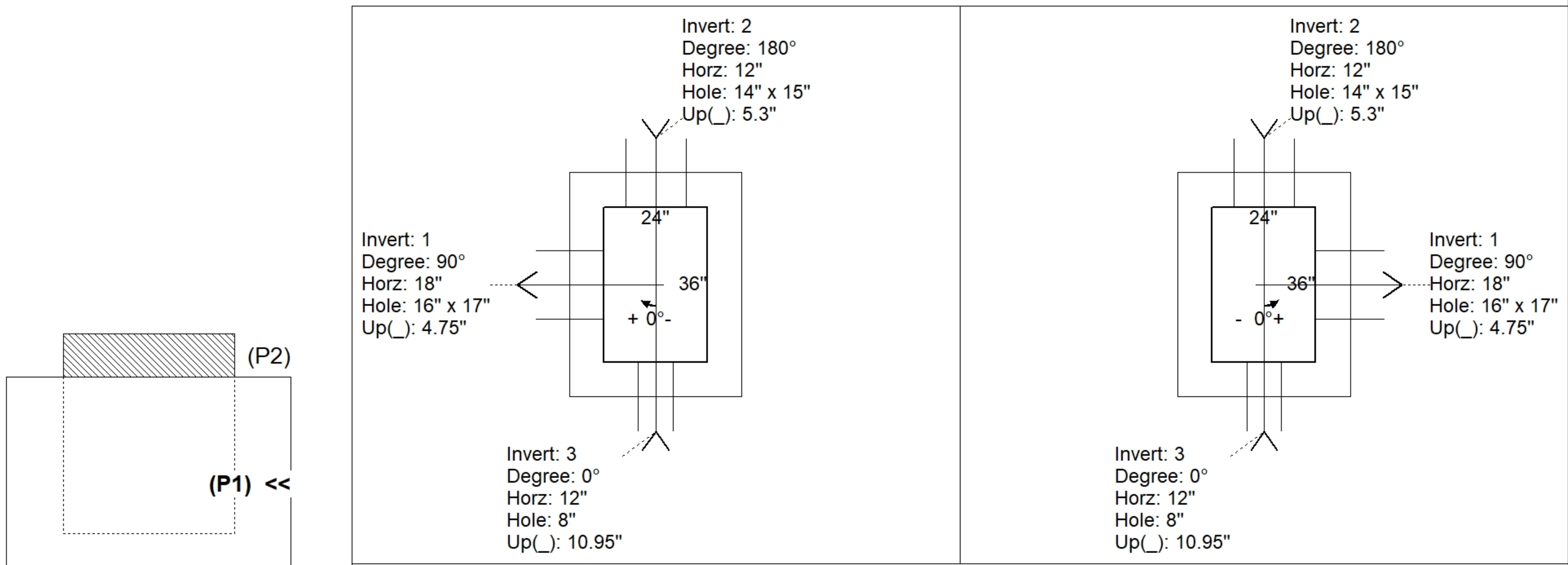
REINFORCING PER ASTM A615 (GRADE 60).  
 - WALLS (As .12) #5 BARS AT 12" C.C.E.W.  
 - FLOOR (As .12) #5 BARS AT 12" C.C.E.W.

Rim: 444.75'    Rim to Invert: 1.89'    Slack: 0.68"    Sump: 6"    Step Position:

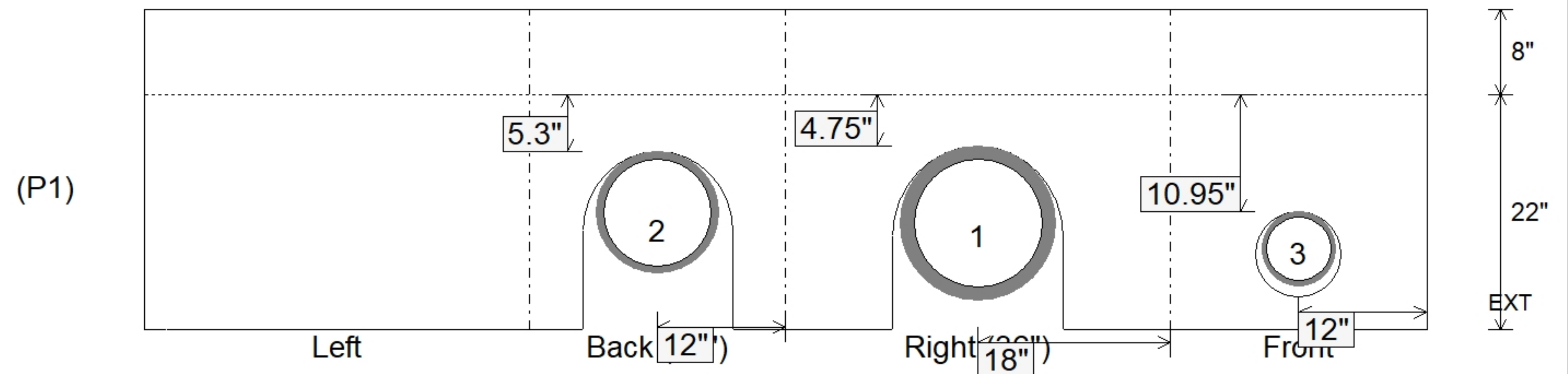
Position	Elev	Angle	Ext. (cw)	Pipe	Pipe OD	Connector	Hole	Horz Size	Up ( )	Offset
Invert 1	442.86'	90°	26"	12" HDPE	14.5"	DOGHOUSE INVRTD 16"x17"	16" x 17"	16"	4.75"	0"
Invert 2	442.86'	180°	20"	10" HDPE	11.4"	DOGHOUSE INVRTD 14"x15"	14" x 15"	14"	5.3"	0"
Invert 3	443.31'	0°	20"	6" HDPE (perf pipe)	6.9"	Hole 8	8"	8"	10.95"	0"
Invert 4										
Invert 5										
Invert 6										
Invert 7										
Invert 8										

RIGHT-SIDE UP VIEW (int. dimensions)

UPSIDE-DOWN VIEW (int. dimensions)



INSIDE WALL DIMENSIONS



Coating (Int): Coating (Ext):	Seam Up: Flat Seam Dn: n/a	Wall Thickness: 8" Floor Height: 8"	Height (Int): 22" Height (Ext): 30"	Weight (Net): 3300 lb Volume (Net): 0.84cu.yd
----------------------------------	-------------------------------	----------------------------------------	----------------------------------------	--------------------------------------------------