

Structure ID: Str. 11-12 ST-CI

P1 BX2436-08BVF

BOX BASE 8inW, 8inF, Variable Ht F/n

| | |
|---|--|
| P2) 24" x 36" - CASTING HEIGHT - 6" P1) 24" x 36" - BOX BASE 8inW, 8inF, Variable Ht F/n - 47" 1) CASTING - HOE 525 SET FLAT GRATE (F/G/H) 1) 24" x 36" - Conseal CS-102 1.00" 2) Hole - 16 1) Hole - 24 1) Hole - 20 | 0 lb 5399 lb 442 lb 0 lb 0 lb 0 lb 0 lb 0 lb ----- Structure Total: 5841 lb |
|---|--|

Structure Notes:

1. PER ASTM C913 SPECIFICATIONS.
2. CONCRETE = 4,000 PSI AT 28 DAYS.
3. NO INVERT CHANNEL.
4. CASTING BY ICAST (HOE 525 FLAT SET)

REINFORCING PER ASTM A615 (GRADE 60).

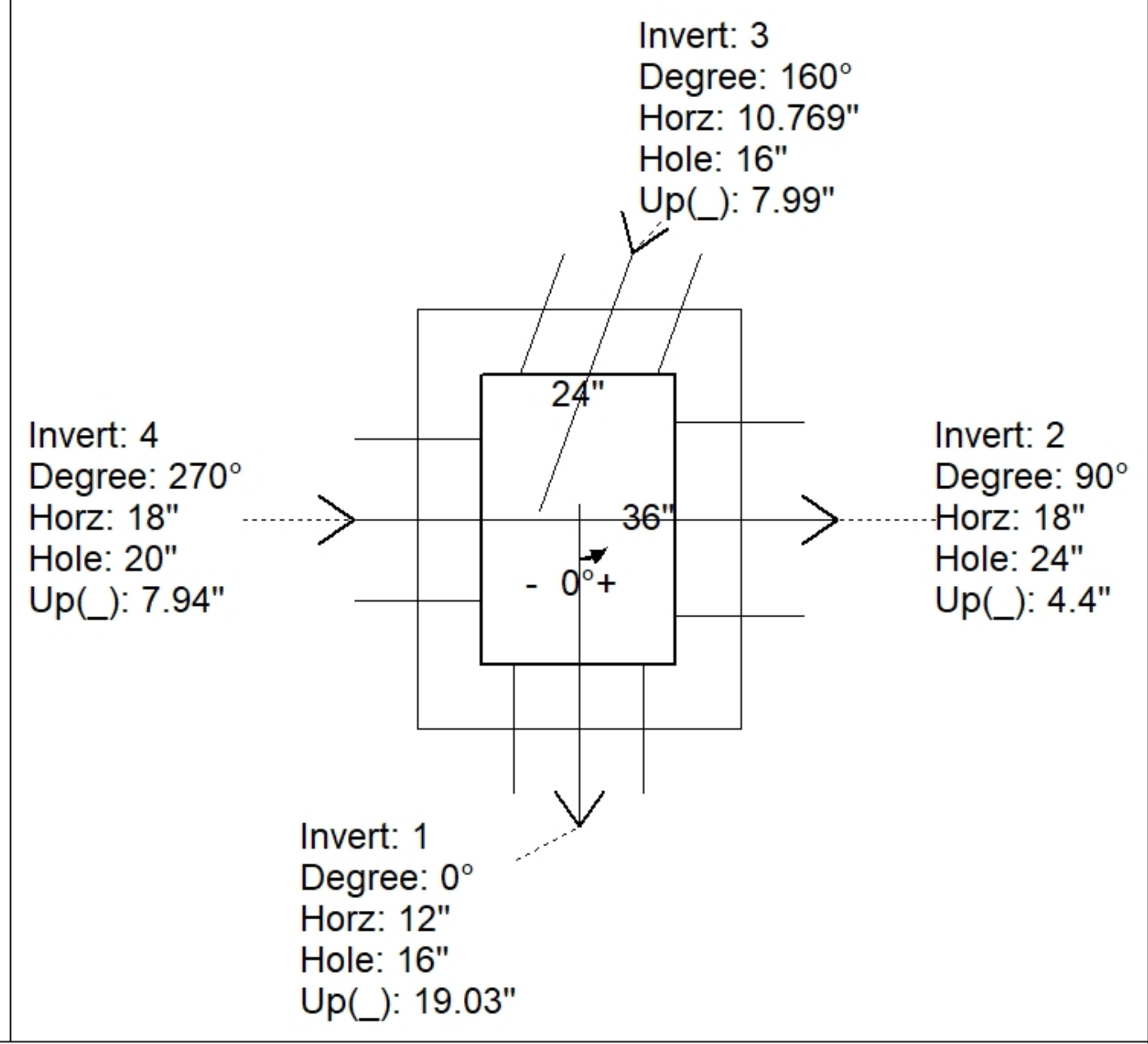
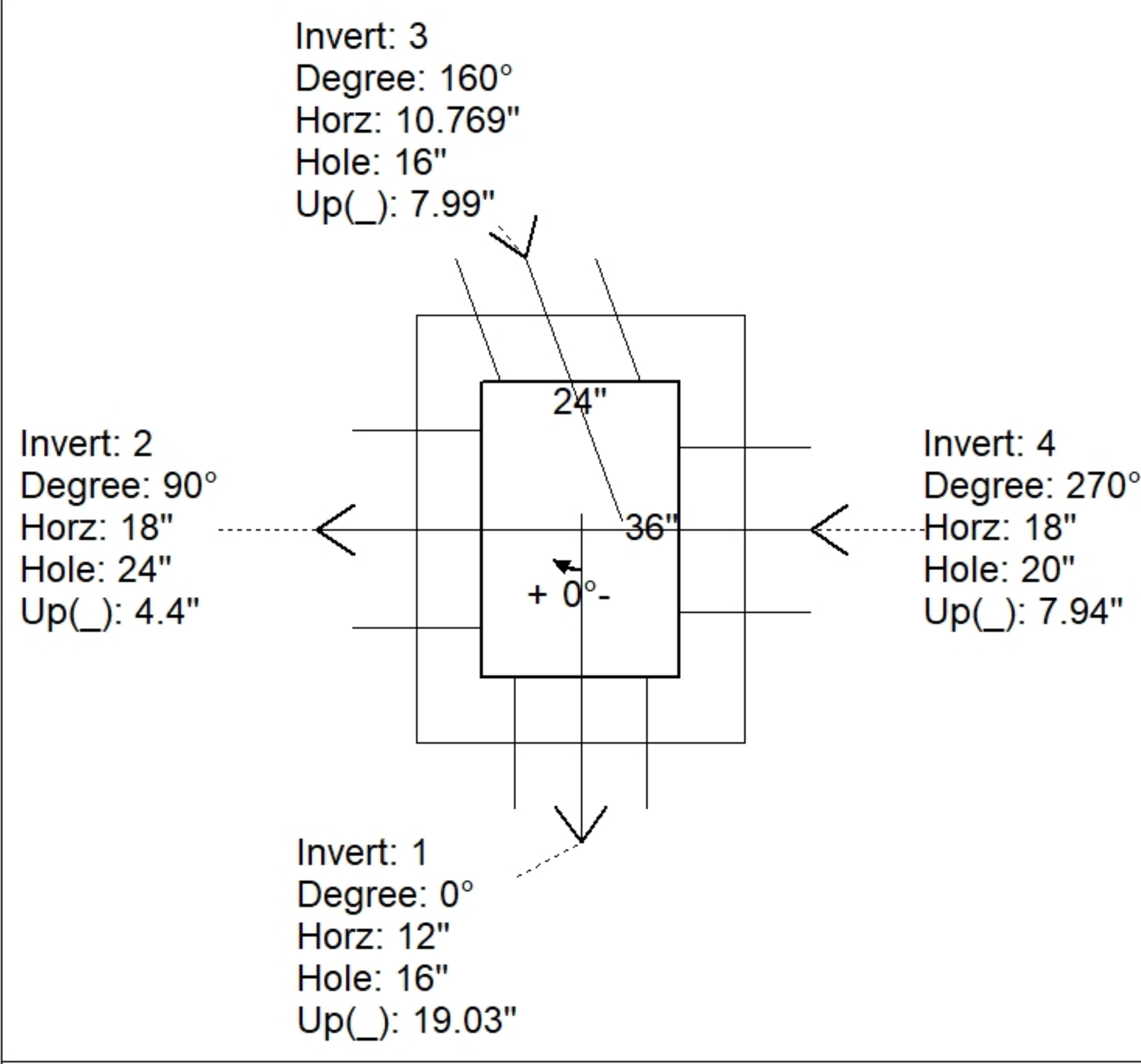
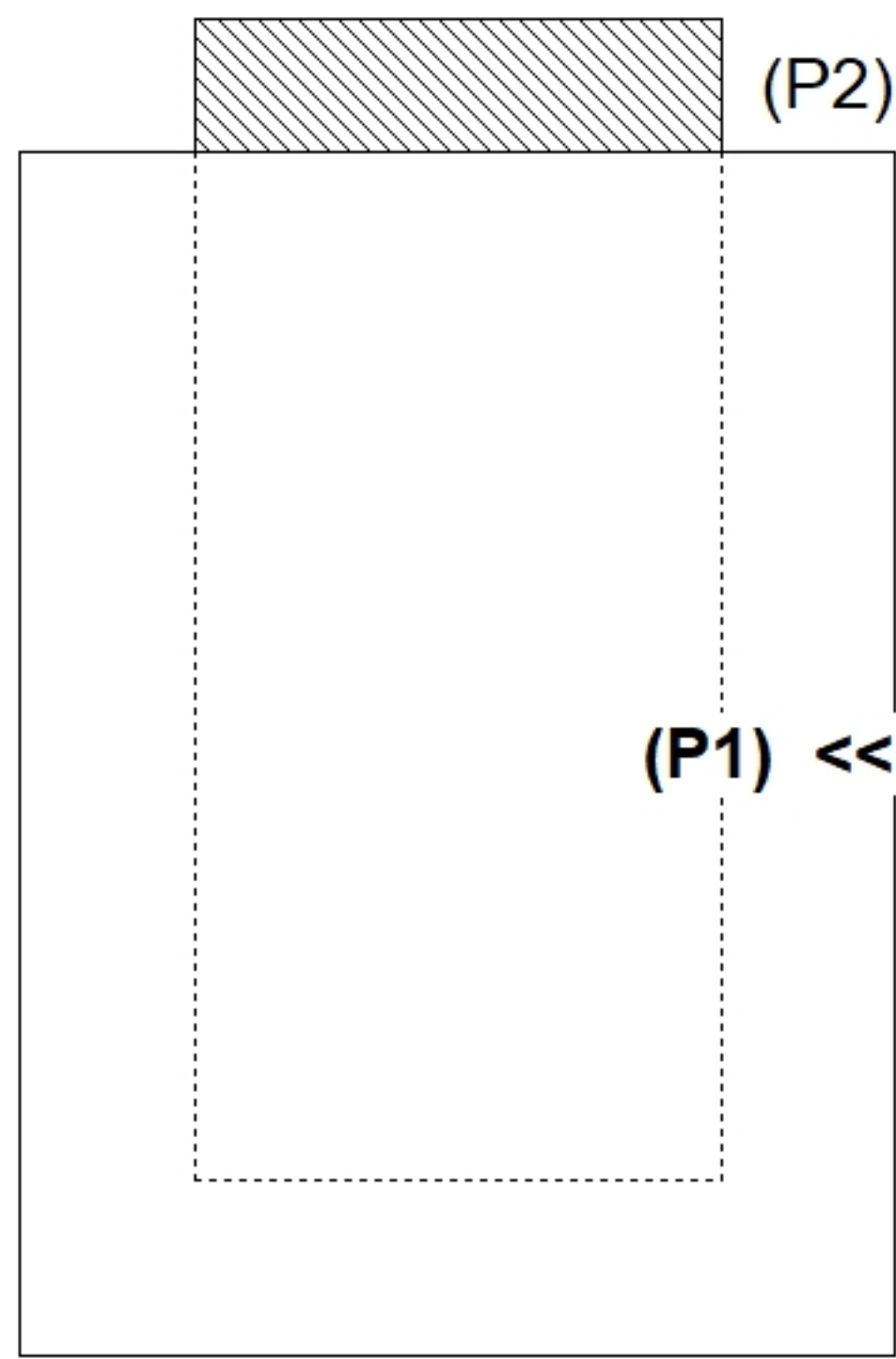
- WALLS (As .12) #5 BARS AT 12" C.C.E.W.
- FLOOR (As .12) #5 BARS AT 12" C.C.E.W.

Rim: 444.55' Rim to Invert: 3.99' Slack: 0.88" Sump: 6" Step Position:

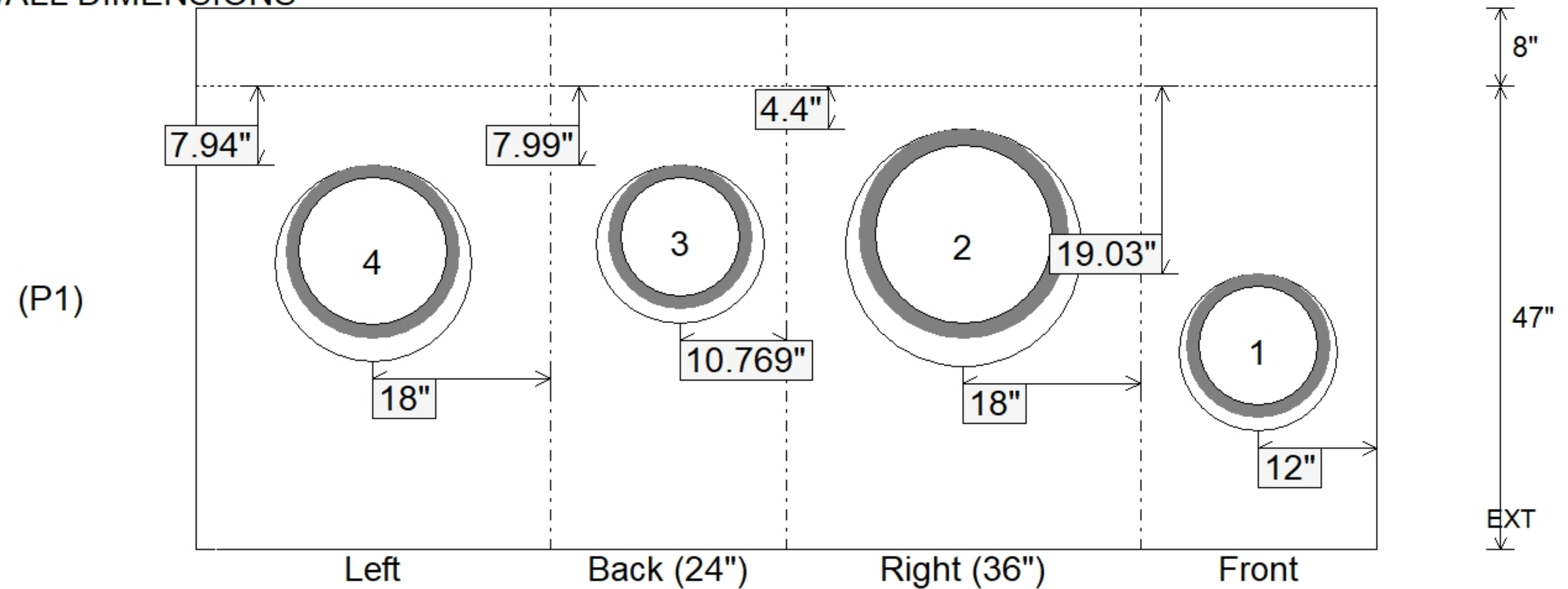
| Position | Elev | Angle | Ext. (cw) | Pipe | Pipe OD | Connector | Hole | Horz Size | Up () | Offset |
|----------|---------|-------|-----------|----------|---------|-----------|------|-----------|--------|--------|
| Invert 1 | 441.75' | 0° | 20" | 12" HDPE | 14.5" | Hole 16 | 16" | 16" | 19.03" | 0" |
| Invert 2 | 440.56' | 90° | 26" | 18" HDPE | 21.2" | Hole 24 | 24" | 24" | 4.4" | 0" |
| Invert 3 | 440.83' | 160° | 15.858" | 12" HDPE | 14.5" | Hole 16 | 16" | 17.027" | 7.99" | 5" |
| Invert 4 | 440.83' | 270° | 26" | 15" HDPE | 17.6" | Hole 20 | 20" | 20" | 7.94" | 0" |
| Invert 5 | | | | | | | | | | |
| Invert 6 | | | | | | | | | | |
| Invert 7 | | | | | | | | | | |
| Invert 8 | | | | | | | | | | |

RIGHT-SIDE UP VIEW (int. dimensions)

UPSIDE-DOWN VIEW (int. dimensions)



INSIDE WALL DIMENSIONS



| | | | | |
|----------------------------------|-------------------------------|--|--|--|
| Coating (Int): Coating (Ext): | Seam Up: Flat Seam Dn: n/a | Wall Thickness: 8" Floor Height: 8" | Height (Int): 47" Height (Ext): 55" | Weight (Net): 5399 lb Volume (Net): 1.38cu.yd |
|----------------------------------|-------------------------------|--|--|--|