

**Job Name: 26-1301 WCSC New Pre-K Classroom Addition**  
**Job Location: Newburgh, IN**  
**Contractor: Hahn Excavating, Inc.**

PC: E. Bradley  
 TECH: S. Felletter  
 Plant: Beaver Dam



Structure ID: **Str. 1-2 ST-MH**

Spec: Storm  
 Type: STM.MH  
 Size: 48"

Rim: 445.5'  
 Invert: 443.48'  
 Rim to Invert: 2.02'

Sump: 6"  
 Floor (Top): 442.98'  
 Floor Height: 6"

Floor (Bot): 442.48'  
 Overall Height: 3'  
 Slack: 0.24"

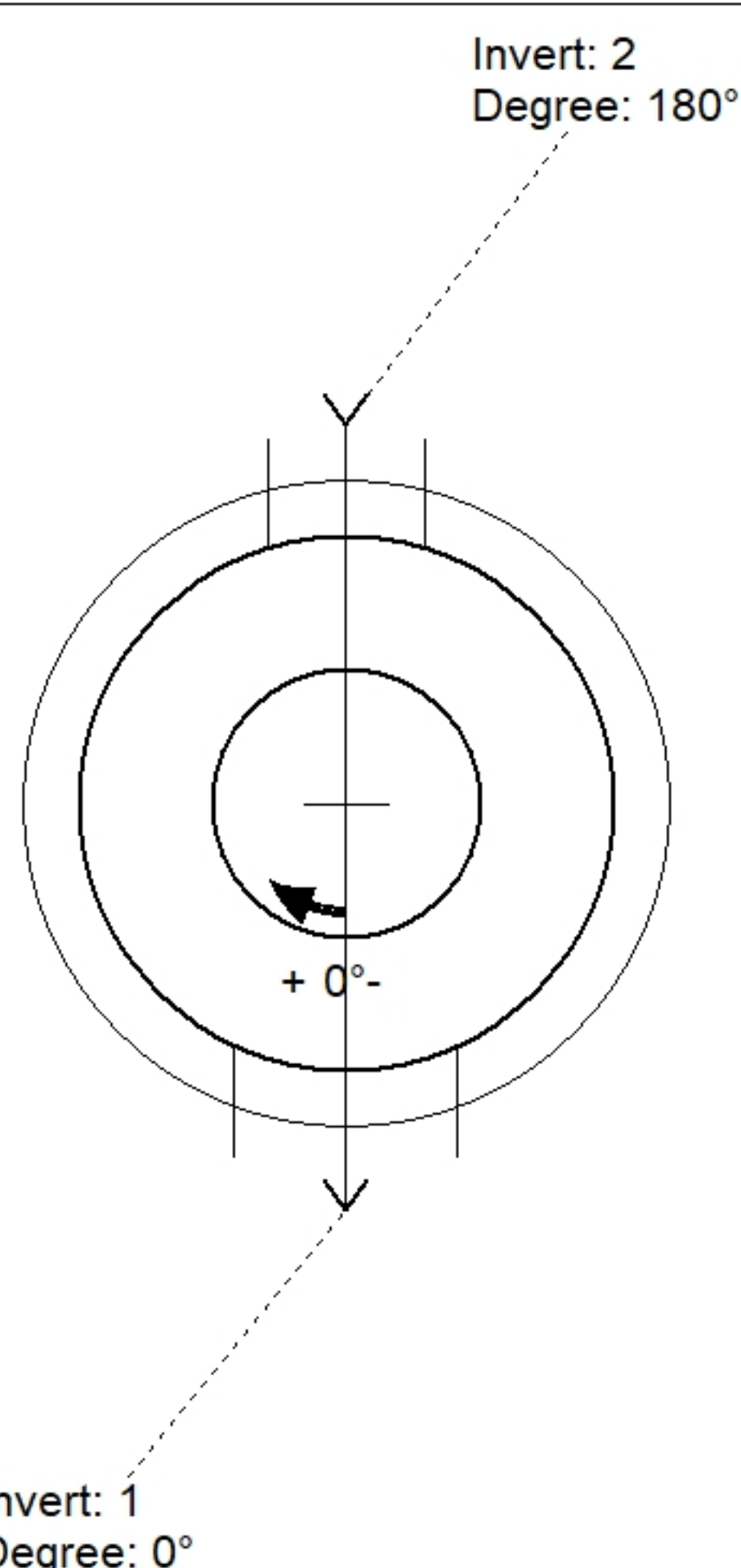
Structure Notes:

1. PER ASTM C478 SPECIFICATIONS.
2. CONCRETE = 4,000 PSI AT 28 DAYS.
3. CASTING BY ICAST (HOE MCB-295-BH). CAST-IN.

REINFORCING PER ASTM A615 (GRADE 60).  
 - TOP SLAB (As .62) #5 BARS AT 6" C.C.E.W..  
 - RISER/WALLS (As .12)  
 - FLOOR (As .31) #5 BARS AT 12" C.C.E.W.

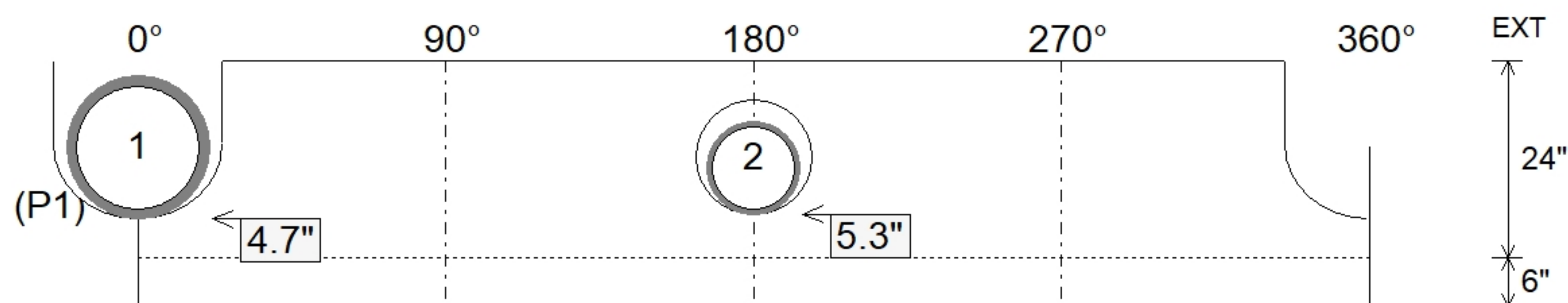
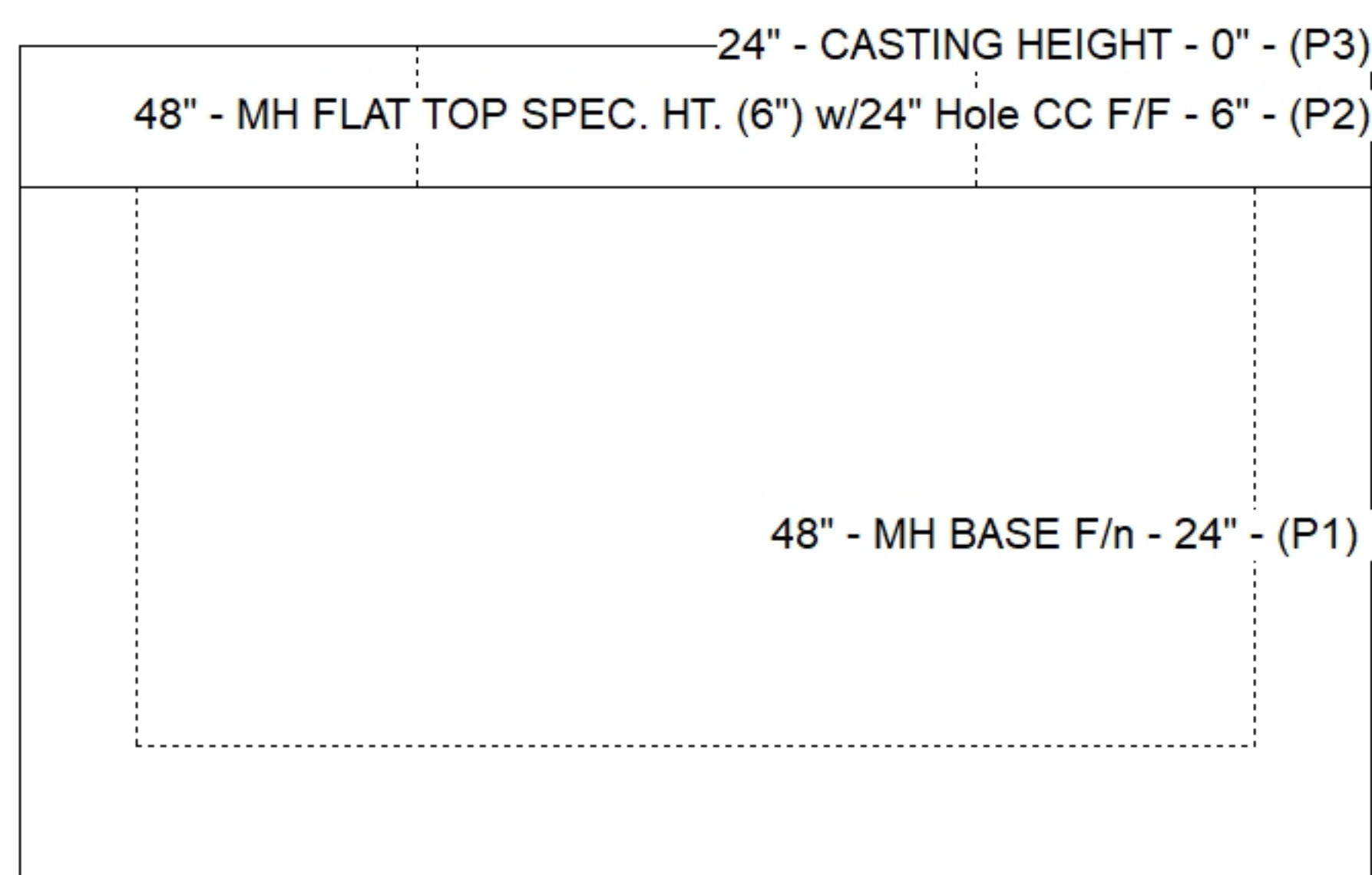
STRUCTURE SUMMARY:

P3) 24" - CASTING HEIGHT - 0"	0 lb
P2) 48" - MH FLAT TOP SPEC. HT. (6") w/24" Hole CC F/F - 6"	1102 lb
P1) 48" - MH BASE F/n - 24"	2792 lb
1) This Structure Includes a Cast-in Item	0 lb
1) CASTING - HOE MCS-295BH F/G	123 lb
1) 48" - Conseal CS-102 1.00"	0 lb
1) DOGHOUSE INVRTD - 20"x18"	0 lb
1) Hole - 14	0 lb
<b>Structure Total:</b>	<b>4017 lb</b>



Position	Elev	Angle	Pipe	Pipe OD	Hole	Connector	Up ( )	Ref
Rim	445.5'							
Reducer								
Invert 1	443.48'	0°	15" HDPE	17.6"	20" x 18"	DOGHOUSE INVRTD 20"x18"	4.7"	P1
Invert 2	443.48'	180°	10" HDPE	11.4"	14"	Hole 14	5.3"	P1
Invert 3								
Invert 4								
Invert 5								
Invert 6								
Invert 7								
Invert 8								

**Default - Interior Dimensions**



Submittal Drawing  
 3/24/2026 10:18:54 AM

SUBMITTAL  
 APPROVED BY: