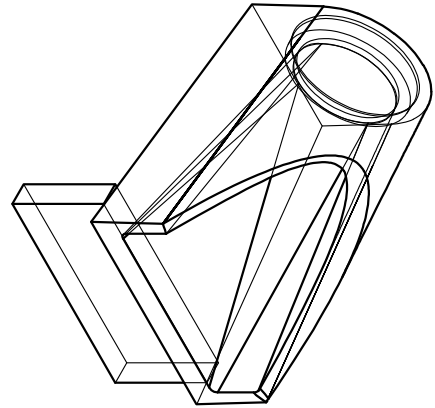




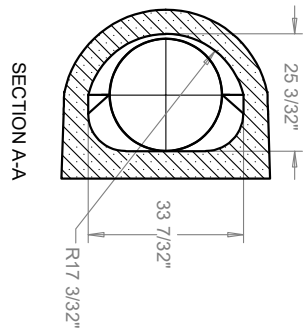
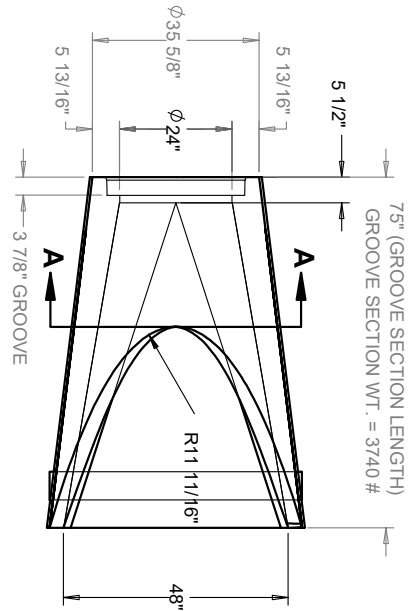
Structure ID: 24 FES-20 FES

P1 FES24B

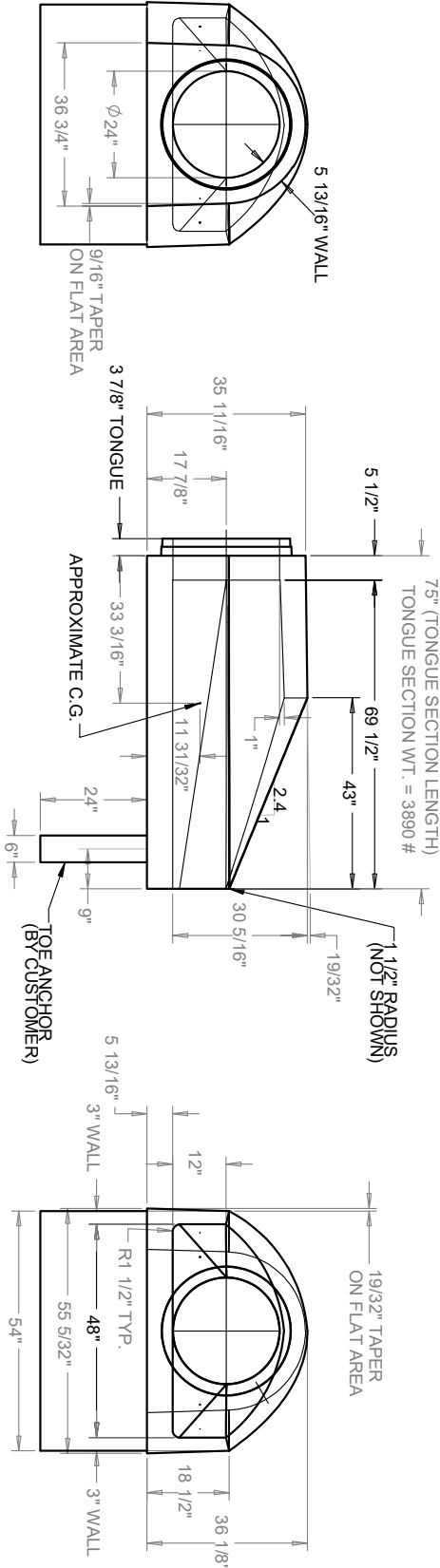
24" - FLARED END SECTION BELL (OUTLET) F/F



ISOMETRIC VIEW



One tongue required



- GENERAL NOTES:**
1. FLARED END SECTION IS MANUFACTURED AND TESTED IN ACCORDANCE WITH ASTM C-76 OR ASTM C-695 AND AASHTO M-170 SPECIFICATIONS.
 2. ALL PIPE JOINTS MEET ASTM C-443.
 3. ALL REINFORCED CONCRETE PIPE PER ASTM C-1429 STANDARD PRACTICE FOR INSTALLATION OF PRECAST CONCRETE PIPE.
 4. FLARED END SECTION REINFORCING IS IN ACCORDANCE WITH ASTM C-76.
 5. WEIGHT SHOWN IS CALCULATED USING 150 LBS. PER CUBIC FT. UNIT WEIGHT OF CONCRETE.



INFRASTRUCTURE PRECAST, INC.
 981 WEST 7TH ST., BEAVER DAM, KY. 42320
 PHONE: (270) 363-2238, FAX: (270) 298-7424
 DRAWING DATE: SEPTEMBER 2, 2022
 DRAWING NAME: 24-FES-TYPE 2
 SCALE: NTS
 CATALOG I.D.: 24-RCF-FES
 WEB ADDRESS: WWW.ICASTINC.COM

**24"Ø REINFORCED
 CONCRETE FLARED
 END SECTION
 (TYPE 2)**

THIS DRAWING IS THE PROPERTY OF INFRASTRUCTURE PRECAST, INC. ANY USE OR DUPLICATION OF THIS DRAWING WITHOUT PRIOR AUTHORIZATION IS STRICTLY PROHIBITED.