

Job Name: 26-1290 ADS Anchor Project
Job Location: Bowling Green, KY
Contractor: ADS Advances Drainage Systems, Inc.

PC: C. Goff
 TECH: S. Felletter
 Plant: Beaver Dam



Structure ID: **AR6PC-2**
 Spec: Storm
 Type: STM.MH
 Size: 72"

Rim: 529'
 Invert: 523.38'
 Rim to Invert: 5.62'

Sump: 81"
 Floor (Top): 516.63'
 Floor Height: 8"

Floor (Bot): 515.963'
 Overall Height: 13'
 Slack: 0.44"

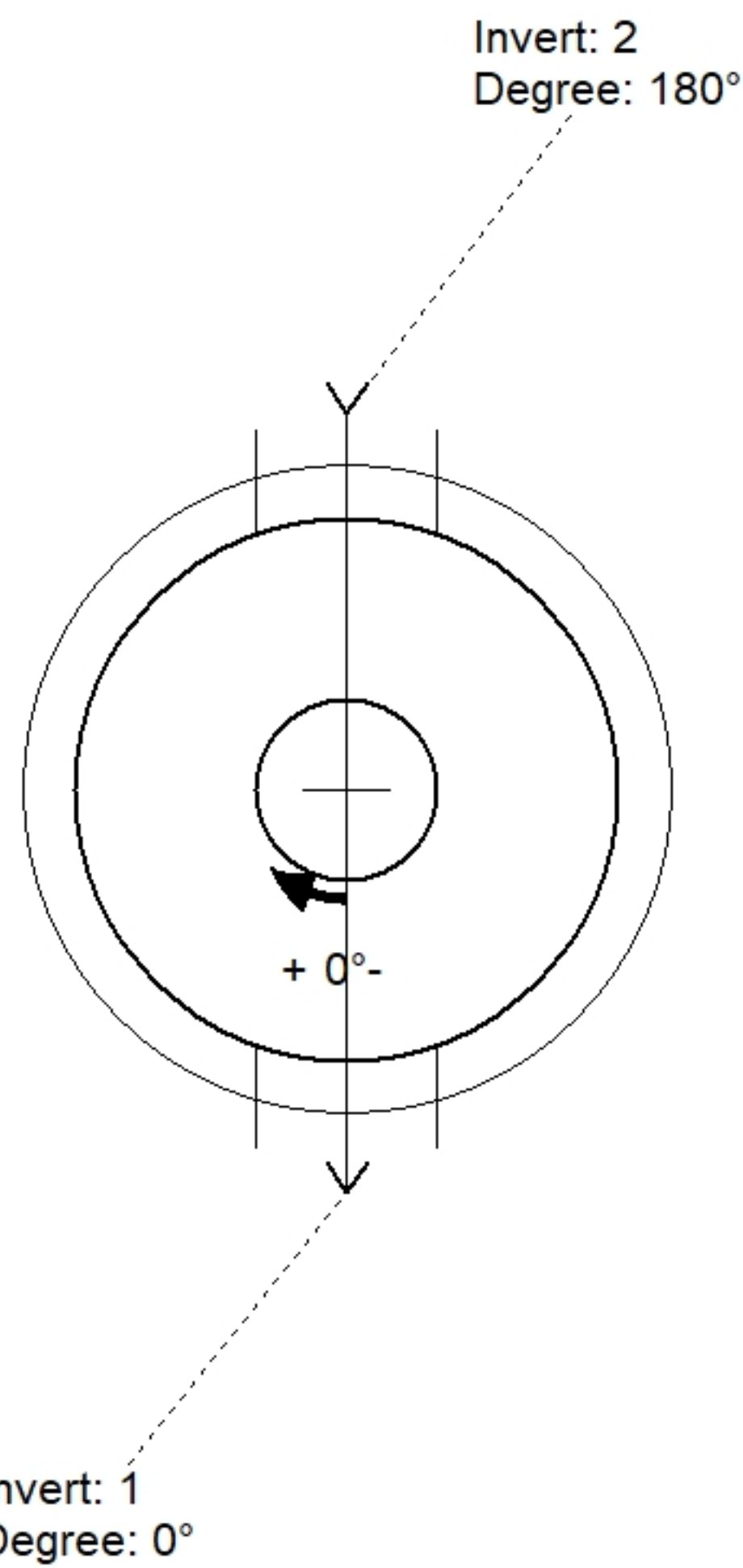
Structure Notes:

1. CASTING BY ICAST (HOE MC-375 "STORM")
2. PER ASTM C478 SPECIFICATIONS.
3. CONCRETE = 4,000 PSI AT 28 DAYS.
4. LIFTING ANCHORS TO BE INSTALLED ON THE OUTSIDE OF THE STRUCTURE.

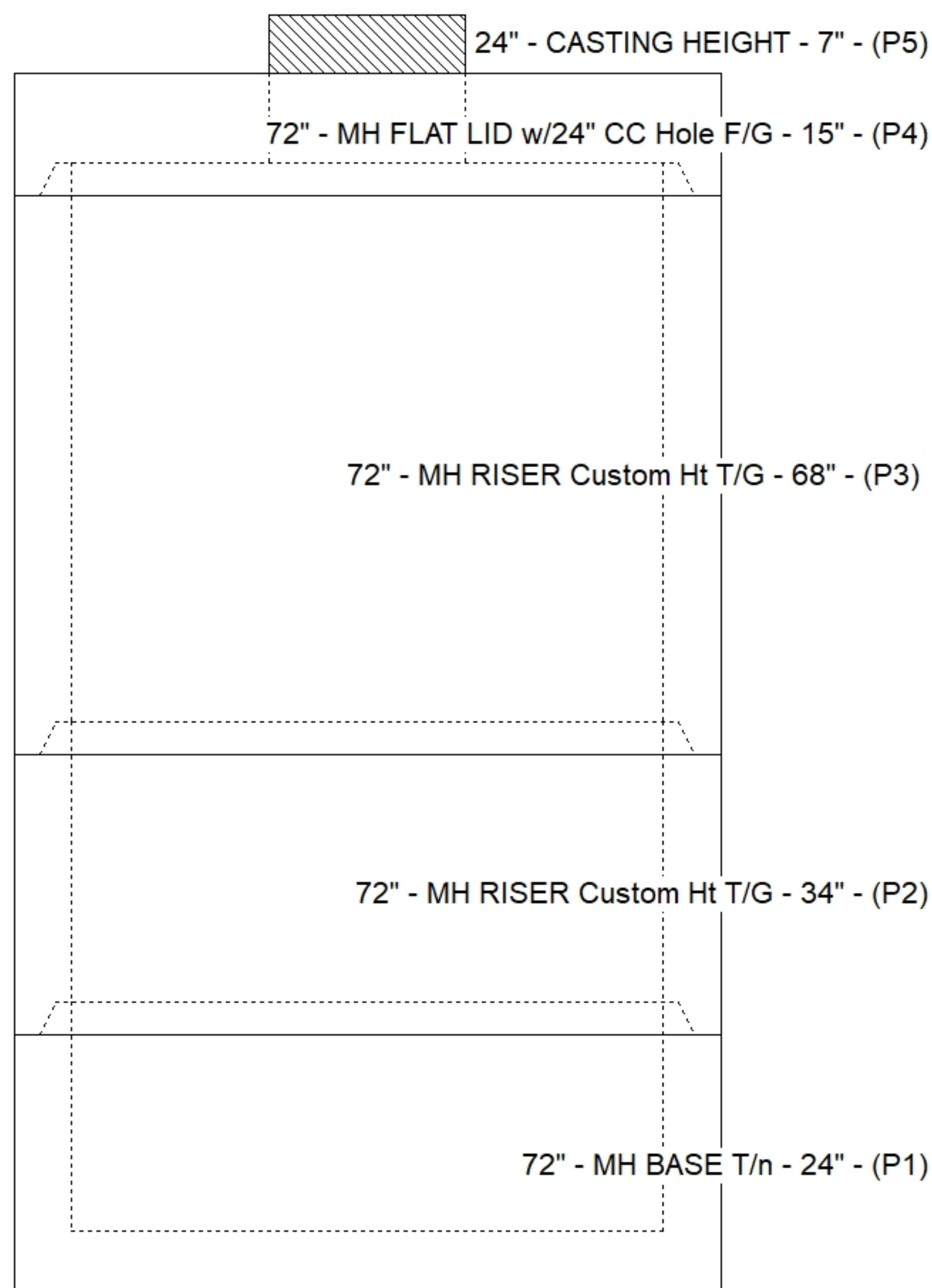
REINFORCING PER ASTM A615 (GRADE 60).
 - TOP SLAB (As .62) #5 BARS AT 6" C.C.E.W..
 - RISER/WALLS (As .18)
 - FLOOR (As .37) #5 BARS AT 10" C.C.E.W.

STRUCTURE SUMMARY:

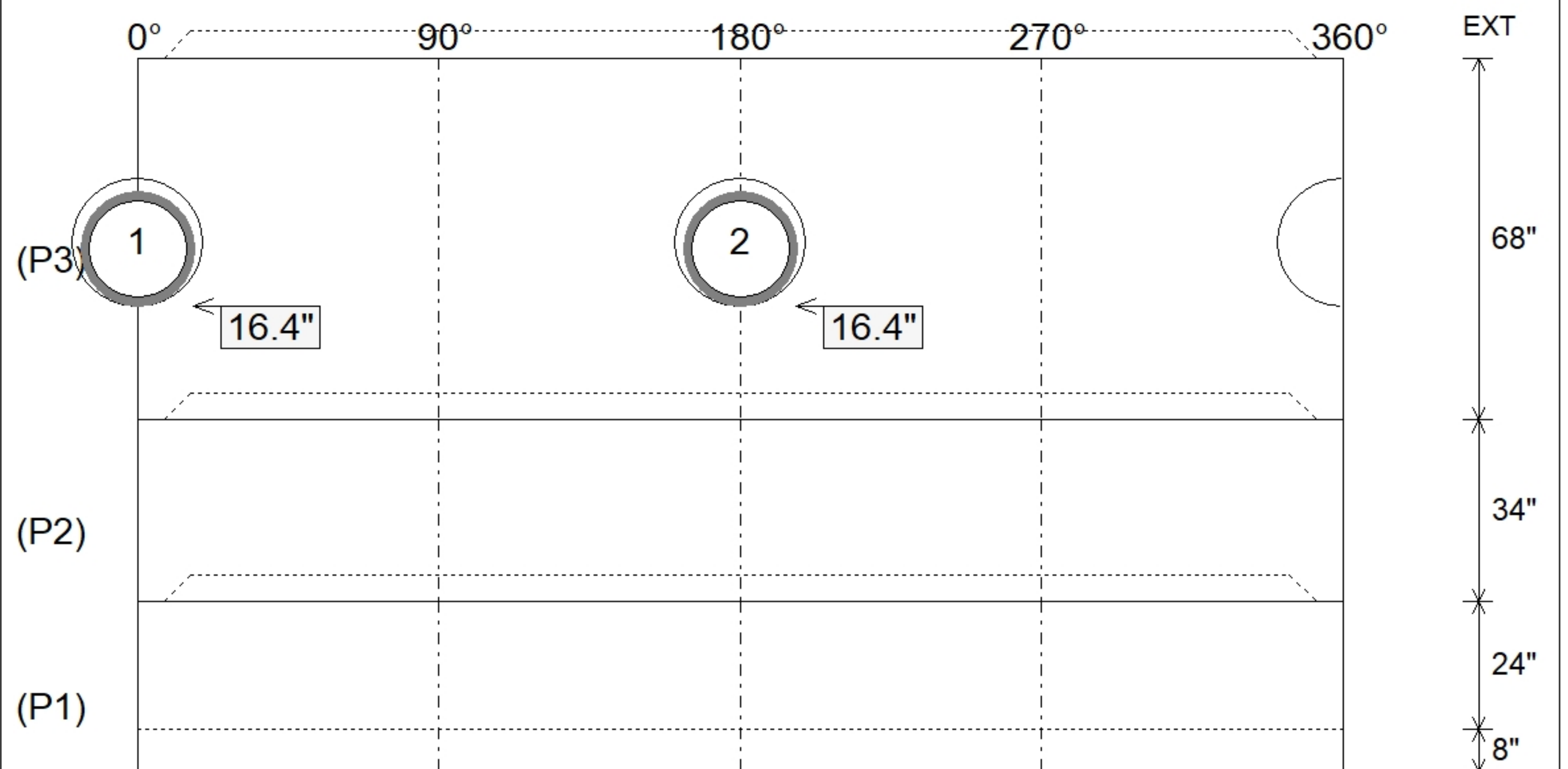
P5) 24" - CASTING HEIGHT - 7"	0 lb
P4) 72" - MH FLAT LID w/24" CC Hole F/G - 15"	5097 lb
P3) 72" - MH RISER Custom Ht T/G - 68"	9373 lb
P2) 72" - MH RISER Custom Ht T/G - 34"	4957 lb
P1) 72" - MH BASE T/n - 24"	7398 lb
1) CASTING - HOE MC-375 F/C Storm	271 lb
3) 72" - Conseal CS-102 1.00" (Double)	0 lb
2) Hole - 24	0 lb
Structure Total:	27096 lb



Position	Elev	Angle	Pipe	Pipe OD	Hole	Connector	Up (")	Ref
Rim	529'							
Reducer								
Invert 1	523.38'	0°	18" HP STORM	21.4"	24"	Hole 24	16.4"	P3
Invert 2	523.38'	180°	18" HP STORM	21.4"	24"	Hole 24	16.4"	P3
Invert 3								
Invert 4								
Invert 5								
Invert 6								
Invert 7								
Invert 8								



Default - Interior Dimensions



Submittal Drawing
 2/17/2026 1:53:34 PM

SUBMITTAL
 APPROVED BY: