

Structure ID: AR6PC-2

P2 MH072RSVF

MH RISER Custom Ht T/G

P5) 24" - CASTING HEIGHT - 7" P4) 72" - MH FLAT LID w/24" CC Hole F/G - 15" P3) 72" - MH RISER Custom Ht T/G - 68" P2) 72" - MH RISER Custom Ht T/G - 34" P1) 72" - MH BASE T/n - 24" 1) CASTING - HOE MC-375 F/C Storm 3) 72" - Conseal CS-102 1.00" (Double) 2) Hole - 24	0 lb 5097 lb 9373 lb 4957 lb 7398 lb 271 lb 0 lb 0 lb ----- Structure Total: 27096 lb
--------------------------------------------------------------------------------------------------------------------------------------------------------------------------------------------------------------------------------------------------------------------------------------------------	------------------------------------------------------------------------------------------------------------------

Structure Notes:

1. CASTING BY ICAST (HOE MC-375 "STORM")
2. PER ASTM C478 SPECIFICATIONS.
3. CONCRETE = 4,000 PSI AT 28 DAYS.
4. LIFTING ANCHORS TO BE INSTALLED ON THE OUTSIDE OF THE STRUCTURE.

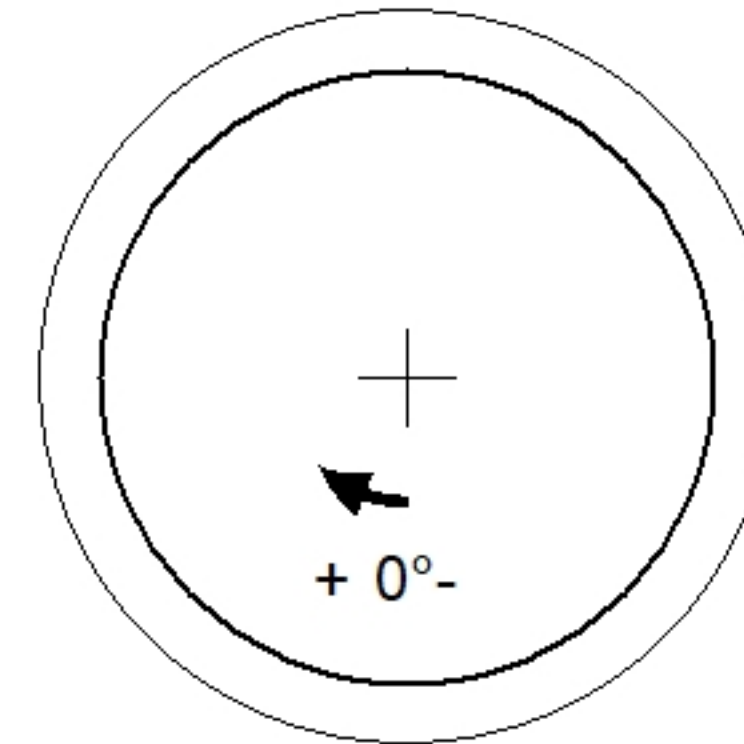
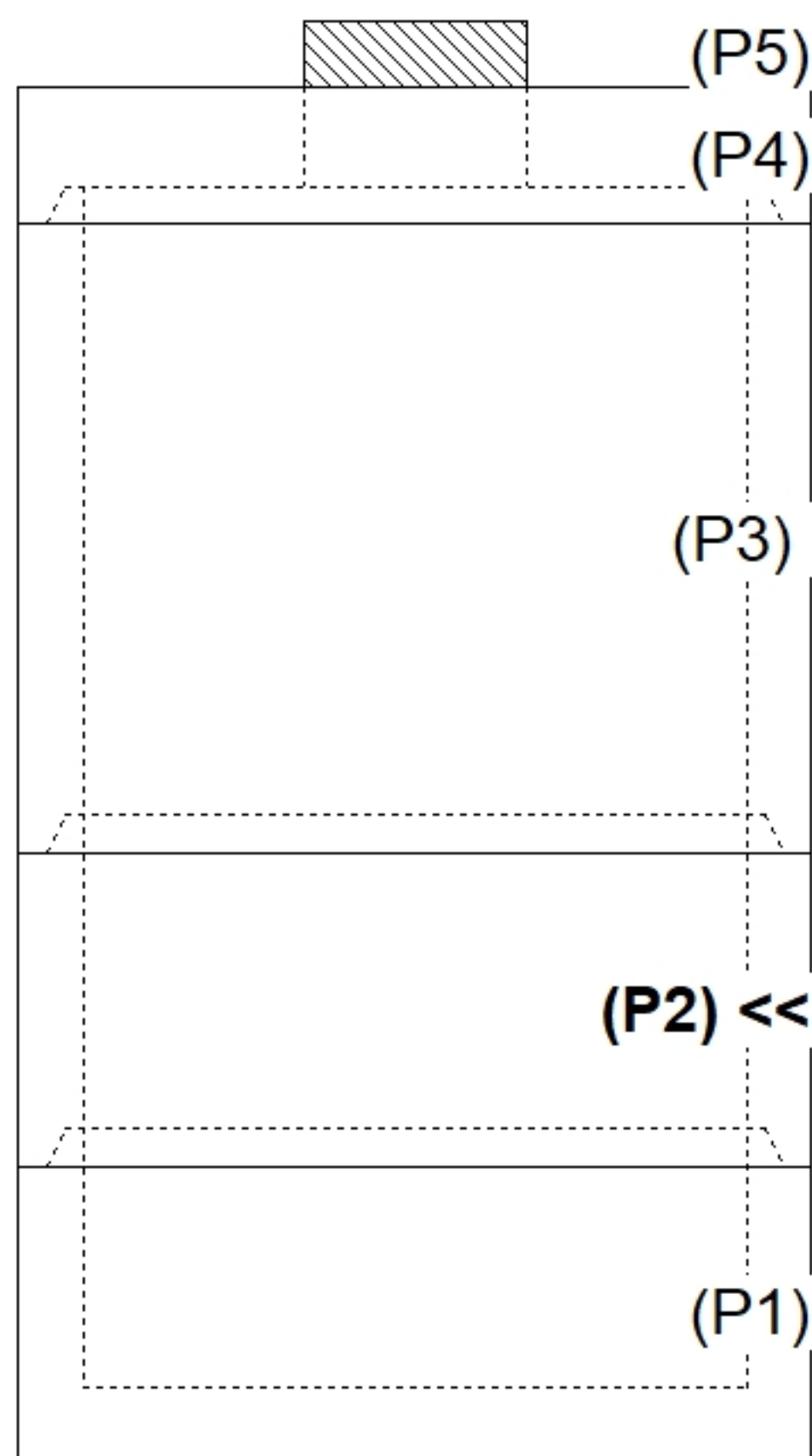
REINFORCING PER ASTM A615 (GRADE 60).

- TOP SLAB (As .62) #5 BARS AT 6" C.C.E.W..
- RISER/WALLS (As .18)
- FLOOR (As .37) #5 BARS AT 10" C.C.E.W.

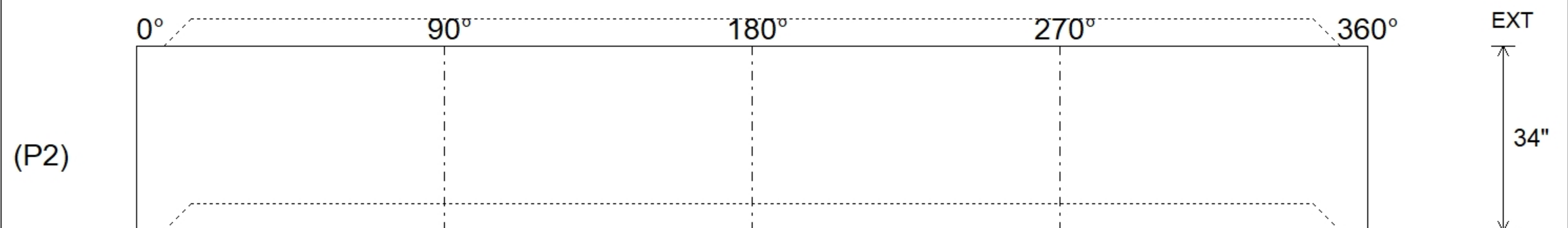
Rim: 529' Rim to Invert: 5.62' Slack: 0.44" Sump: 81" Step Position:

Position	Elev	Angle	Ext. (cw)	Pipe	Pipe OD	Connector	Hole	Horz Size	Up (L)	Offset
Invert 1										
Invert 2										
Invert 3										
Invert 4										
Invert 5										
Invert 6										
Invert 7										
Invert 8										

RIGHT-SIDE UP VIEW (int. dimensions)



INSIDE WALL DIMENSIONS



Coating (Int):	Seam Up: Tongue Seam Dn: Groove	Wall Thickness: 7" Floor Height: 0"	Height (Int): 34" Height (Ext): 34"
Coating (Ext):			Weight (Net): 4957 lb Volume (Net): 1.27cu.yd