

Job Name: 26-1289 876242 Mazak Foundation
Job Location: Elsmere, KY
Contractor: Contech Engineering Solutions

PC: T. Sekula
 TECH: S. Felletter
 Plant: Beaver Dam



Structure ID: 15-CS-4

Spec: Storm-Pipe Centered
 Type: STM.MH
 Size: 48"

Rim: 856.51'
 Invert: 848.89'
 Rim to Invert: 7.62'

Sump: 51"
 Floor (Top): 844.64'
 Floor Height: 6"

Floor (Bot): 844.14'
 Overall Height: 11.667'
 Slack: 8.44"

Structure Notes:
 4" CASTING BY OTHERS

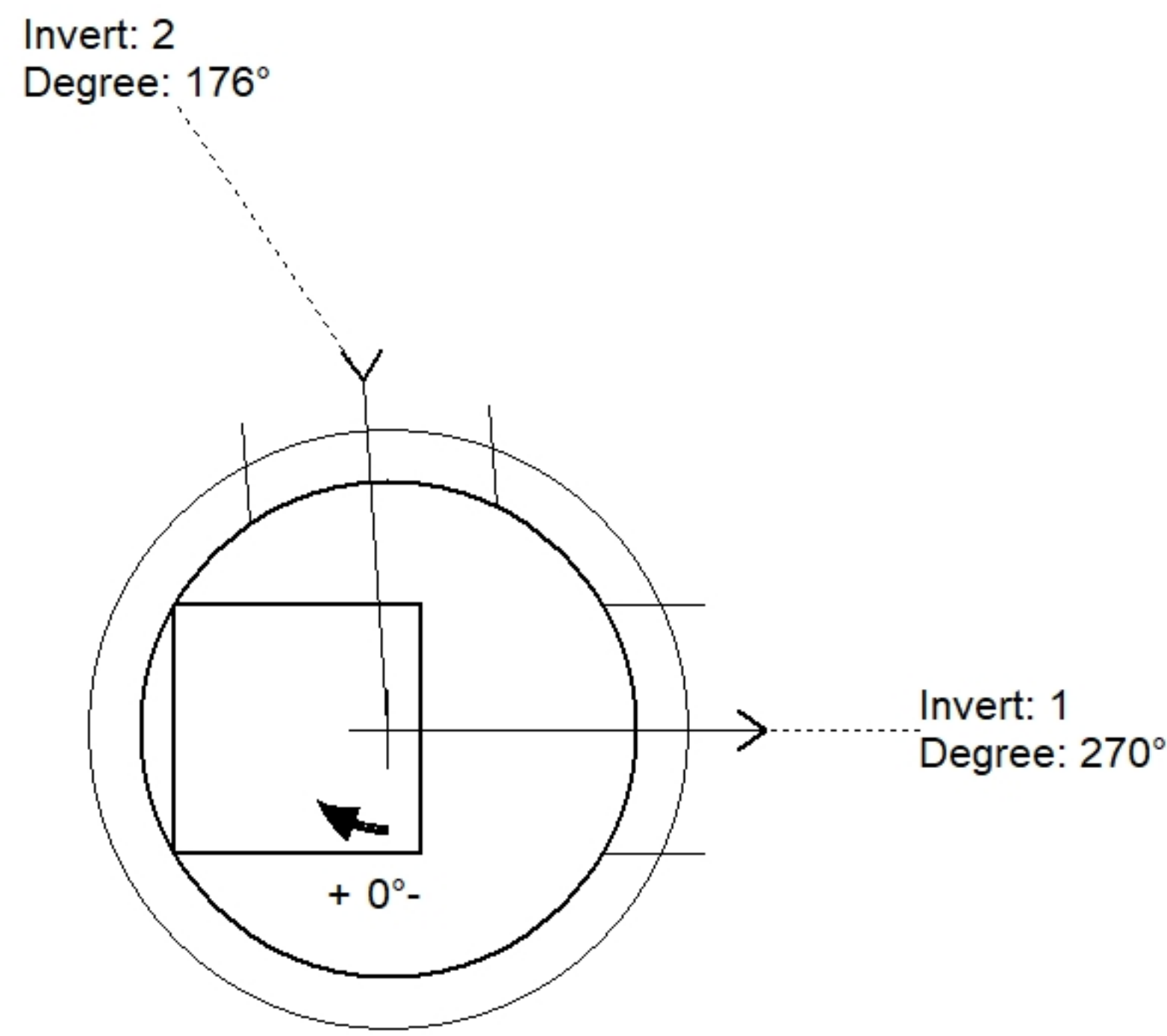
LIFTING ANCHORS TO BE INSTALLED
 ON THE OUTSIDE OF THE STRUCTURE

ICAST TO INSTALL THE INTERNALS

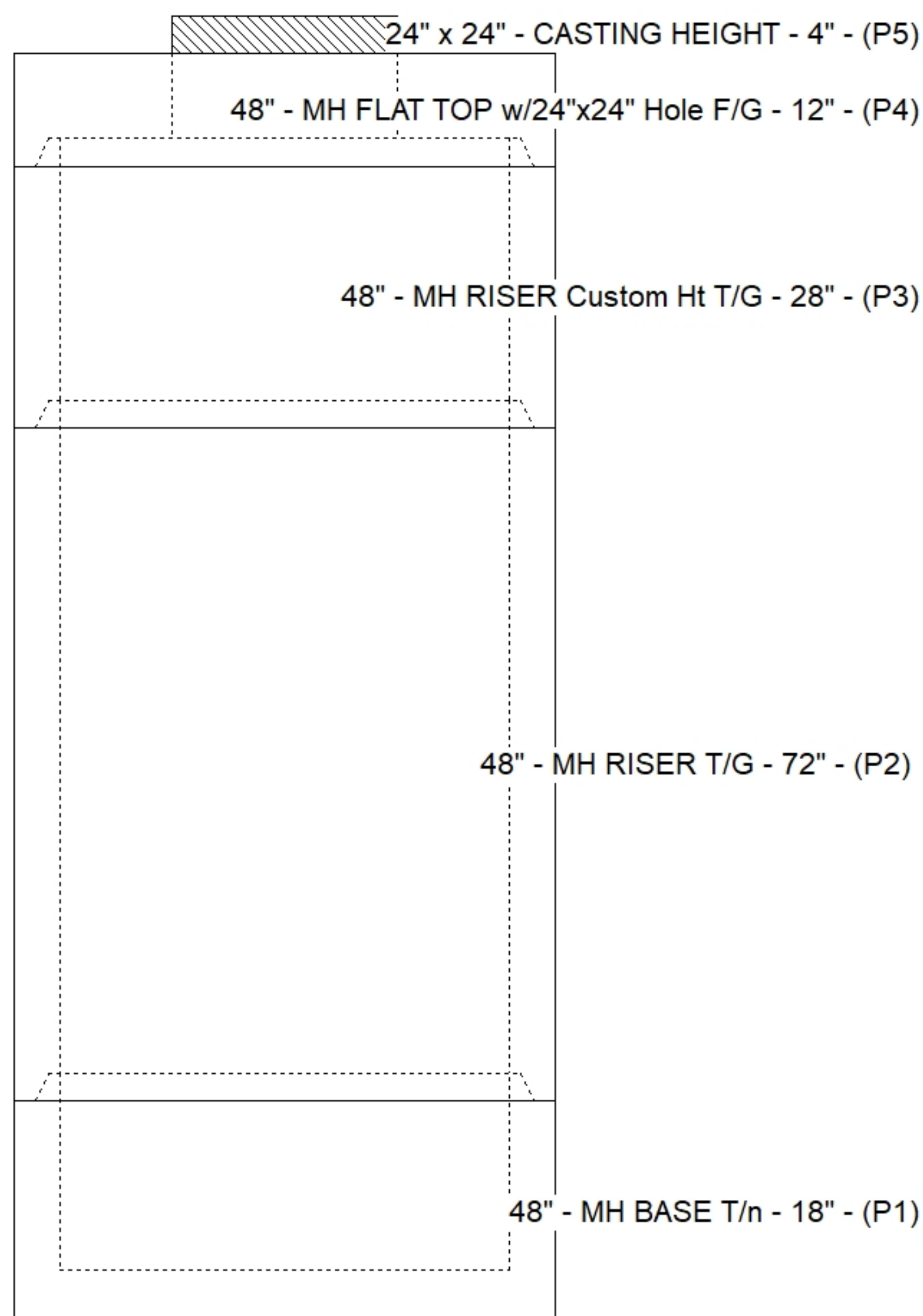
CONTECH'S LOGO AS WELL AS THE
 INLET AND OUTLET MUST BE
 STENCILED ONTO THE STRUCTURE

STRUCTURE SUMMARY:

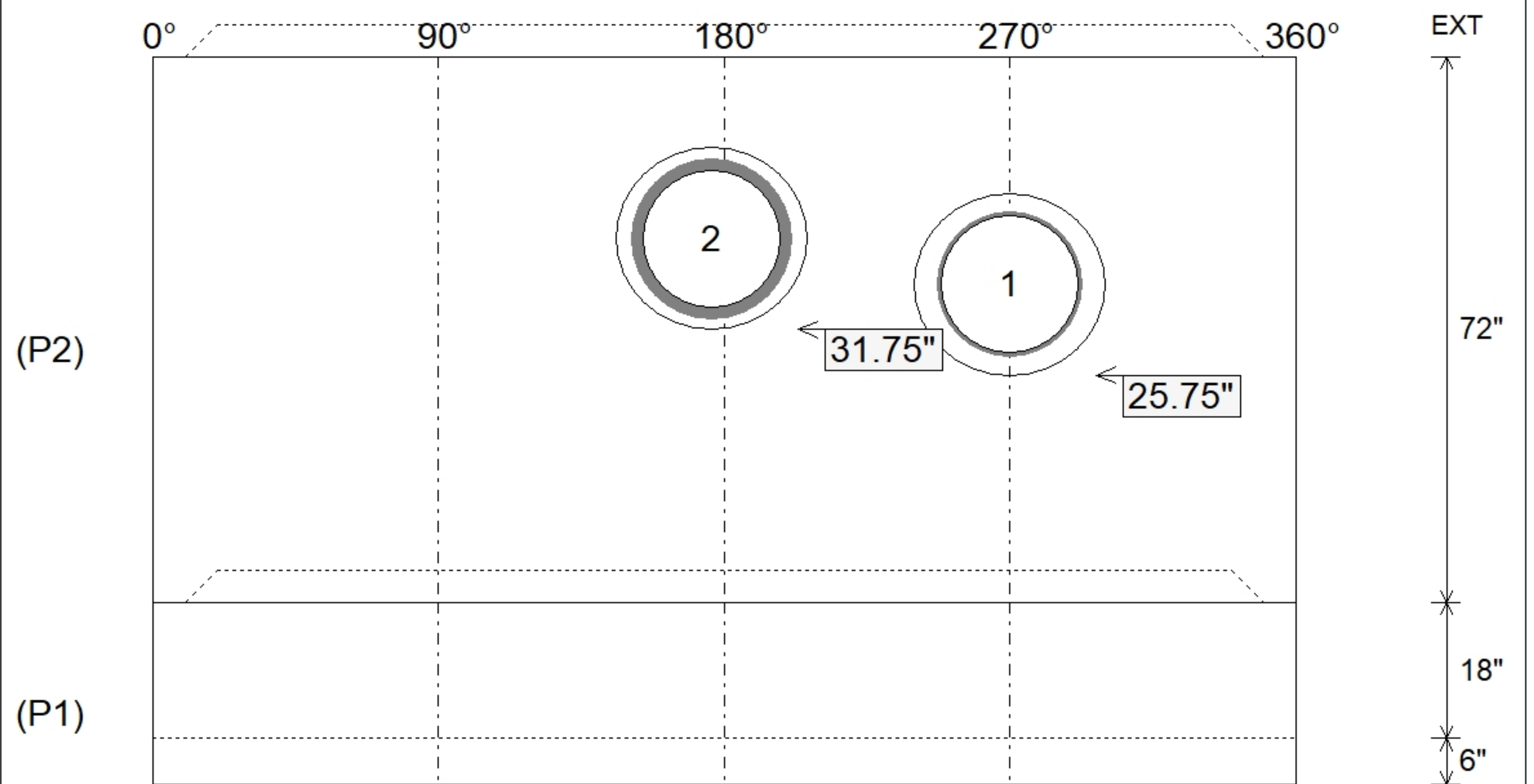
P5) 24" x 24" - CASTING HEIGHT - 4"	0 lb
P4) 48" - MH FLAT TOP w/24"x24" Hole F/G - 12"	1500 lb
P3) 48" - MH RISER Custom Ht T/G - 28"	1956 lb
P2) 48" - MH RISER T/G - 72"	4635 lb
P1) 48" - MH BASE T/n - 18"	2588 lb
1) ASSEMBLY REQUIRED	0 lb
1) CVSTENCILING	0 lb
3) 48" - Conseal CS-102 1.00"	0 lb
1) 24" x 24" - Conseal CS-102 1.00"	0 lb
2) Hole - 24	0 lb
Structure Total:	10679 lb



Position	Elev	Angle	Pipe	Pipe OD	Hole	Connector	Up (")	Ref
Rim	856.51'							
Reducer								
Invert 1	848.89'	270°	18" CMP	19"	24"	Hole 24	25.75"	P2
Invert 2	849.39'	176°	18" HDPE	21.2"	24"	Hole 24	31.75"	P2
Invert 3								
Invert 4								
Invert 5								
Invert 6								
Invert 7								
Invert 8								



Default - Interior Dimensions



Submittal Drawing
 2/13/2026 1:41:42 PM

SUBMITTAL
 APPROVED BY: