

**Structure ID: 15-CS-4**

**P2 MH048RS72**

**MH RISER T/G**

P5) 24" x 24" - CASTING HEIGHT - 4" P4) 48" - MH FLAT TOP w/24"x24" Hole F/G - 12" P3) 48" - MH RISER Custom Ht T/G - 28" P2) 48" - MH RISER T/G - 72" P1) 48" - MH BASE T/n - 18" 1) ASSEMBLY REQUIRED 1) CVSTENCILING 3) 48" - Conseal CS-102 1.00" 1) 24" x 24" - Conseal CS-102 1.00" 2) Hole - 24	0 lb 1500 lb 1956 lb 4635 lb 2588 lb 0 lb 0 lb 0 lb 0 lb 0 lb 0 lb ----- <b>Structure Total: 10679 lb</b>
---	---

Structure Notes:  
 4" CASTING BY OTHERS

LIFTING ANCHORS TO BE INSTALLED ON THE OUTSIDE OF THE STRUCTURE

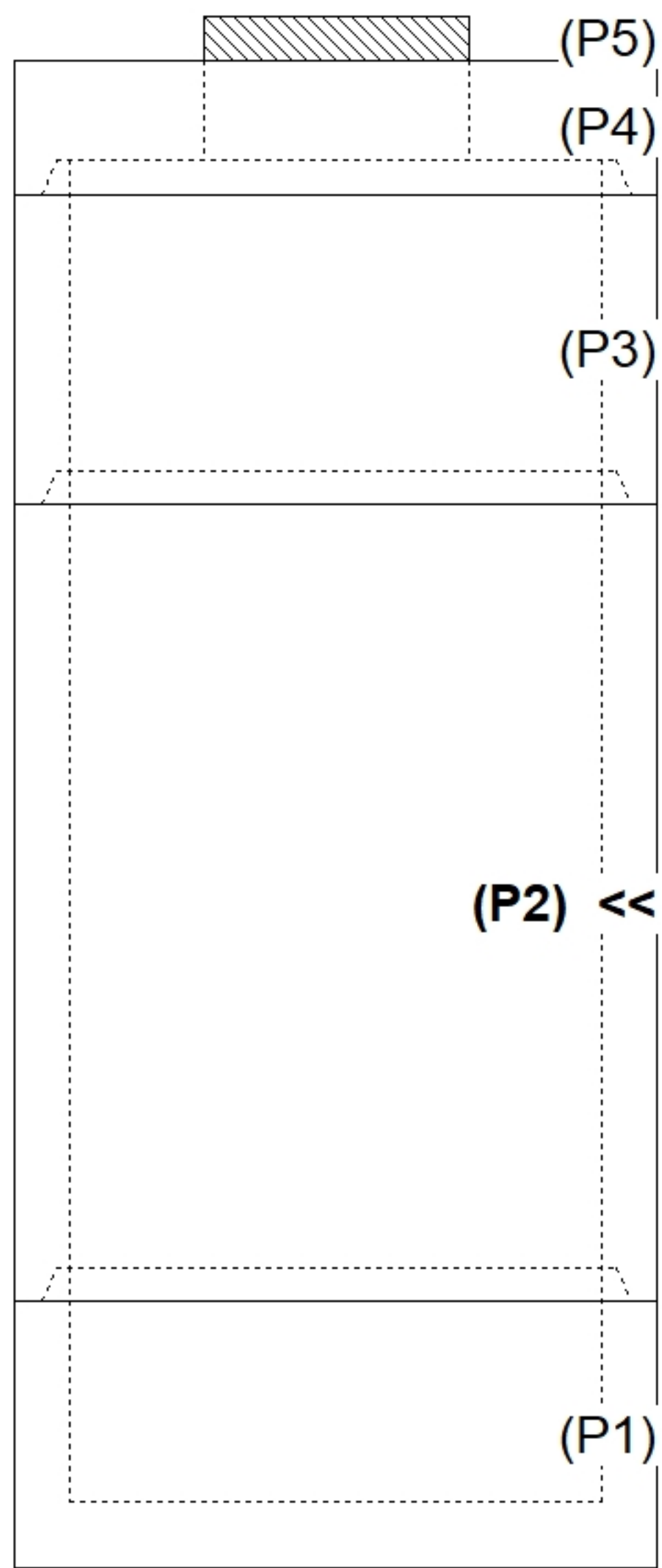
ICAST TO INSTALL THE INTERNALS

CONTECH'S LOGO AS WELL AS THE INLET AND OUTLET MUST BE STENCILED ONTO THE STRUCTURE

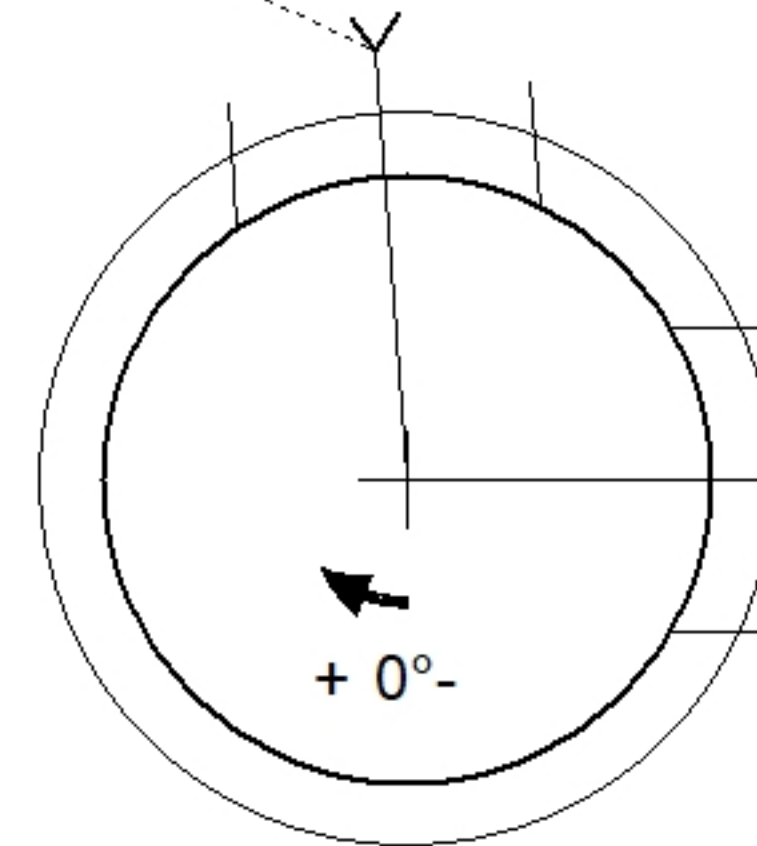
Rim: 856.51'    Rim to Invert: 7.62'    Slack: 8.44"    Sump: 51"    Step Position:

Position	Elev	Angle	Ext. (cw)	Pipe	Pipe OD	Connector	Hole	Horz Size	Up ( )	Offset
Invert 1	848.89'	270°	136.659"	18" CMP	19"	Hole 24	24"	25.133"	25.75"	0"
Invert 2	849.39'	176°	89.082"	18" HDPE	21.2"	Hole 24	24"	25.133"	31.75"	0"
Invert 3										
Invert 4										
Invert 5										
Invert 6										
Invert 7										
Invert 8										

**RIGHT-SIDE UP VIEW (int. dimensions)**

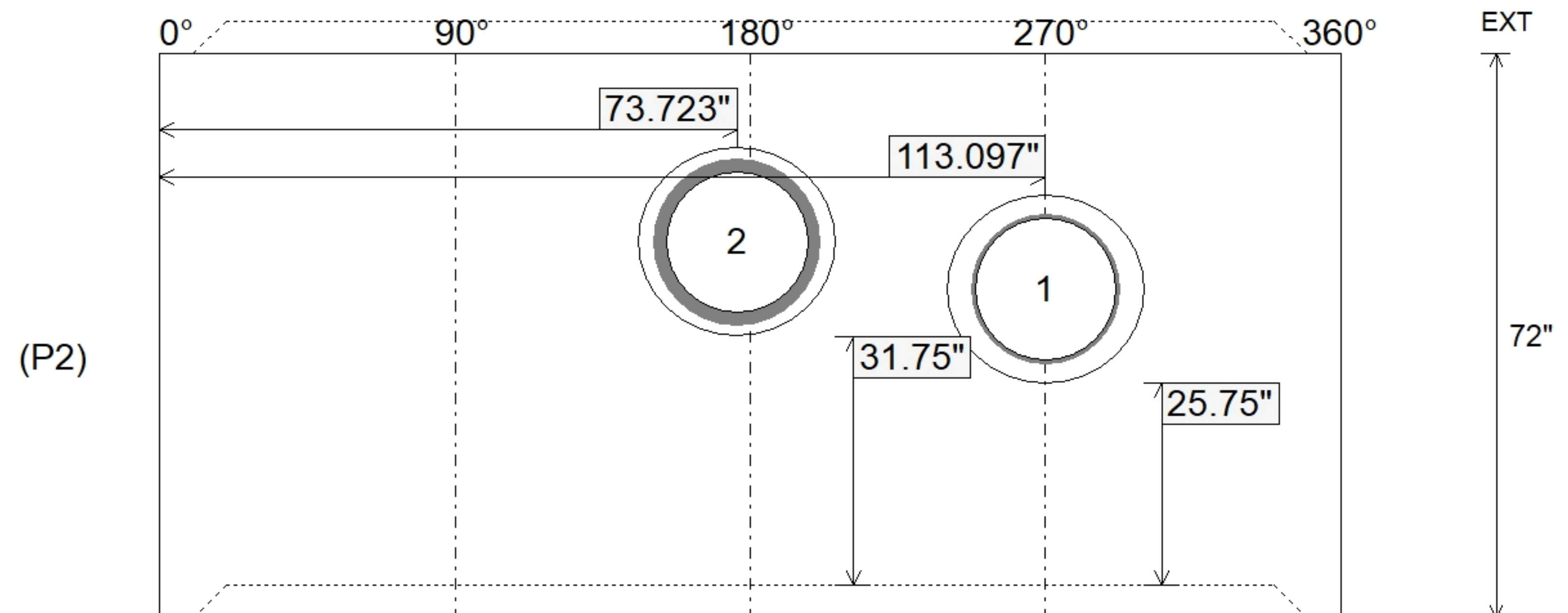


Invert: 2  
 Degree: 176°  
 Horz: 73.723"  
 Hole: 24"  
 Up( ): 31.75"



Invert: 1  
 Degree: 270°  
 Horz: 113.097"  
 Hole: 24"  
 Up( ): 25.75"

**INSIDE WALL DIMENSIONS**



Coating (Int): Coating (Ext):	Seam Up: Tongue Seam Dn: Groove	Wall Thickness: 5" Floor Height: 0"	Height (Int): 72" Height (Ext): 72"	Weight (Net): 4635 lb Volume (Net): 1.18cu.yd
----------------------------------	------------------------------------	--	--	--