

Job Name: 26-1289 876242 Mazak Foundation	Plant: Beaver Dam	Tech: S. Felletter	
Job Location: Elsmere, KY Contractor: Contech Engineering Solutions	2/13/2026 1:41:53 PM	PC: T. Sekula	

Structure ID: 15-CS-4

P1 MH048BA18

MH BASE T/n

P5) 24" x 24" - CASTING HEIGHT - 4"	0 lb
P4) 48" - MH FLAT TOP w/24"x24" Hole F/G - 12"	1500 lb
P3) 48" - MH RISER Custom Ht T/G - 28"	1956 lb
P2) 48" - MH RISER T/G - 72"	4635 lb
P1) 48" - MH BASE T/n - 18"	2588 lb
1) ASSEMBLY REQUIRED	0 lb
1) CVSTENCILING	0 lb
3) 48" - Conseal CS-102 1.00"	0 lb
1) 24" x 24" - Conseal CS-102 1.00"	0 lb
2) Hole - 24"	0 lb
Structure Total:	10679 lb

Structure Notes:
 4" CASTING BY OTHERS

 LIFTING ANCHORS TO BE INSTALLED ON THE OUTSIDE OF THE STRUCTURE

 ICAST TO INSTALL THE INTERNALS

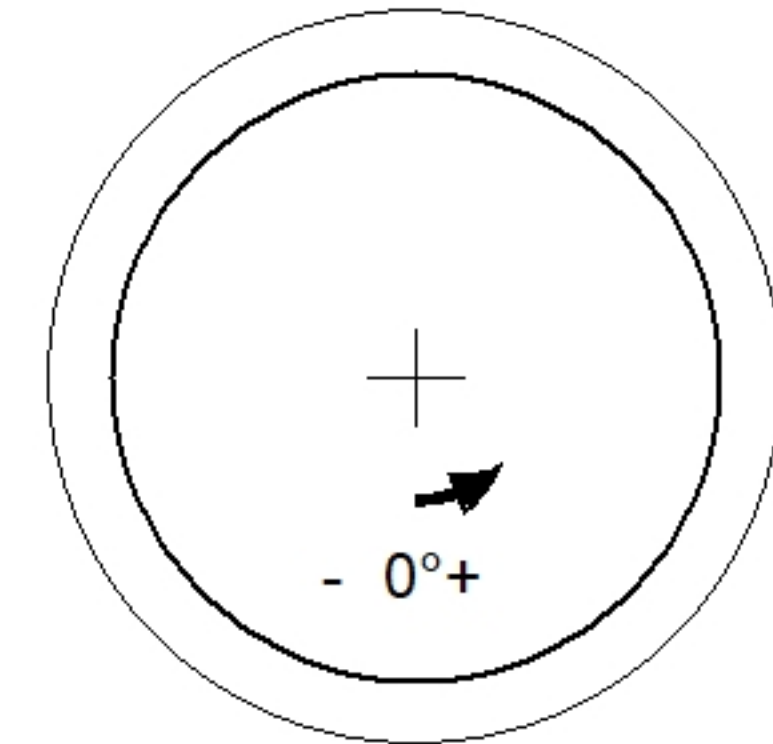
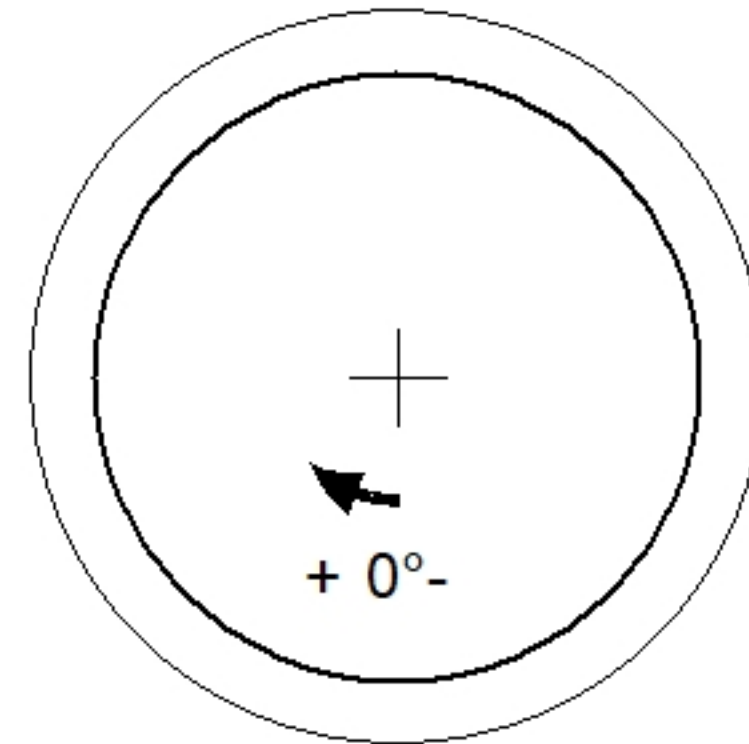
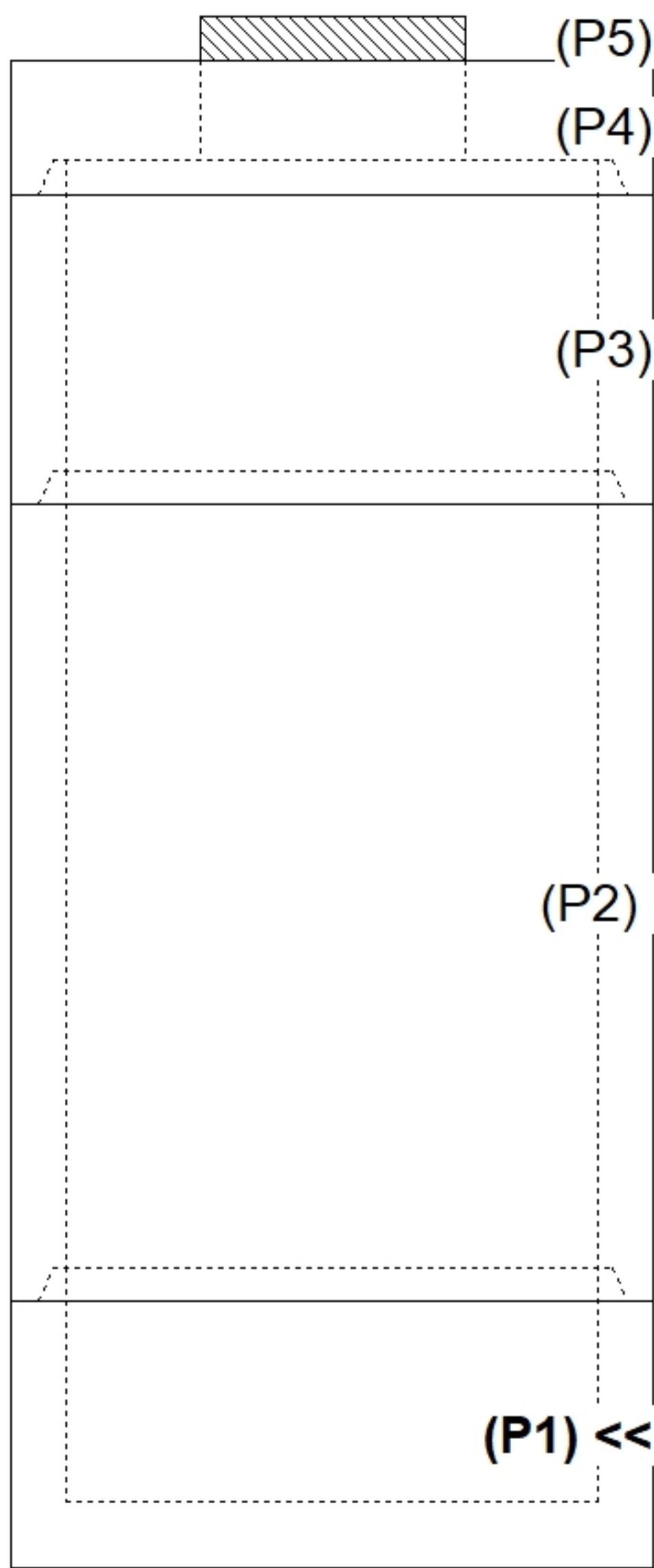
 CONTECH'S LOGO AS WELL AS THE INLET AND OUTLET MUST BE STENCILED ONTO THE STRUCTURE

Rim: 856.51' Rim to Invert: 7.62' Slack: 8.44" Sump: 51" Step Position:

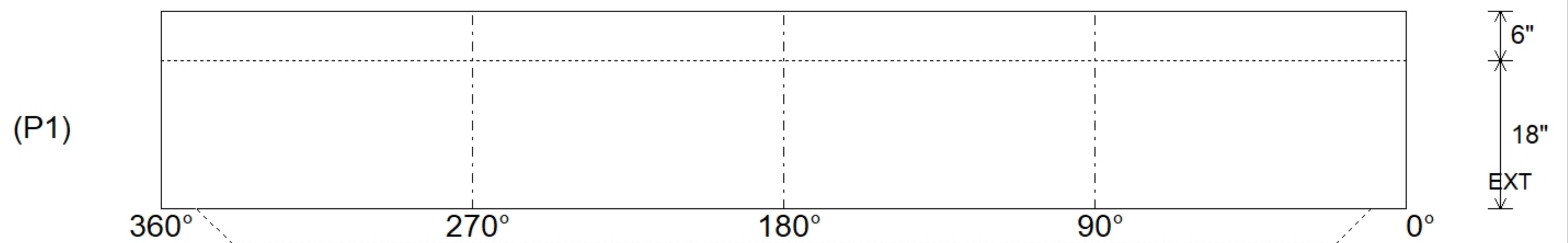
Position	Elev	Angle	Ext. (cw)	Pipe	Pipe OD	Connector	Hole	Horz Size	Up (L)	Offset
Invert 1										
Invert 2										
Invert 3										
Invert 4										
Invert 5										
Invert 6										
Invert 7										
Invert 8										

RIGHT-SIDE UP VIEW (int. dimensions)

UPSIDE-DOWN VIEW (int. dimensions)



INSIDE WALL DIMENSIONS



Coating (Int):	Seam Up: Tongue	Wall Thickness: 5"	Height (Int): 18"	Weight (Net): 2588 lb
Coating (Ext):	Seam Dn: n/a	Floor Height: 6"	Height (Ext): 24"	Volume (Net): 0.66cu.yd