

Job Name: 26-1283 878844 7604 Wolf Pen Branch  
 Job Location: Prospect, KY  
 Contractor: Contech Engineering Solutions

Plant: Beaver Dam  
 2/12/2026 11:29:56 AM

Tech: S. Felletter  
 PC: T. Sekula



**Structure ID: 10-CS-4**

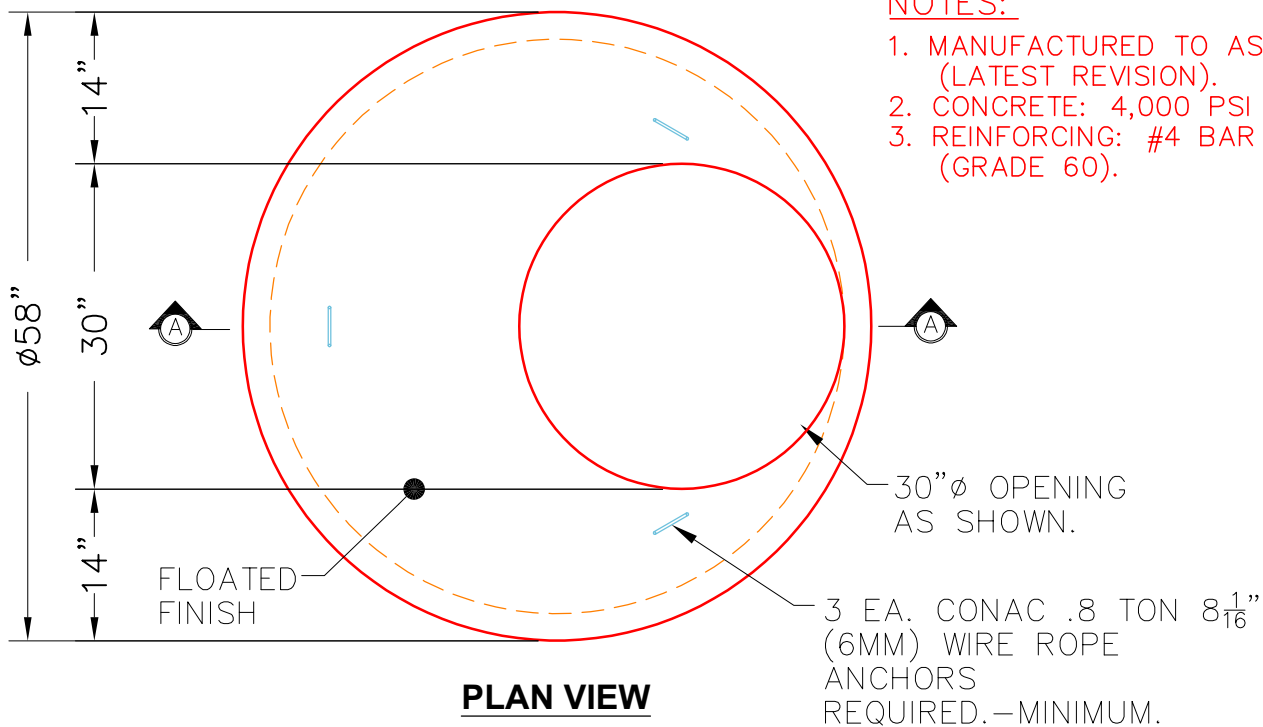
**P4 MH048LD12-30**

**MH FLAT LID w/30in ECC Hole F/G**

- P5) 30" - CASTING HEIGHT - 4"
- P4) 48" - MH FLAT LID w/30in ECC Hole F/G - 12"
- P3) 48" - MH RISER T/G - 24"
- P2) 48" - MH RISER T/G - 72"
- P1) 48" - MH BASE T/h - 18"
- 1) CVSTENCILING
- 1) ASSEMBLY REQUIRED
- 3) 48" - Conseal CS-102 1.00"
- 2) Hole - 24

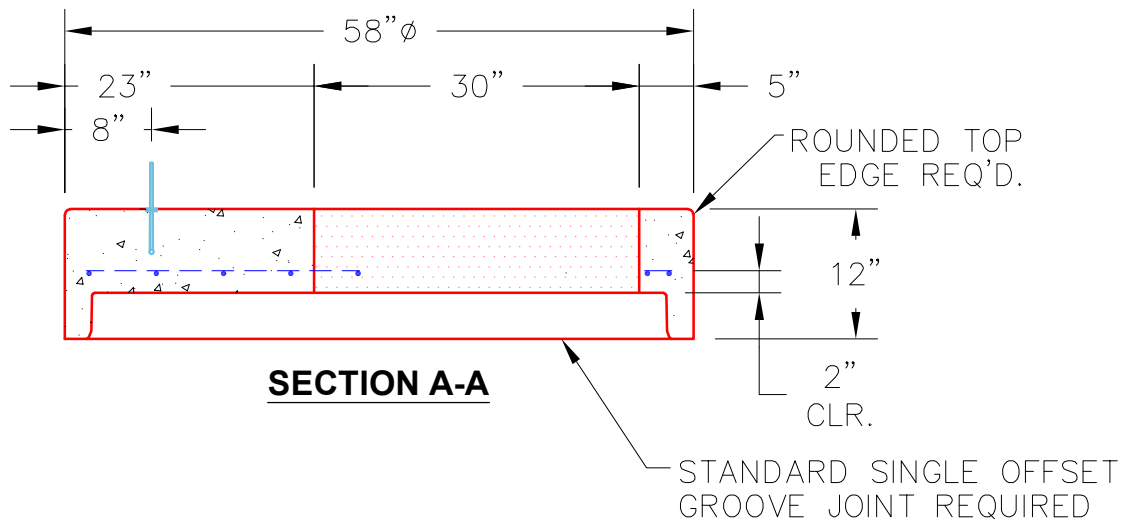
0 lb  
 1413 lb  
 1677 lb  
 4635 lb  
 2588 lb  
 0 lb  
 0 lb  
 0 lb  
 0 lb  
 -----  
 Structure Total: 10313 lb

Structure Notes:  
 4" CASTING BY OTHERS  
  
 LIFTING ANCHORS TO BE INSTALLED  
 ON THE OUTSIDE OF THE STRUCTURE  
  
 ICAST TO INSTALL THE INTERNALS  
  
 CONTECH'S LOGO AS WELL AS THE  
 INLET AND OUTLET MUST BE  
 STENCILED ONTO THE STRUCTURE



NOTES:

1. MANUFACTURED TO ASTM C-478 (LATEST REVISION).
2. CONCRETE: 4,000 PSI AT 28 DAYS.
3. REINFORCING: #4 BAR @ 10" O.C. E.W. (GRADE 60).



Coating (Int):  
 Coating (Ext):

Seam Up: Flat  
 Seam Dn: Groove

Wall Thickness: 5"

Height (Ext): 12"

Weight (Net): 1413 lb  
 Volume (Net): 0.36cu.yd