

**Structure ID: 10-CS-4**

**P1 MH048BA18**

**MH BASE T/n**

P5) 30" - CASTING HEIGHT - 4" P4) 48" - MH FLAT LID w/30in ECC Hole F/G - 12" P3) 48" - MH RISER T/G - 24" P2) 48" - MH RISER T/G - 72" P1) 48" - MH BASE T/n - 18" 1) CVSTENCILING 1) ASSEMBLY REQUIRED 3) 48" - Conseal CS-102 1.00" 2) Hole - 24	0 lb 1413 lb 1677 lb 4635 lb 2588 lb 0 lb 0 lb 0 lb 0 lb 0 lb	Structure Total: 10313 lb
---	--	---------------------------

Structure Notes:  
 4" CASTING BY OTHERS

LIFTING ANCHORS TO BE INSTALLED ON THE OUTSIDE OF THE STRUCTURE

ICAST TO INSTALL THE INTERNALS

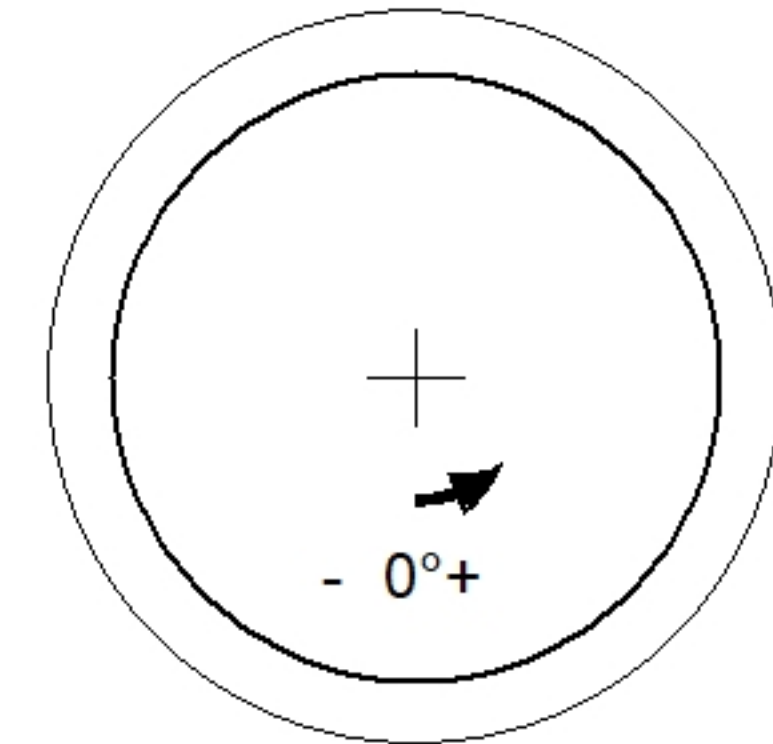
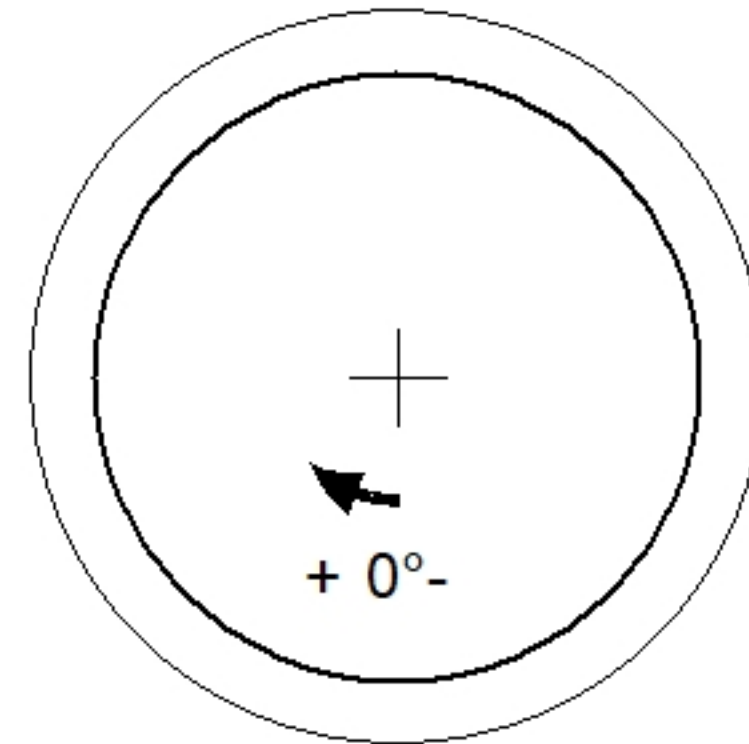
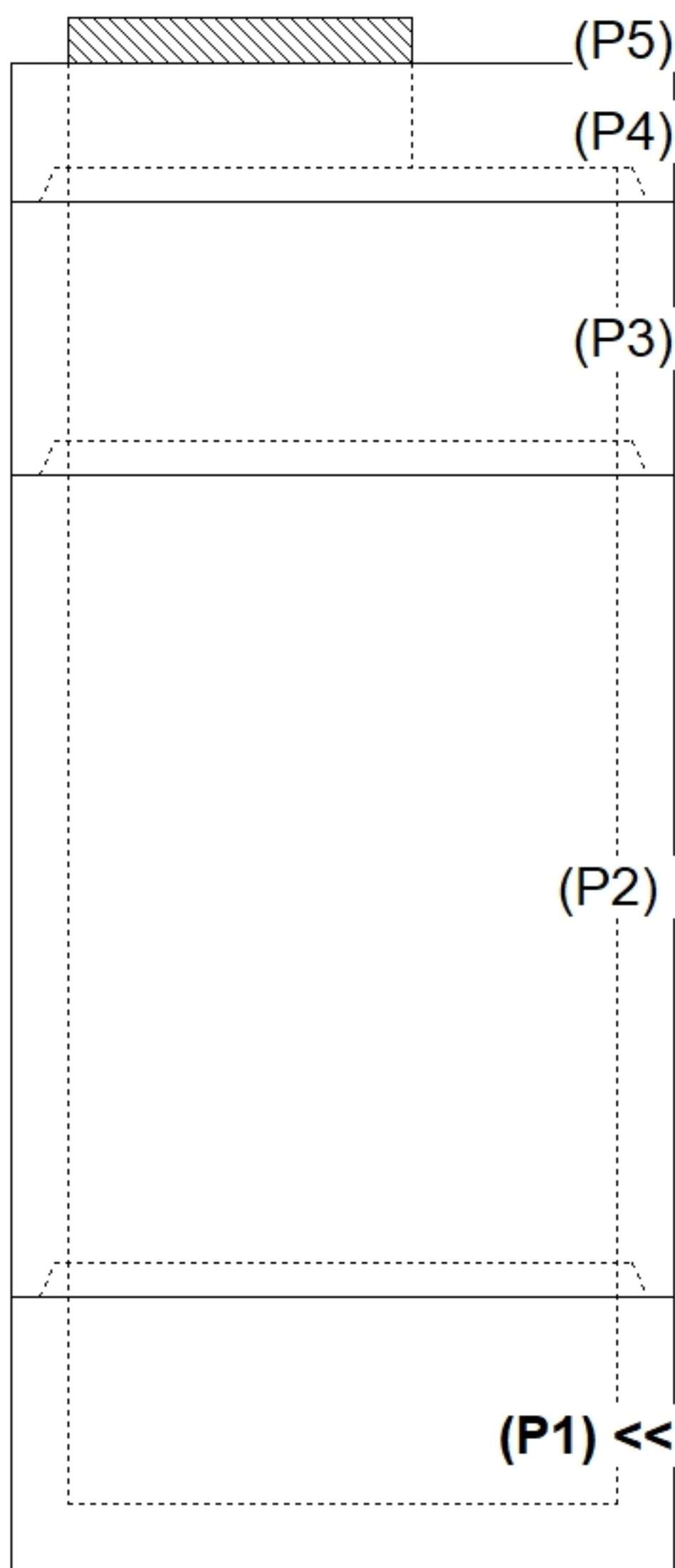
CONTECH'S LOGO AS WELL AS THE INLET AND OUTLET MUST BE STENCILED ONTO THE STRUCTURE

Rim: 583.19'    Rim to Invert: 6.76'    Slack: 2.12"    Sump: 51"    Step Position:

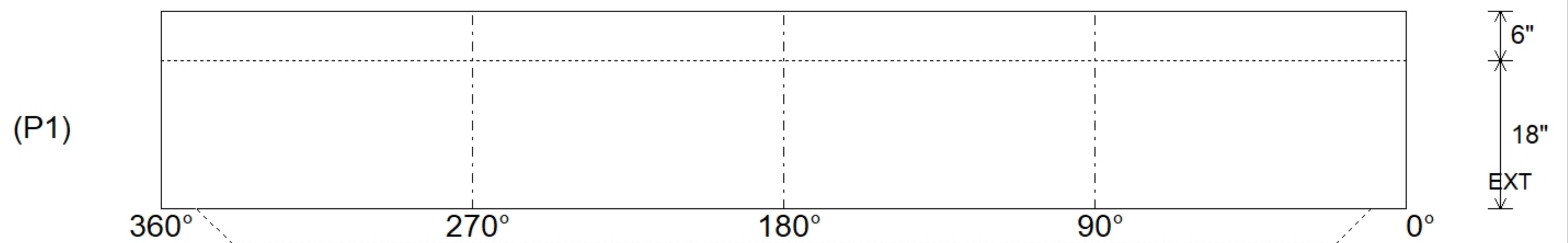
Position	Elev	Angle	Ext. (cw)	Pipe	Pipe OD	Connector	Hole	Horz Size	Up (L)	Offset
Invert 1										
Invert 2										
Invert 3										
Invert 4										
Invert 5										
Invert 6										
Invert 7										
Invert 8										

RIGHT-SIDE UP VIEW (int. dimensions)

UPSIDE-DOWN VIEW (int. dimensions)



INSIDE WALL DIMENSIONS



Coating (Int): Coating (Ext):	Seam Up: Tongue Seam Dn: n/a	Wall Thickness: 5" Floor Height: 6"	Height (Int): 18" Height (Ext): 24"	Weight (Net): 2588 lb Volume (Net): 0.66cu.yd
----------------------------------	---------------------------------	--	--	--