

**Job Name: 26-1237 860558 Beulah Crossing Townhomes**  
**Job Location: Lexington, KY**  
**Contractor: Contech Engineering Solutions**

PC: T. Sekula  
 TECH: S. Felletter  
 Plant: Beaver Dam



Structure ID: **15-CS-3**  
 Spec: Storm-Pipe Centered  
 Type: STM.MH  
 Size: 36"

Rim: 688.2'  
 Invert: 683.65'  
 Rim to Invert: 4.55'

Sump: 39"  
 Floor (Top): 680.4'  
 Floor Height: 6"

Floor (Bot): 679.9'  
 Overall Height: 7.333'  
 Slack: 11.6"

Structure Notes:  
 4" CASTING BY OTHERS

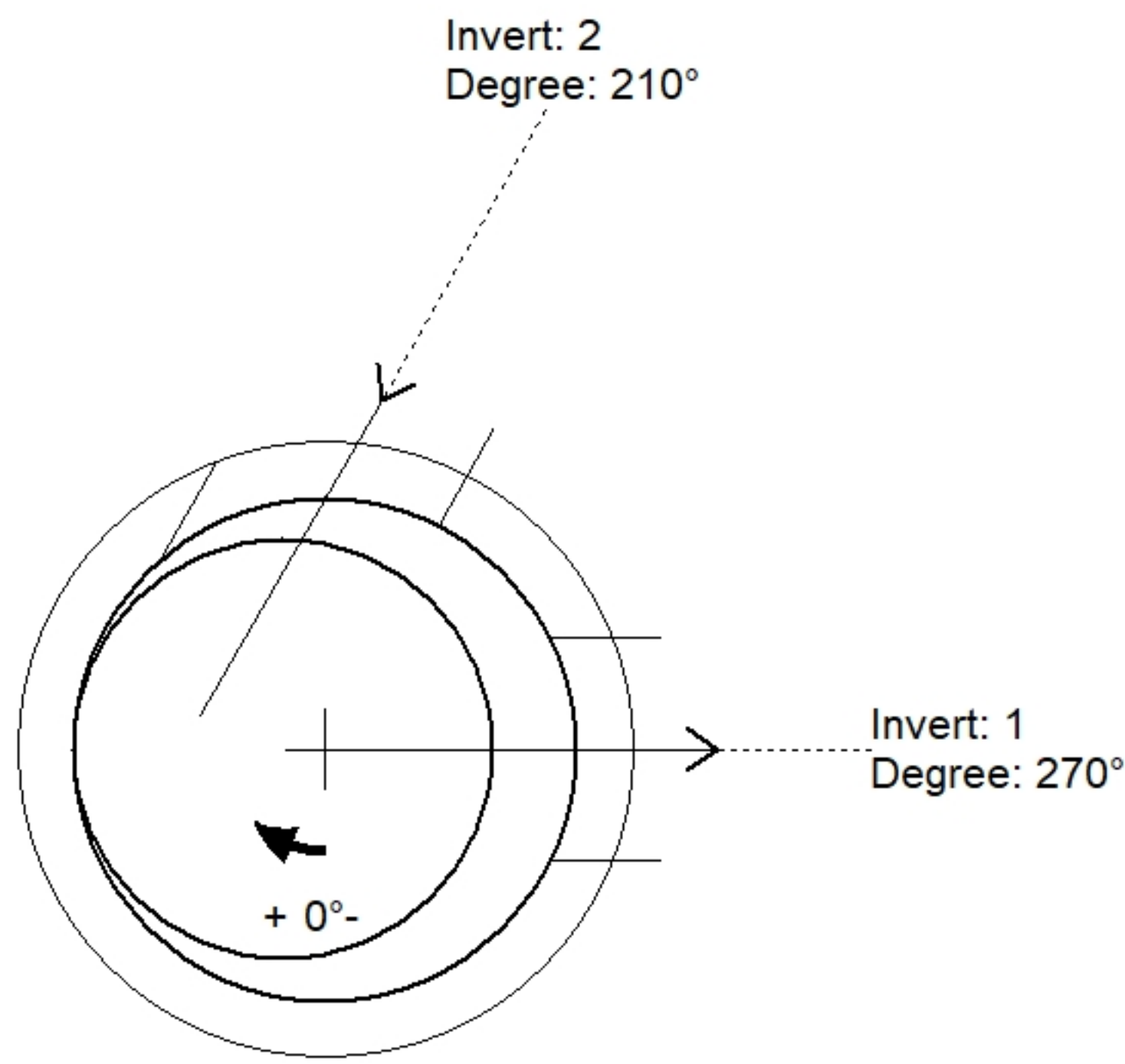
LIFTING ANCHORS TO BE INSTALLED  
 ON THE OUTSIDE OF THE STRUCTURE

ICAST TO INSTALL THE INTERNALS

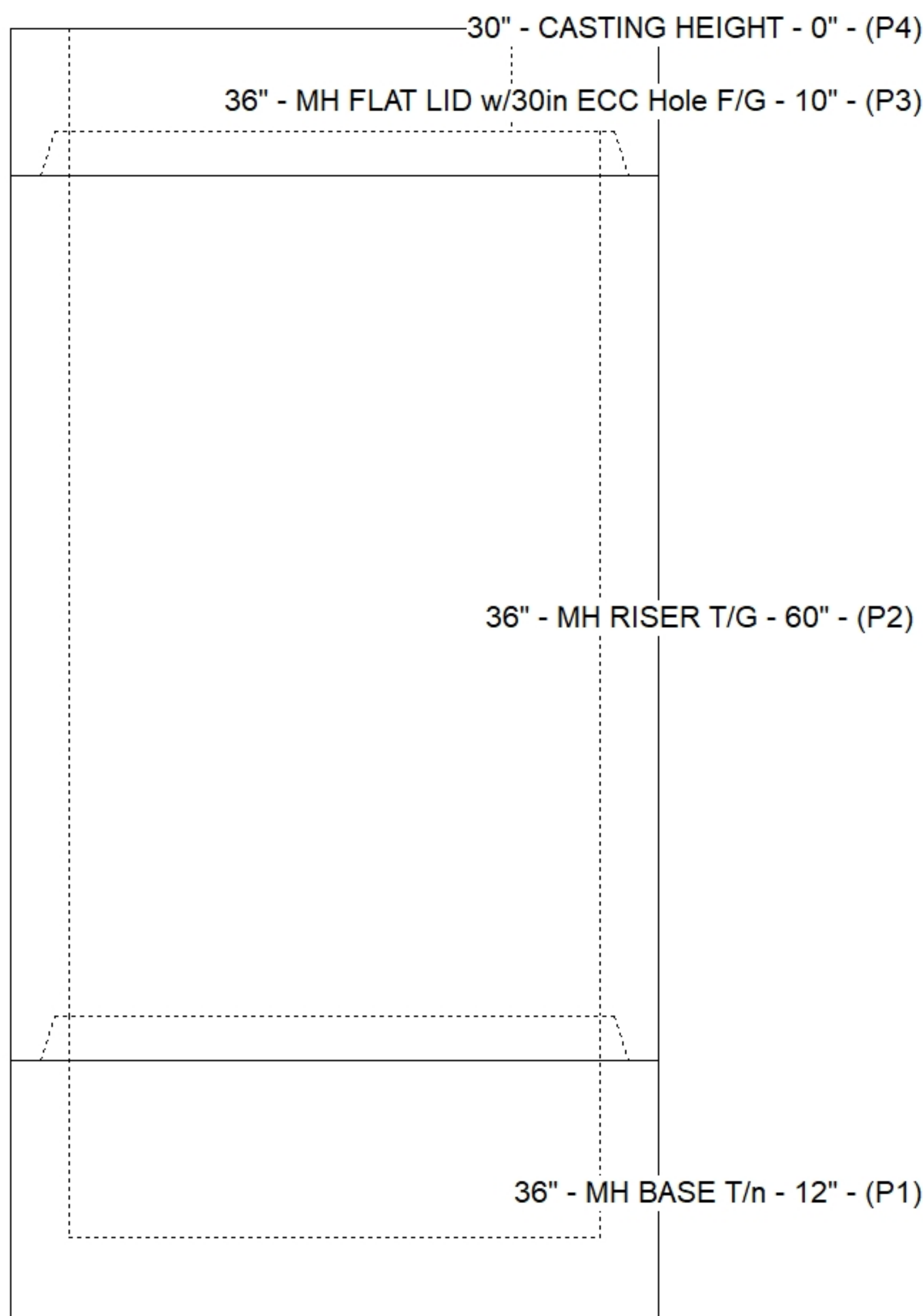
CONTECH'S LOGO AS WELL AS THE  
 INLET AND OUTLET MUST BE  
 STENCILED ONTO THE STRUCTURE

STRUCTURE SUMMARY:

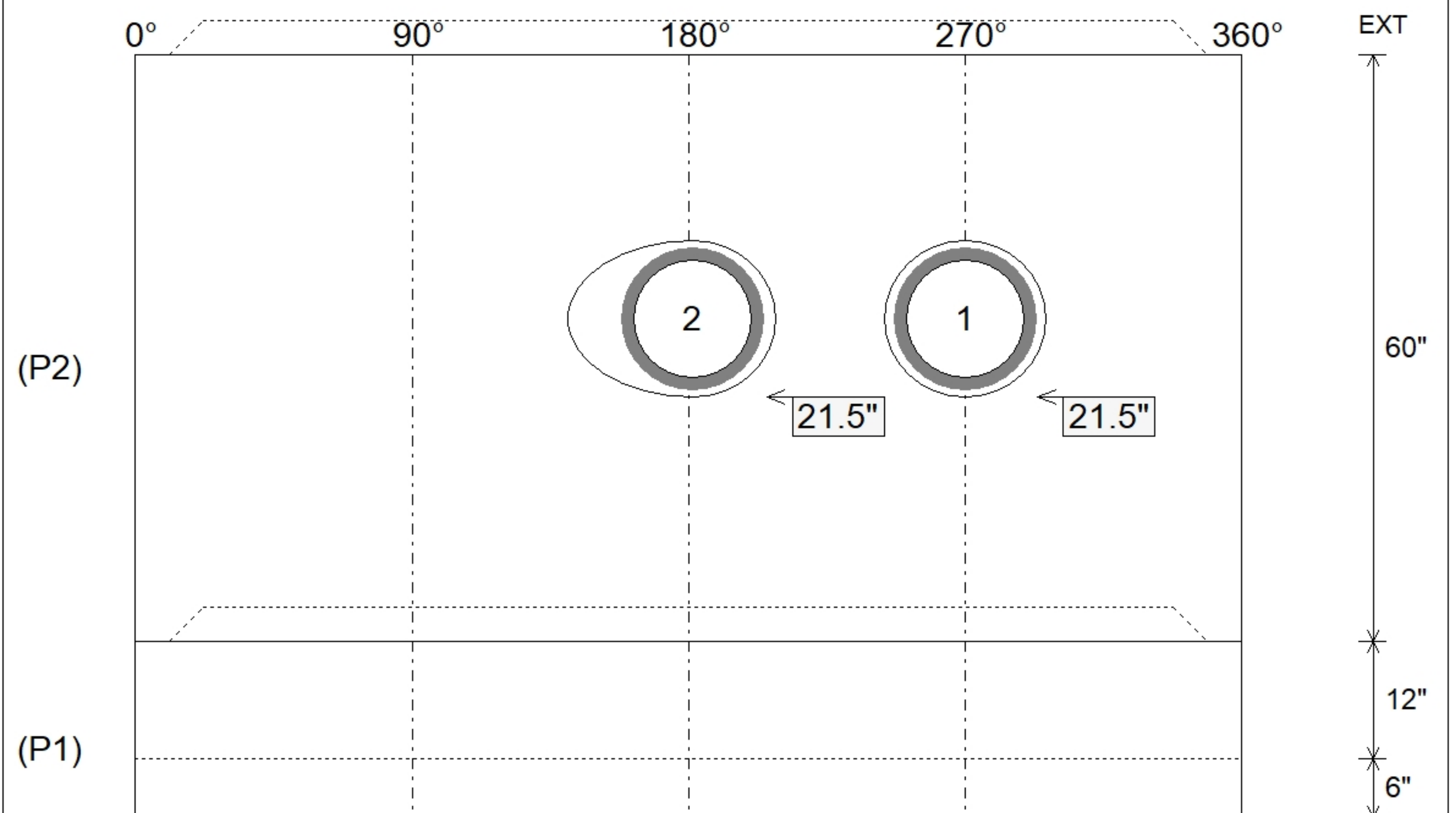
P4) 30" - CASTING HEIGHT - 0"	0 lb
P3) 36" - MH FLAT LID w/30in ECC Hole F/G - 10"	683 lb
P2) 36" - MH RISER T/G - 60"	2378 lb
P1) 36" - MH BASE T/n - 12"	1272 lb
1) ASSEMBLY REQUIRED	0 lb
1) CVSTENCILING	0 lb
2) 36" - Conseal CS-102 1.00"	0 lb
2) Hole - 16	0 lb
<b>Structure Total:</b>	<b>4332 lb</b>



Position	Elev	Angle	Pipe	Pipe OD	Hole	Connector	Up (")	Ref
Rim	688.2'							
Reducer								
Invert 1	683.65'	270°	12" ADS N-12	14.5"	16"	Hole 16	21.5"	P2
Invert 2	683.65'	210°	12" ADS N-12	14.5"	16"	Hole 16	21.5"	P2
Invert 3								
Invert 4								
Invert 5								
Invert 6								
Invert 7								
Invert 8								



Default - Interior Dimensions



Submittal Drawing  
 2/6/2026 12:08:43 PM

SUBMITTAL  
 APPROVED BY: