

Structure ID: 15-CS-3

P2 MH036RS60

MH RISER T/G

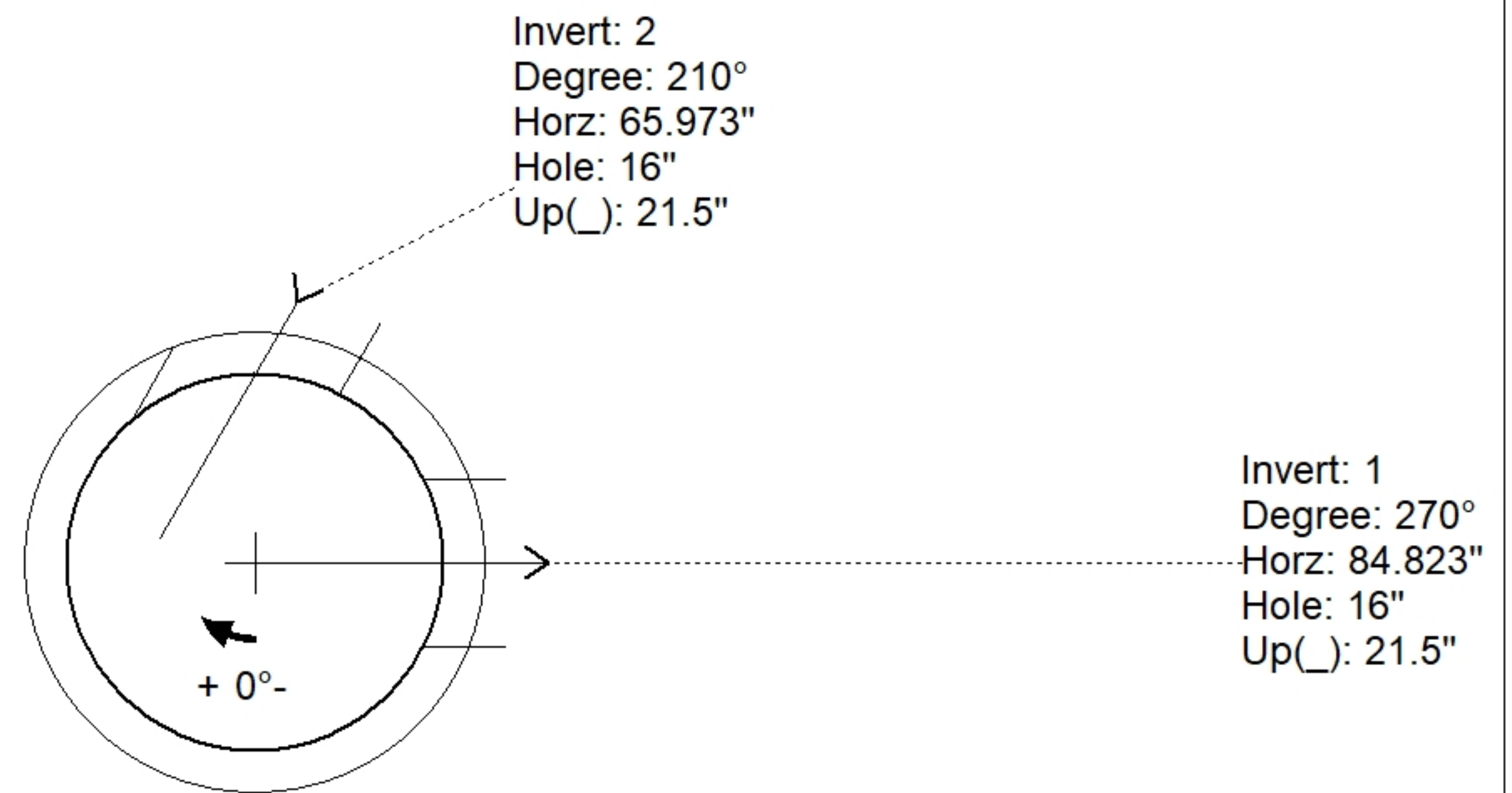
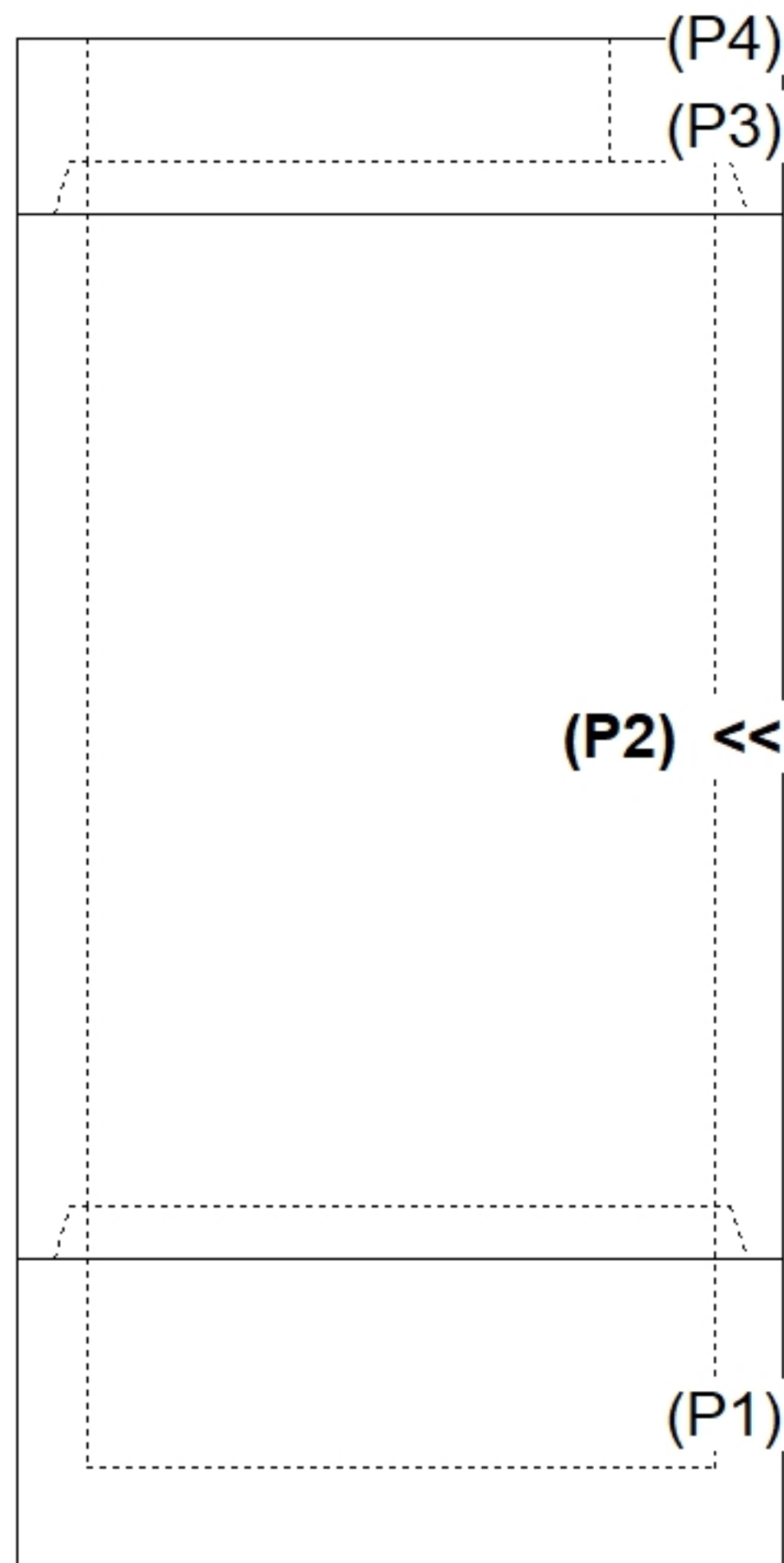
P4) 30" - CASTING HEIGHT - 0" P3) 36" - MH FLAT LID w/30in ECC Hole F/G - 10" P2) 36" - MH RISER T/G - 60" P1) 36" - MH BASE T/n - 12" 1) ASSEMBLY REQUIRED 1) CVSTENCILING 2) 36" - Conseal CS-102 1.00" 2) Hole - 16	0 lb 683 lb 2378 lb 1272 lb 0 lb 0 lb 0 lb 0 lb 0 lb 4332 lb	Structure Notes: 4" CASTING BY OTHERS LIFTING ANCHORS TO BE INSTALLED ON THE OUTSIDE OF THE STRUCTURE ICAST TO INSTALL THE INTERNALS CONTECH'S LOGO AS WELL AS THE INLET AND OUTLET MUST BE STENCILED ONTO THE STRUCTURE
---	---	---

Structure Total: 4332 lb

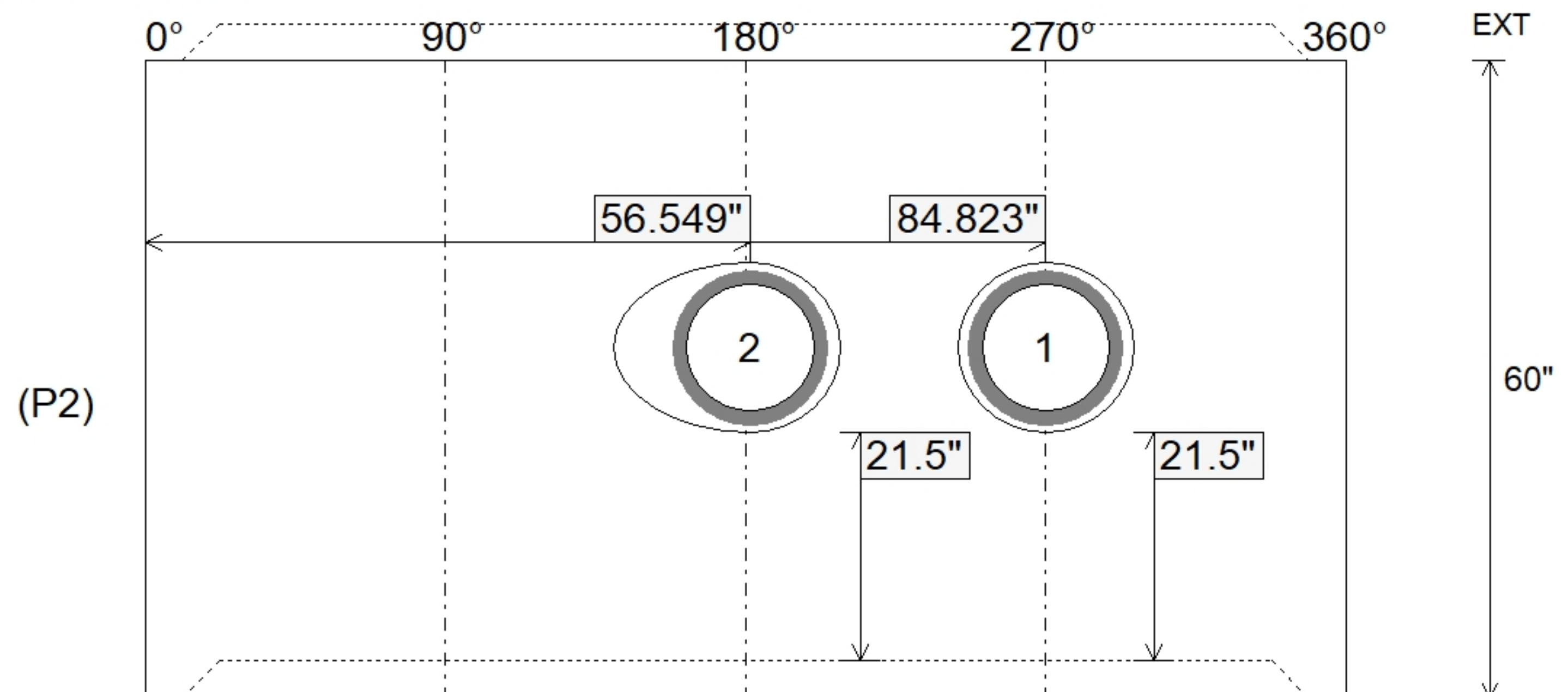
Rim: 688.2' Rim to Invert: 4.55' Slack: 11.6" Sump: 39" Step Position:

Position	Elev	Angle	Ext. (cw)	Pipe	Pipe OD	Connector	Hole	Horz Size	Up ()	Offset
Invert 1	683.65'	270°	103.673"	12" ADS N-12	14.5"	Hole 16	16"	16.58"	21.5"	0"
Invert 2	683.65'	210°	71.362"	12" ADS N-12	14.5"	Hole 16	16"	21.246"	21.5"	-9"
Invert 3										
Invert 4										
Invert 5										
Invert 6										
Invert 7										
Invert 8										

RIGHT-SIDE UP VIEW (int. dimensions)



INSIDE WALL DIMENSIONS



Coating (Int): Coating (Ext):	Seam Up: Tongue Seam Dn: Groove	Wall Thickness: 4" Floor Height: 0"	Height (Int): 60" Height (Ext): 60"	Weight (Net): 2378 lb Volume (Net): 0.61cu.yd
----------------------------------	------------------------------------	--	--	--