

Job Name: 26-1237 860558 Beulah Crossing Townhomes
Job Location: Lexington, KY
Contractor: Contech Engineering Solutions

PC: T. Sekula
 TECH: S. Felletter
 Plant: Beaver Dam



Structure ID: **10-CS-5**
 Spec: Storm-Pipe Centered
 Type: STM.MH
 Size: 60"

Rim: 689'
 Invert: 683.35'
 Rim to Invert: 5.65'

Sump: 58.08"
 Floor (Top): 678.51'
 Floor Height: 8"

Floor (Bot): 677.843'
 Overall Height: 10.25'
 Slack: 10.88"

Structure Notes:
 4" CASTING BY OTHERS

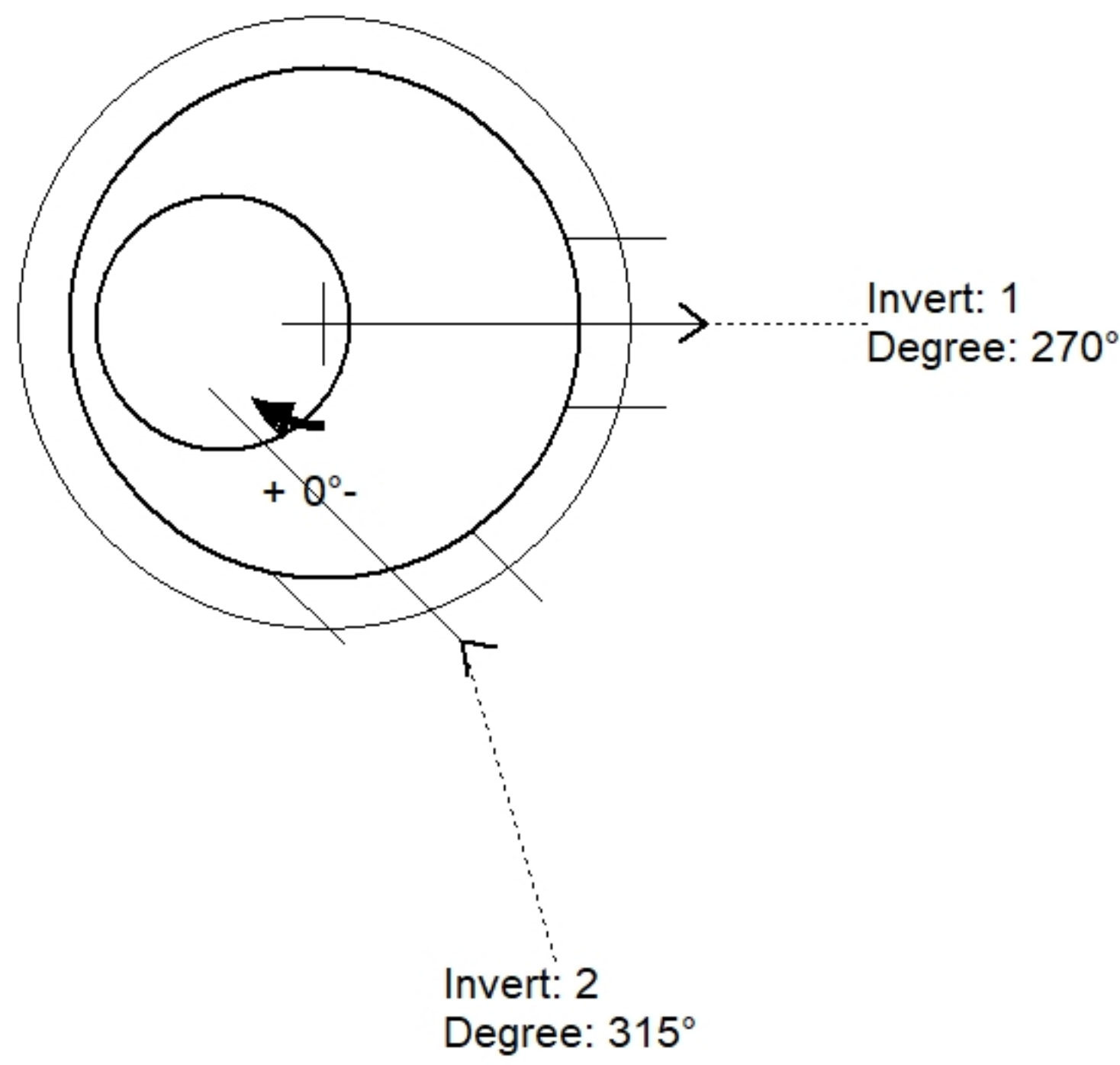
LIFTING ANCHORS TO BE INSTALLED
 ON THE OUTSIDE OF THE STRUCTURE

ICAST TO INSTALL THE INTERNALS

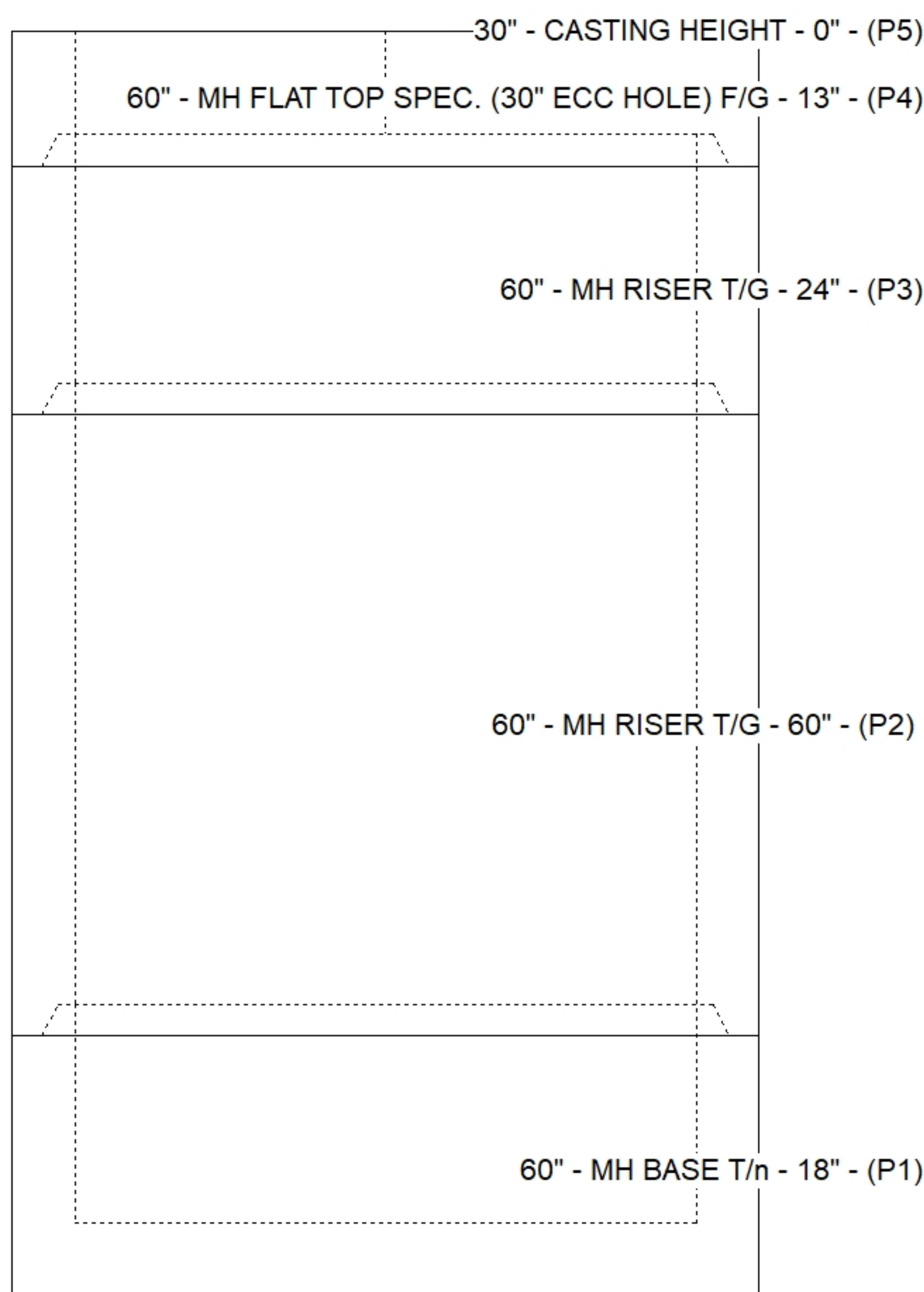
CONTECH'S LOGO AS WELL AS THE
 INLET AND OUTLET MUST BE
 STENCILED ONTO THE STRUCTURE

STRUCTURE SUMMARY:

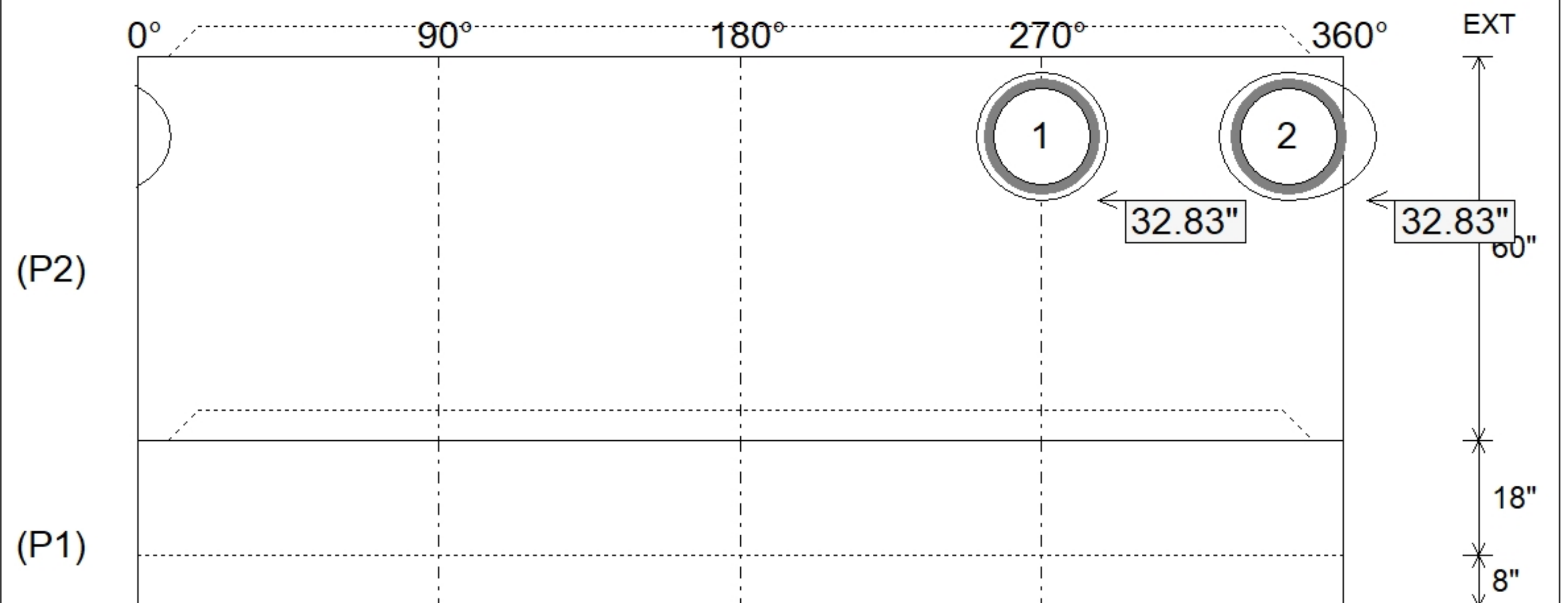
P5) 30" - CASTING HEIGHT - 0"	0 lb
P4) 60" - MH FLAT TOP SPEC. (30" ECC HOLE) F/G - 13"	2589 lb
P3) 60" - MH RISER T/G - 24"	2505 lb
P2) 60" - MH RISER T/G - 60"	5916 lb
P1) 60" - MH BASE T/n - 18"	4612 lb
1) CVSTENCILING	0 lb
1) ASSEMBLY REQUIRED	0 lb
3) 60" - Conseal CS-102 1.00"	0 lb
2) Hole - 20	0 lb
Structure Total:	15623 lb



Position	Elev	Angle	Pipe	Pipe OD	Hole	Connector	Up (")	Ref
Rim	689'							
Reducer								
Invert 1	683.35'	270°	15" ADS N-12	18"	20"	Hole 20	32.83"	P2
Invert 2	683.35'	315°	15" ADS N-12	18"	20"	Hole 20	32.83"	P2
Invert 3								
Invert 4								
Invert 5								
Invert 6								
Invert 7								
Invert 8								



Default - Interior Dimensions



Submittal Drawing
 2/6/2026 12:08:45 PM

SUBMITTAL
 APPROVED BY: