

**Structure ID: 10-CS-5**

**P2 MH060RS60**

**MH RISER T/G**

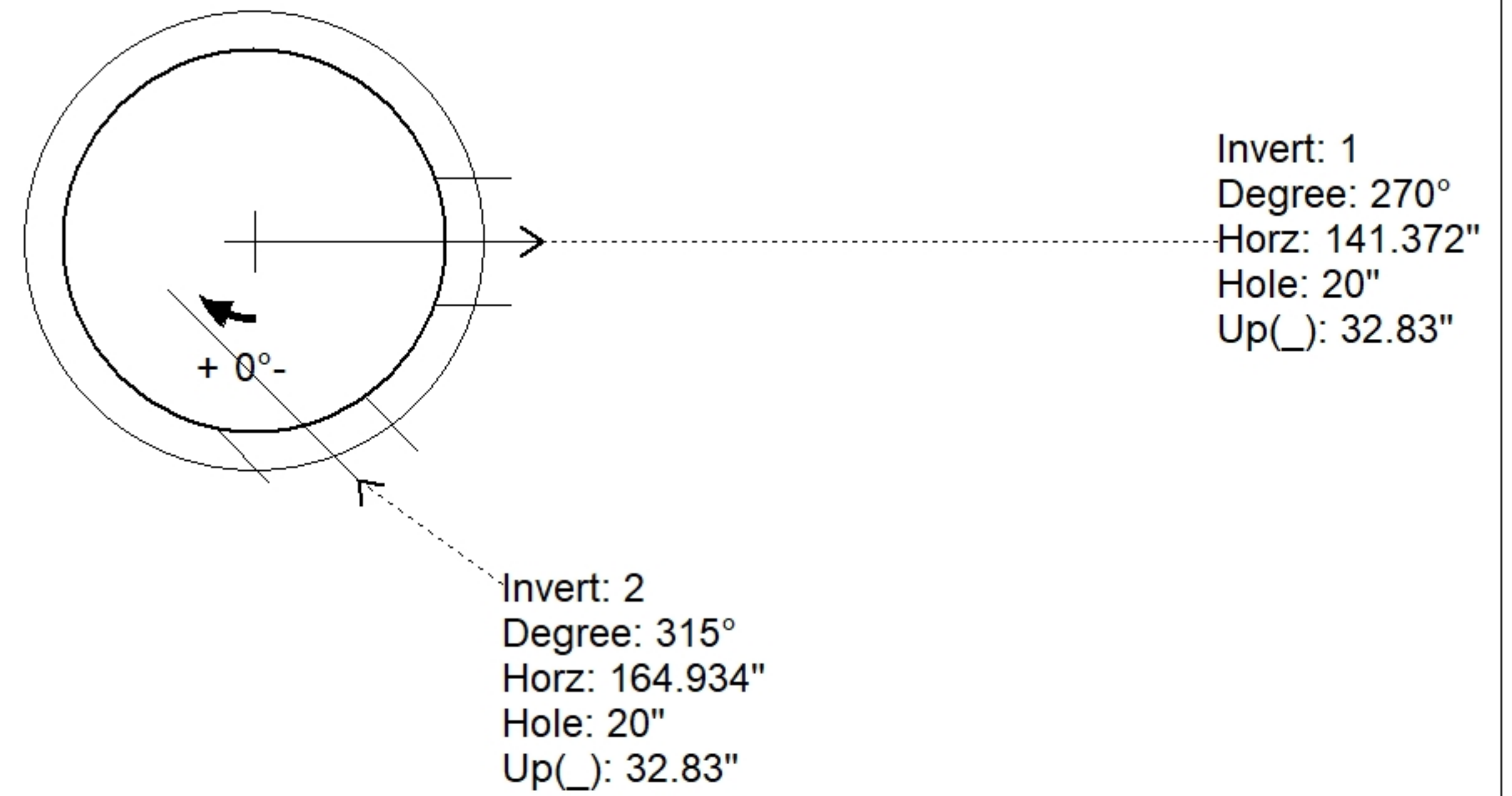
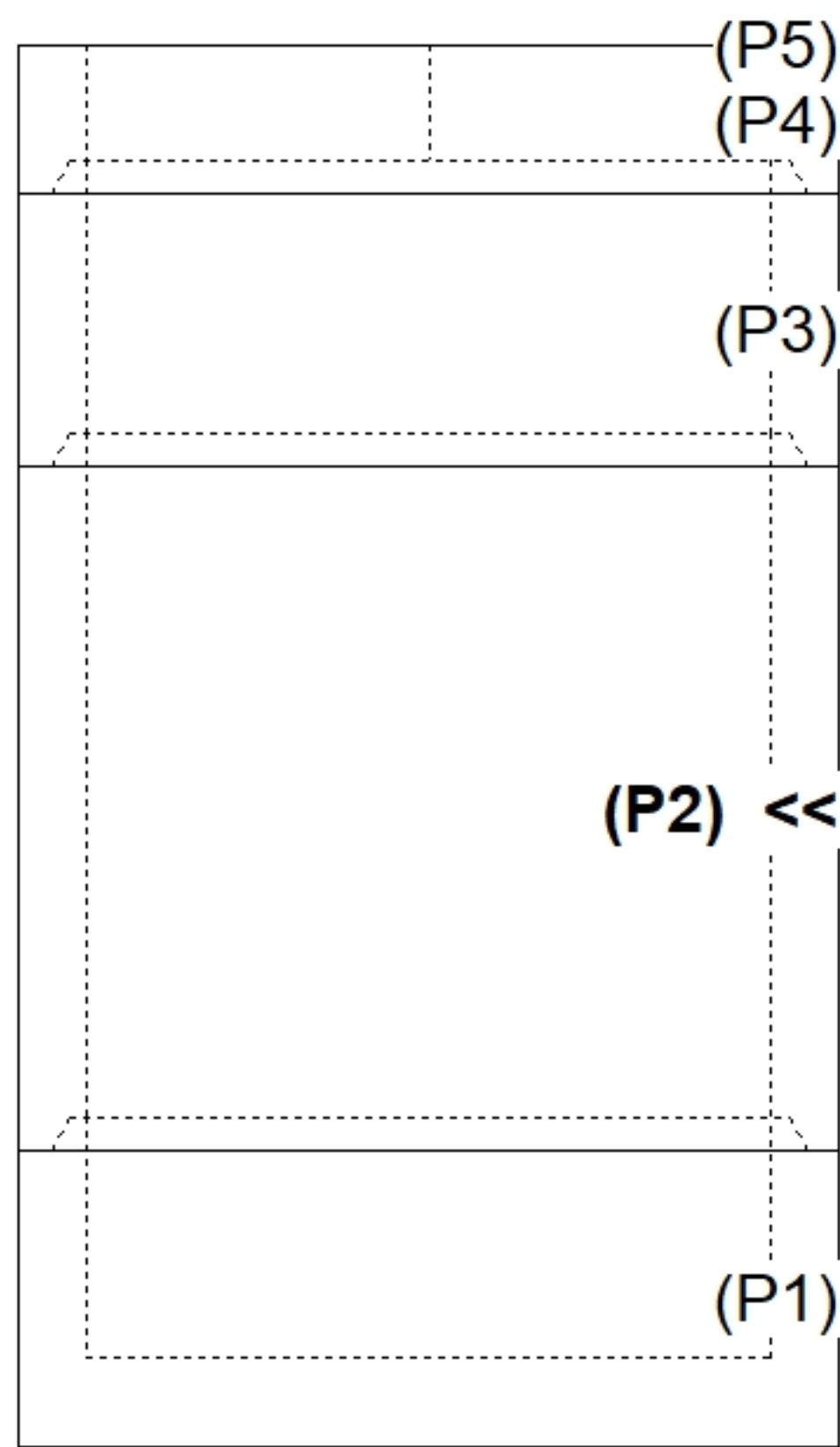
P5) 30" - CASTING HEIGHT - 0" P4) 60" - MH FLAT TOP SPEC. (30" ECC HOLE) F/G - 13" P3) 60" - MH RISER T/G - 24" P2) 60" - MH RISER T/G - 60" P1) 60" - MH BASE T/n - 18" 1) CVSTENCILING 1) ASSEMBLY REQUIRED 3) 60" - Conseal CS-102 1.00" 2) Hole - 20	0 lb 2589 lb 2505 lb 5916 lb 4612 lb 0 lb 0 lb 0 lb 0 lb 0 lb ----- 15623 lb	<b>Structure Notes:</b> 4" CASTING BY OTHERS  LIFTING ANCHORS TO BE INSTALLED ON THE OUTSIDE OF THE STRUCTURE  ICAST TO INSTALL THE INTERNALS  CONTECH'S LOGO AS WELL AS THE INLET AND OUTLET MUST BE STENCILED ONTO THE STRUCTURE
--	---	---

Structure Total: 15623 lb

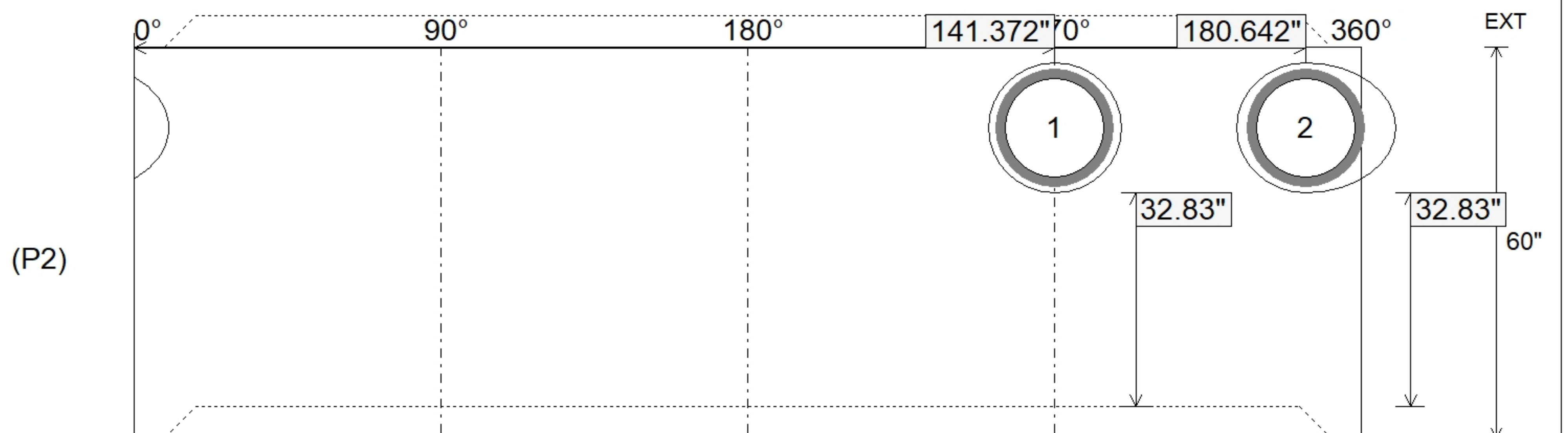
Rim: 689'    Rim to Invert: 5.65'    Slack: 10.88"    Sump: 58.08"    Step Position:

Position	Elev	Angle	Ext. (cw)	Pipe	Pipe OD	Connector	Hole	Horz Size	Up (")	Offset
Invert 1	683.35'	270°	169.646"	15" ADS N-12	18"	Hole 20	20"	20.39"	32.83"	0"
Invert 2	683.35'	315°	213.392"	15" ADS N-12	18"	Hole 20	20"	24.53"	32.83"	15"
Invert 3										
Invert 4										
Invert 5										
Invert 6										
Invert 7										
Invert 8										

**RIGHT-SIDE UP VIEW (int. dimensions)**



**INSIDE WALL DIMENSIONS**



Coating (Int):	Seam Up: Tongue	Wall Thickness: 6"	Height (Int): 60"	Weight (Net): 5916 lb
Coating (Ext):	Seam Dn: Groove	Floor Height: 0"	Height (Ext): 60"	Volume (Net): 1.51cu.yd