

Job Name: 26-1232 - Mustang Village Apartments Ph.1
Job Location: Paducah, KY
Contractor: Wood Brothers

PC: T. Lewis
 TECH: Jared - F
 Plant: 100



Structure ID: **STR 98-49 RISER**

Spec: Sanitary
 Type: SAN.MH
 Size: 48"

Rim: 3'
 Invert: 3'
 Rim to Invert: 0'

Sump: 0"
 Floor (Top): 0'
 Floor Height: 0"

Floor (Bot): 0'
 Overall Height: 3'
 Slack: 0"

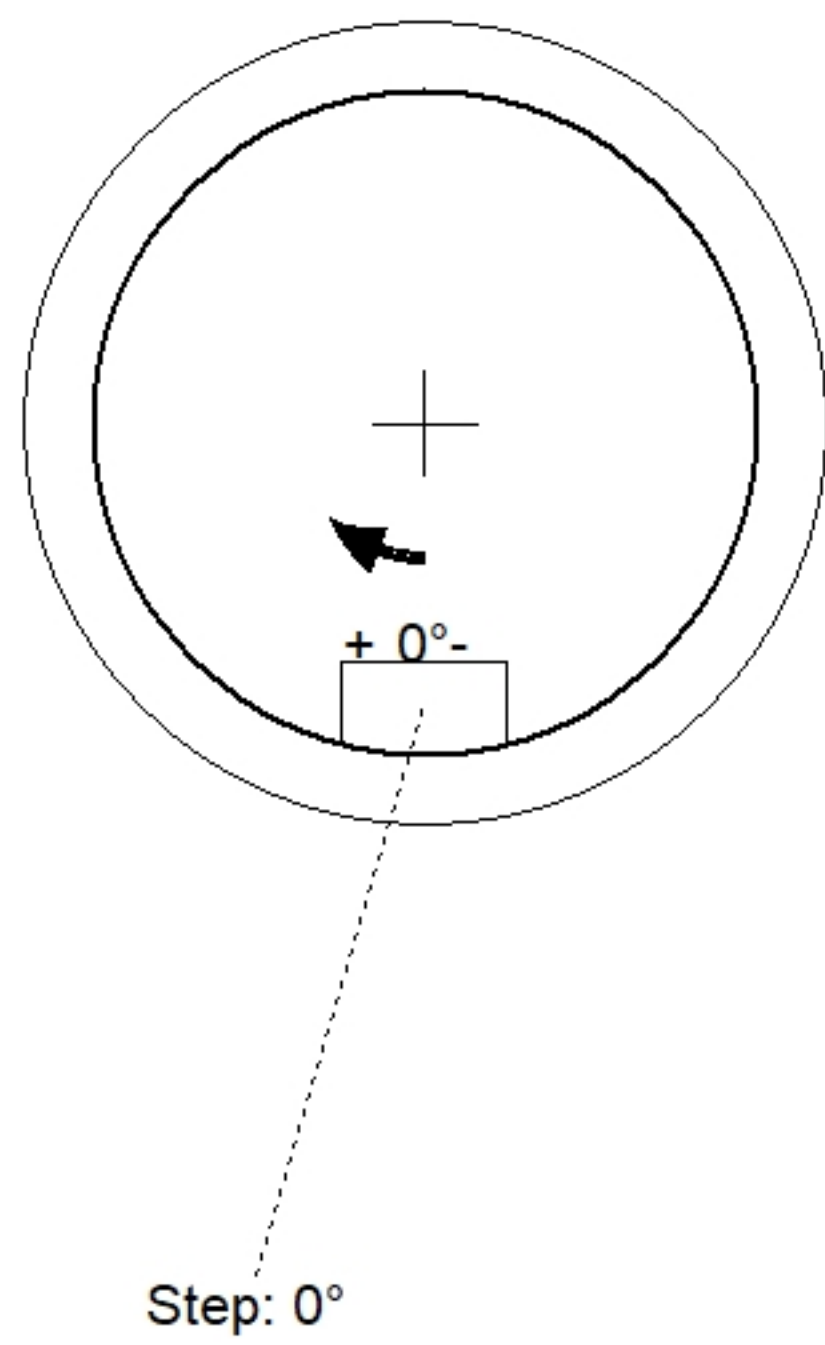
Structure Notes:

1. PER ASTM C478 SPECIFICATIONS.
2. CONCRETE = 4,000 PSI AT 28 DAYS.
3. NO INVERT CHANNEL.
4. NO CASTING

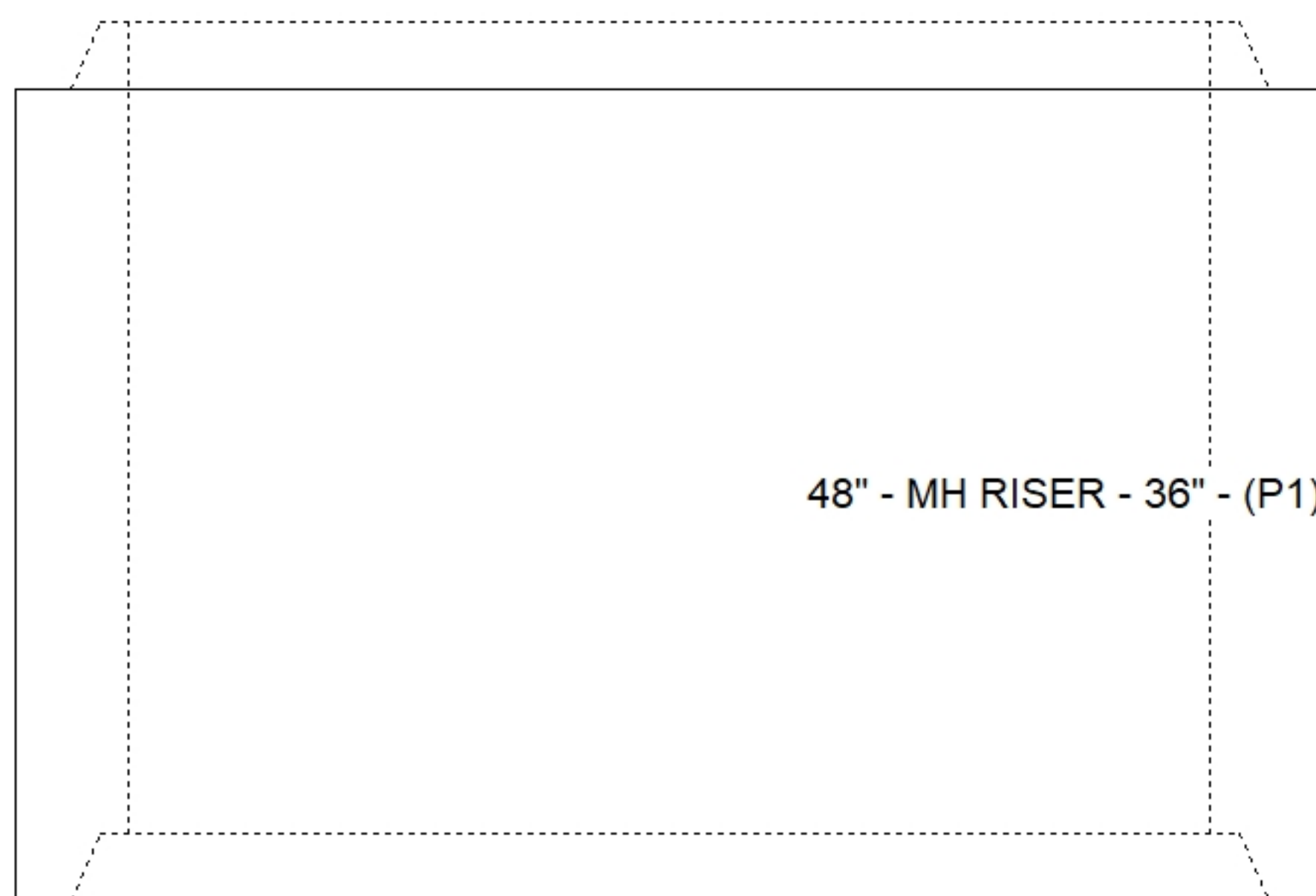
REINFORCING PER ASTM A615 (GRADE 60).
 - RISER/WALLS (As .12)

STRUCTURE SUMMARY:

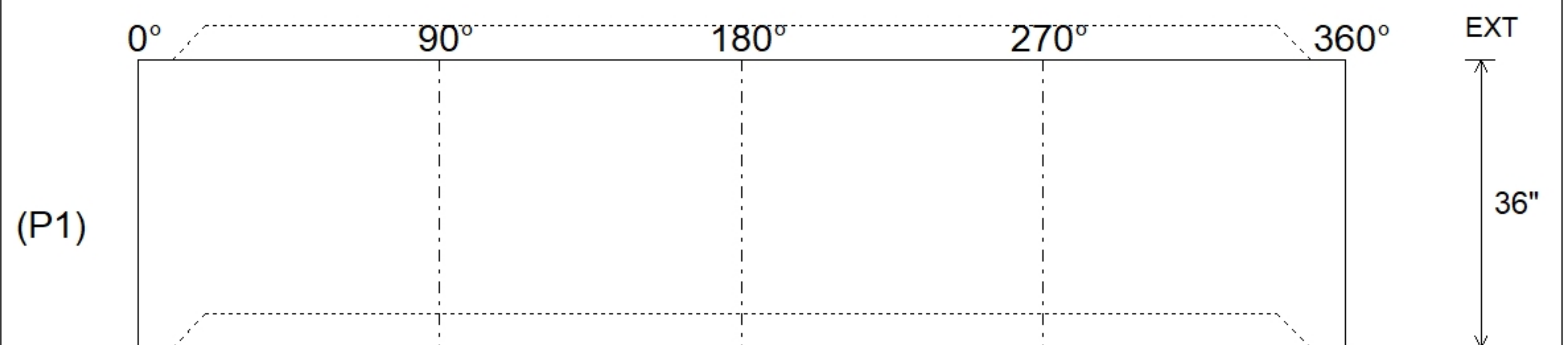
P1) 48" - MH RISER - 36"	2515 lb
1) JOINT WRAP - 0.065"x6"x50' CONSEAL CS212	0 lb
1) JOINT WRAP PRIMER - CONSEAL CS-75 (1 gal.)	0 lb
1) 48" - Conseal CS-102 1.00" (Double)	0 lb
3) MH Step ML-10-TDS-NCR - 10"	0 lb
Structure Total:	2515 lb



Position	Elev	Angle	Pipe	Pipe OD	Hole	Connector	Up ()	Ref
Rim	3'							
Reducer								
Invert 1								
Invert 2								
Invert 3								
Invert 4								
Invert 5								
Invert 6								
Invert 7								
Invert 8								



Default - Interior Dimensions



Submittal Drawing
 4/24/2026 2:05:42 PM

SUBMITTAL
 APPROVED BY: