

Job Name: 26-1232 - Mustang Village Apartments Ph.1
Job Location: Paducah, KY
Contractor: Wood Brothers

PC: T. Lewis
 TECH: Jared - F
 Plant: 100



Structure ID: **STR 91-47 RISER**

Spec: Sanitary
 Type: SAN.MH
 Size: 48"

Rim: 2'
 Invert: 2'
 Rim to Invert: 0'

Sump: 0"
 Floor (Top): 0'
 Floor Height: 0"

Floor (Bot): 0'
 Overall Height: 2'
 Slack: 0"

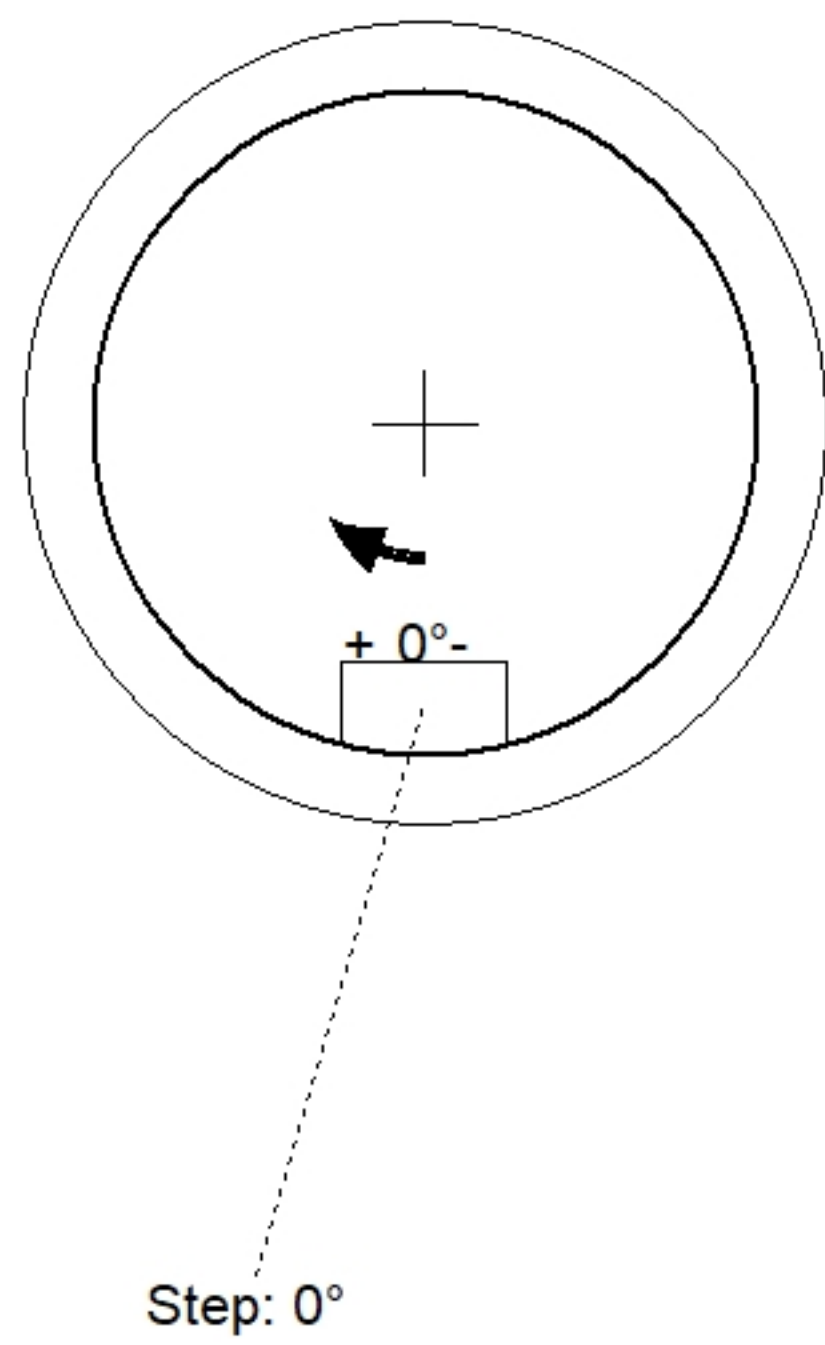
Structure Notes:

1. PER ASTM C478 SPECIFICATIONS.
2. CONCRETE = 4,000 PSI AT 28 DAYS.
3. NO INVERT CHANNEL.
4. NO CASTING

REINFORCING PER ASTM A615 (GRADE 60).
 - RISER/WALLS (As .12)

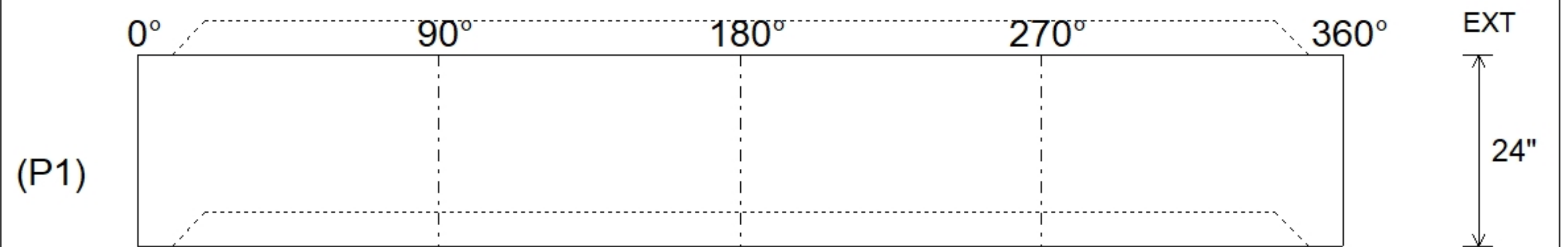
STRUCTURE SUMMARY:

| | |
|---|----------------|
| P1) 48" - MH RISER - 24" | 1677 lb |
| 1) JOINT WRAP - 0.065"x6"x50' CONSEAL CS212 | 0 lb |
| 1) JOINT WRAP PRIMER - CONSEAL CS-75 (1 gal.) | 0 lb |
| 1) 48" - Conseal CS-102 1.00" (Double) | 0 lb |
| 2) MH Step ML-10-TDS-NCR - 10" | 0 lb |
| Structure Total: | 1677 lb |



| Position | Elev | Angle | Pipe | Pipe OD | Hole | Connector | Up () | Ref |
|----------|------|-------|------|---------|------|-----------|--------|-----|
| Rim | 2' | | | | | | | |
| Reducer | | | | | | | | |
| Invert 1 | | | | | | | | |
| Invert 2 | | | | | | | | |
| Invert 3 | | | | | | | | |
| Invert 4 | | | | | | | | |
| Invert 5 | | | | | | | | |
| Invert 6 | | | | | | | | |
| Invert 7 | | | | | | | | |
| Invert 8 | | | | | | | | |

Default - Interior Dimensions



Submittal Drawing
 4/24/2026 2:05:41 PM

SUBMITTAL
 APPROVED BY: