

**Job Name: 26-1232 - Mustang Village Apartments Ph.1**  
**Job Location: Paducah, KY**  
**Contractor: Wood Brothers**

PC: T. Lewis  
 TECH: Jared - F  
 Plant: 100



Structure ID: **SSMH C-2-54 SS-MH**

Spec: Sanitary  
 Type: SAN.MH  
 Size: 48"

Rim: 384.95'  
 Invert: 375.75'  
 Rim to Invert: 9.2'

Sump: 2"  
 Floor (Top): 375.583'  
 Floor Height: 6"

Floor (Bot): 375.083'  
 Overall Height: 9.833'  
 Slack: 0.4"

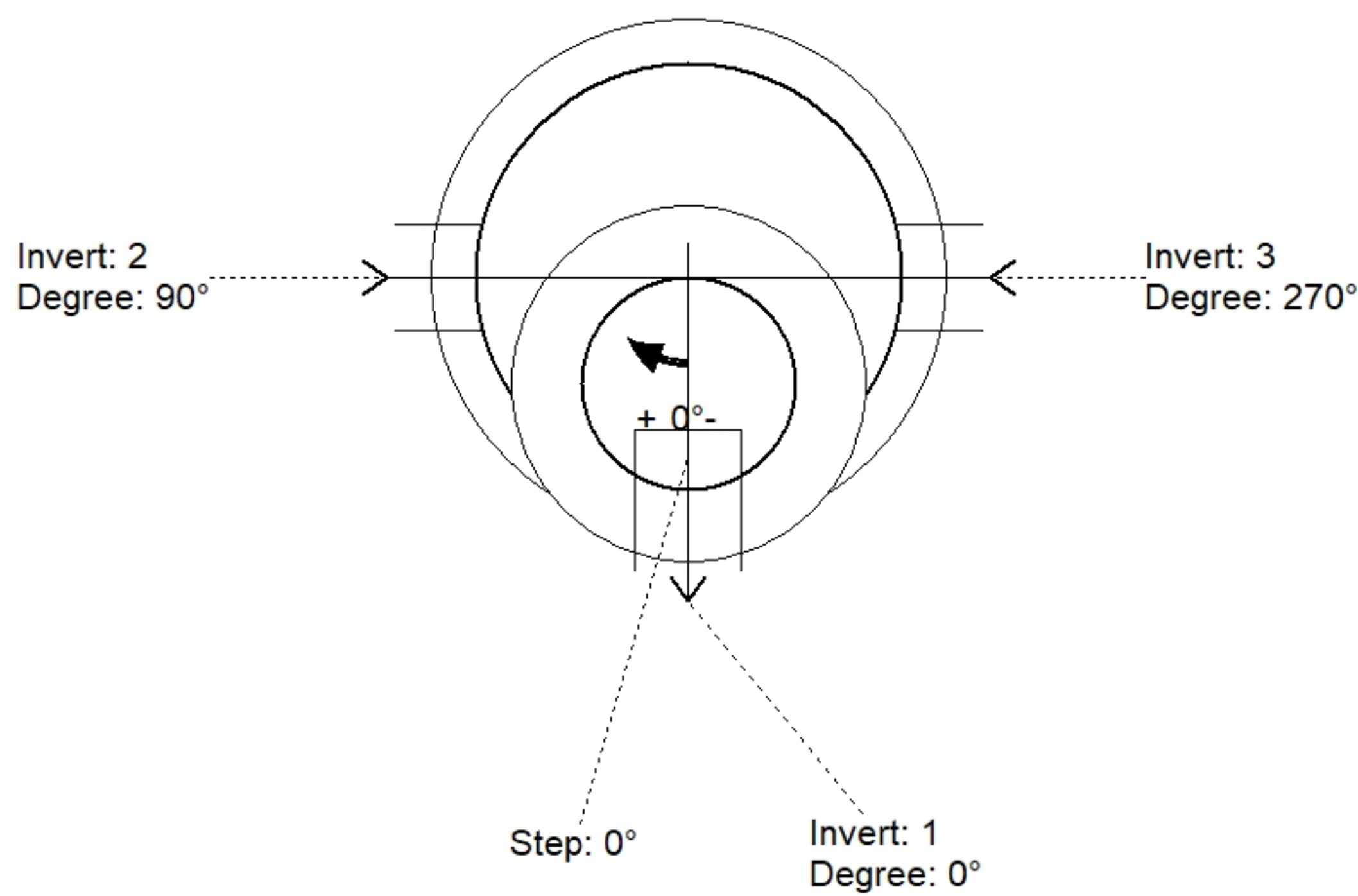
**Structure Notes:**

1. PER ASTM C478 SPECIFICATIONS.
2. CONCRETE = 4,000 PSI AT 28 DAYS.
3. CASTING BY ICAST (HOE MC-375 F/C SANITARY)

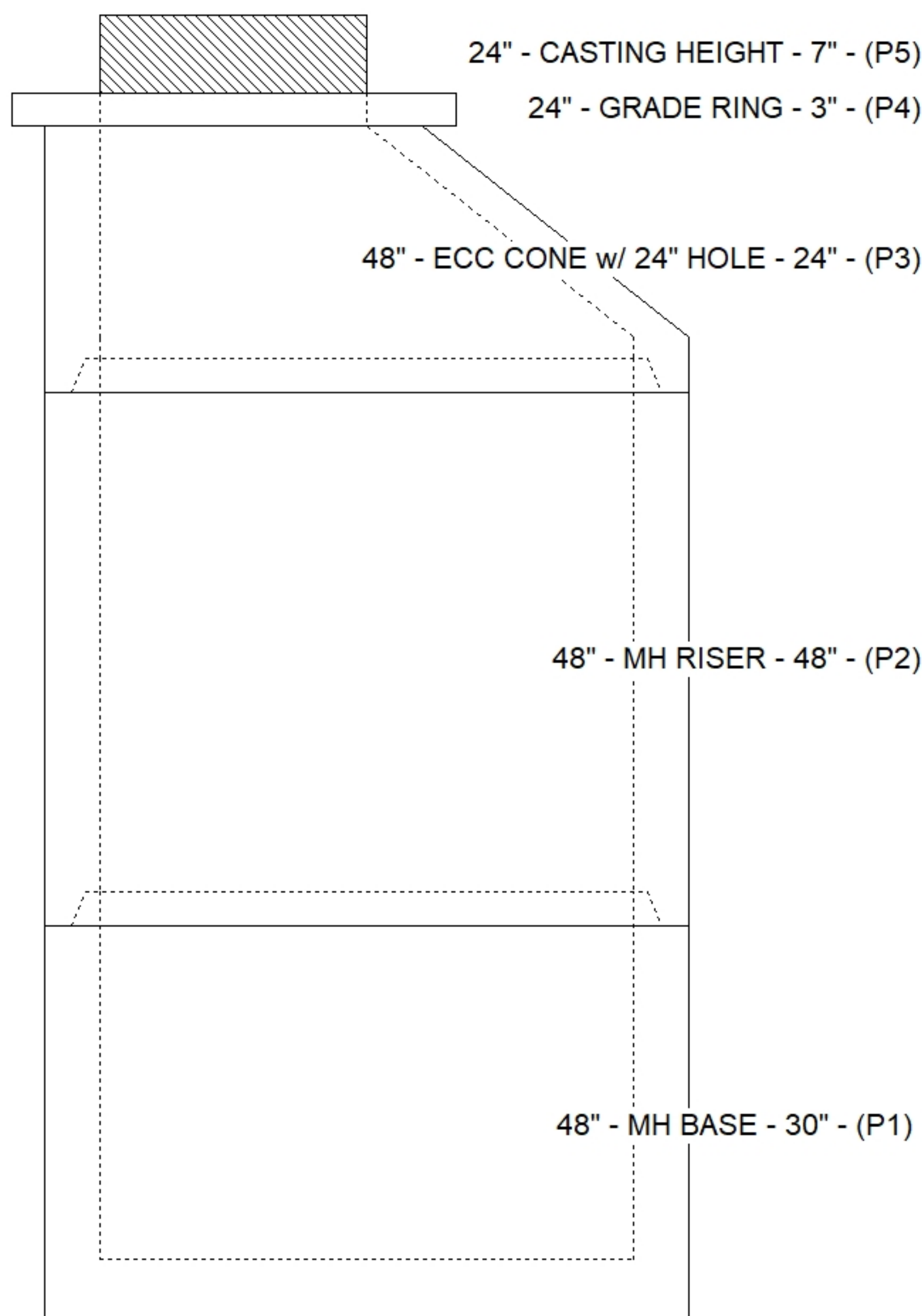
REINFORCING PER ASTM A615 (GRADE 60).  
 - CONE (As .12)  
 - RISER/WALLS (As .12)  
 - FLOOR (As .31) #5 BARS AT 12" C.C.E.W.

**STRUCTURE SUMMARY:**

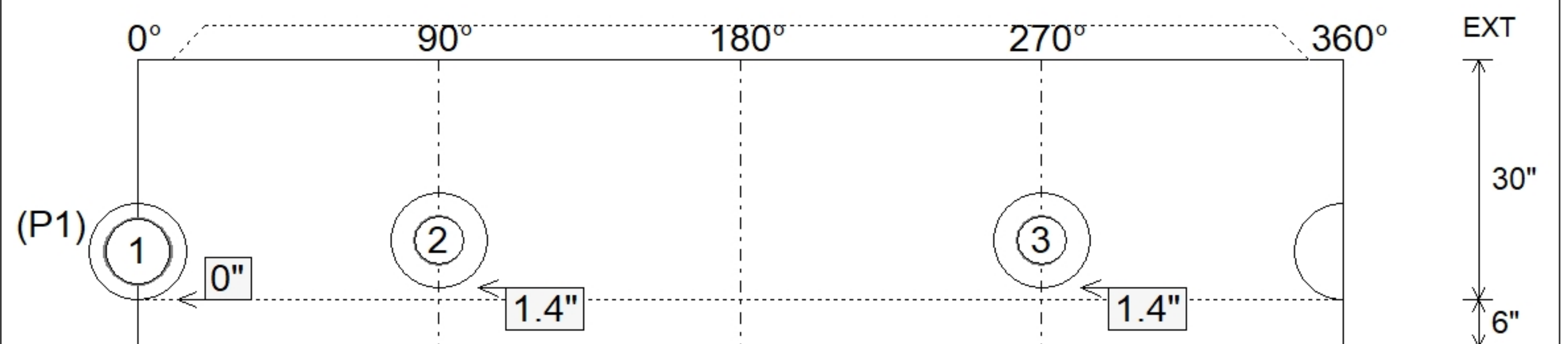
P5) 24" - CASTING HEIGHT - 7"	0 lb
P4) 24" - GRADE RING - 3"	202 lb
P3) 48" - ECC CONE w/ 24" HOLE - 24"	1550 lb
P2) 48" - MH RISER - 48"	3353 lb
P1) 48" - MH BASE - 30"	3282 lb
1) JOINT WRAP - 0.065"x6"x50' CONSEAL CS212	0 lb
1) JOINT WRAP PRIMER - CONSEAL CS-75 (1 gal.)	0 lb
1) 48" - MH INVERT CHANNEL - FULL HEIGHT	1440 lb
1) CASTING - HOE MC-375 F/C Sanitary	271 lb
2) 48" - Conseal CS-102 1.00" (Double)	0 lb
1) PSX - 12-08 NYLO	8 lb
2) PSX - 12-06 NYLO	16 lb
8) MH Step ML-10-TDS-NCR - 10"	0 lb
<b>Structure Total:</b>	<b>10123 lb</b>



Position	Elev	Angle	Pipe	Pipe OD	Hole	Connector	Up (")	Ref
Rim	384.95'							
Reducer								
Invert 1	375.75'	0°	8" PVC SDR35	8.5"	12"	PSX 12-08 NYLO	0"	P1
Invert 2	375.95'	90°	6" PVC SDR35	6.25"	12"	PSX 12-06 NYLO	1.4"	P1
Invert 3	375.95'	270°	6" PVC SDR35	6.25"	12"	PSX 12-06 NYLO	1.4"	P1
Invert 4								
Invert 5								
Invert 6								
Invert 7								
Invert 8								



**Default - Interior Dimensions**



Submittal Drawing  
 4/24/2026 2:05:43 PM

SUBMITTAL  
 APPROVED BY: