

**Job Name: 26-1232 - Mustang Village Apartments Ph.1**  
**Job Location: Paducah, KY**  
**Contractor: Wood Brothers**

PC: T. Lewis  
 TECH: Jared - F  
 Plant: 100

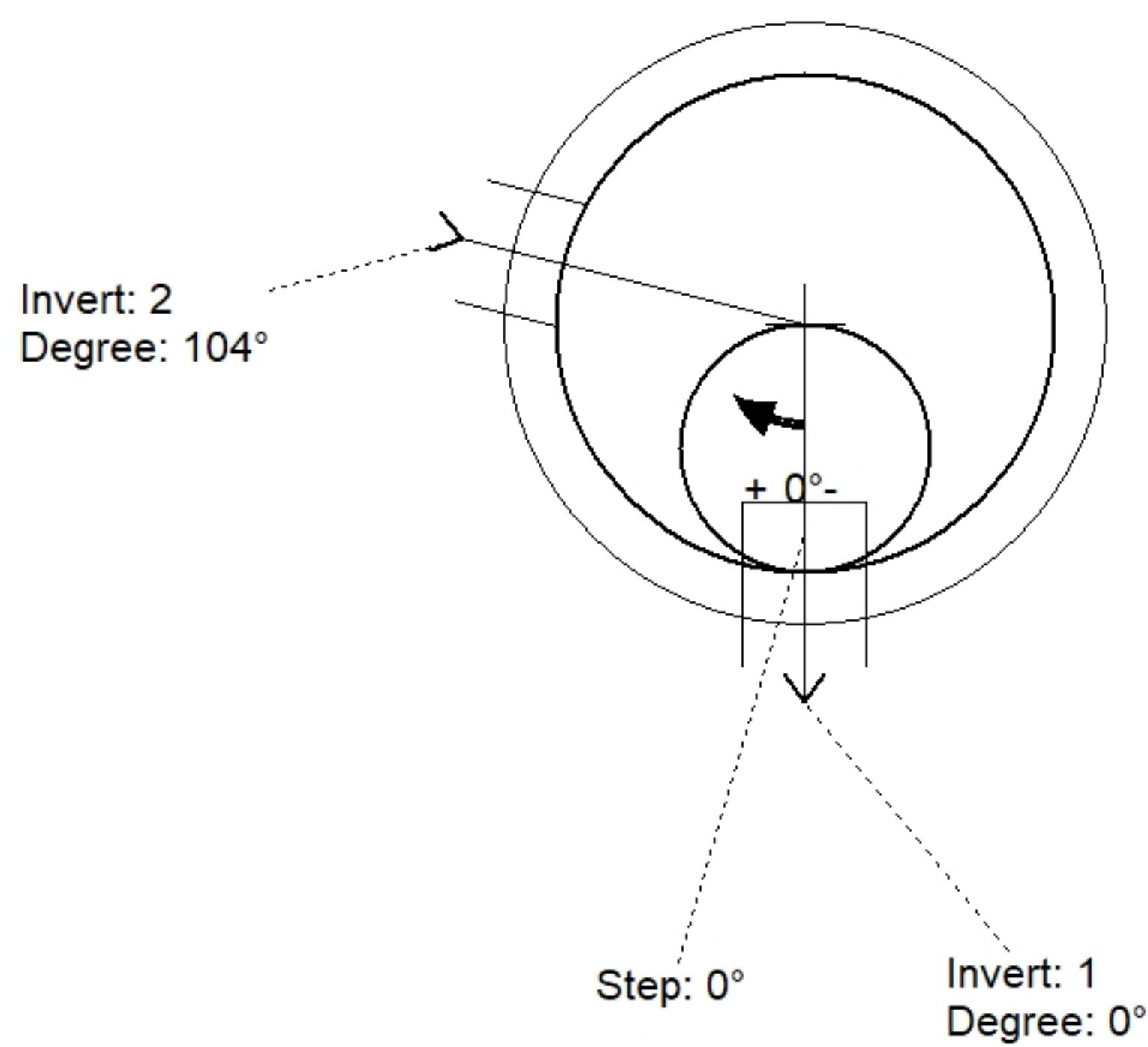


Structure ID: **SSMH B-2-51 SS-MH**  
 Spec: Sanitary Rim: 381.92' Sump: 2" Floor (Bot): 373.253'  
 Type: SAN.MH Invert: 373.92' Floor (Top): 373.753' Overall Height: 8.583'  
 Size: 48" Rim to Invert: 8' Floor Height: 6" Slack: 1"

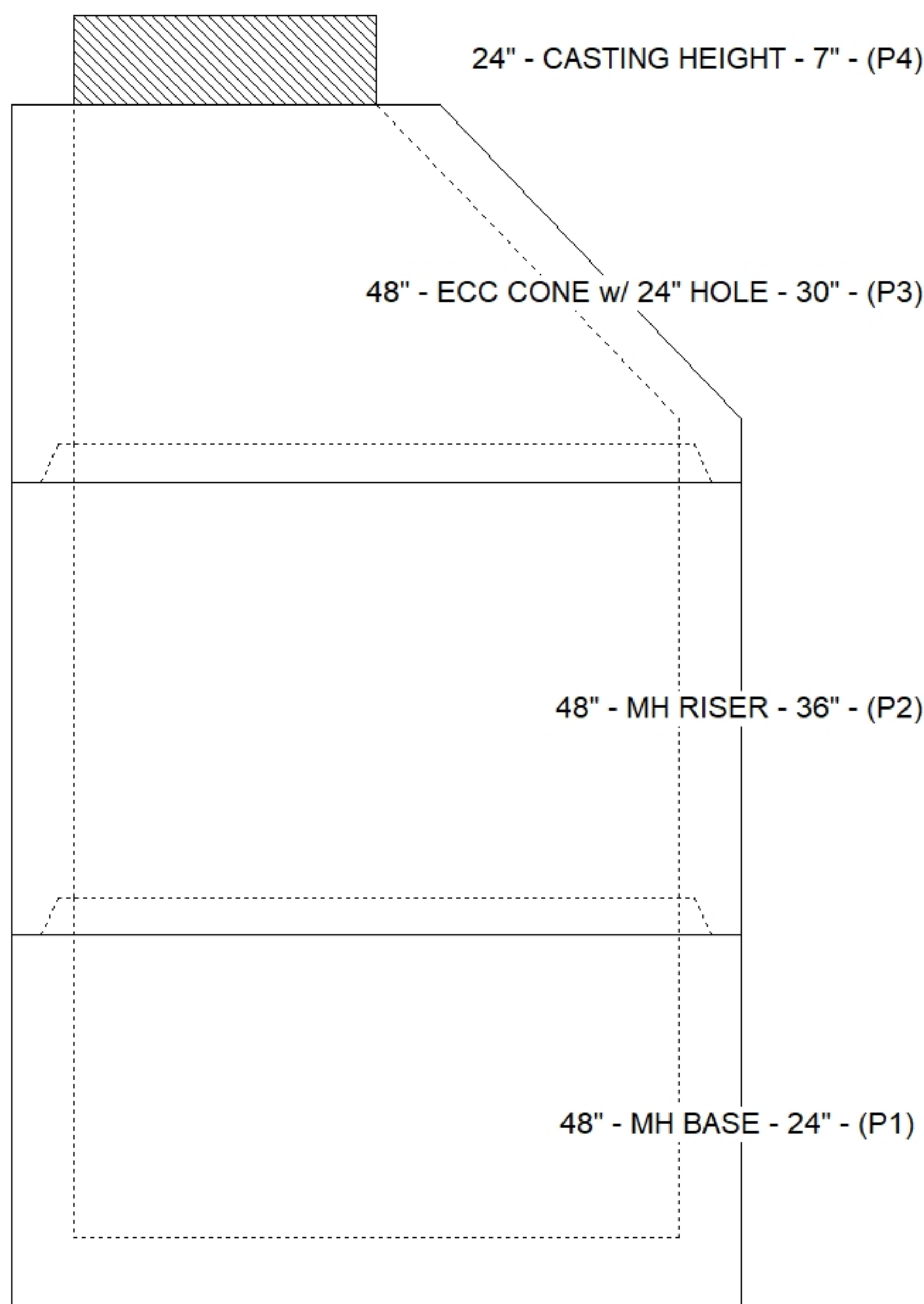
**Structure Notes:**  
 1. PER ASTM C478 SPECIFICATIONS.  
 2. CONCRETE = 4,000 PSI AT 28 DAYS.  
 3. CASTING BY ICAST (HOE MC-375 F/C SANITARY)  
 REINFORCING PER ASTM A615 (GRADE 60).  
 - CONE (As .12)  
 - RISER/WALLS (As .12)  
 - FLOOR (As .31) #5 BARS AT 12" C.C.E.W.

**STRUCTURE SUMMARY:**

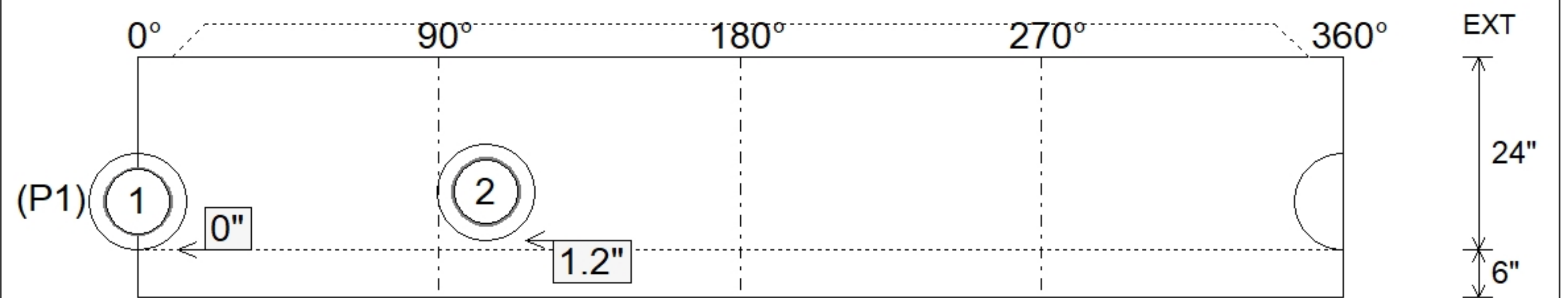
P4) 24" - CASTING HEIGHT - 7"	0 lb
P3) 48" - ECC CONE w/ 24" HOLE - 30"	2050 lb
P2) 48" - MH RISER - 36"	2515 lb
P1) 48" - MH BASE - 24"	2911 lb
1) JOINT WRAP - 0.065"x6"x50' CONSEAL CS212	0 lb
1) JOINT WRAP PRIMER - CONSEAL CS-75 (1 gal.)	0 lb
1) 48" - MH INVERT CHANNEL - FULL HEIGHT	1440 lb
1) CASTING - HOE MC-375 F/C Sanitary	271 lb
2) 48" - Conseal CS-102 1.00" (Double)	0 lb
2) PSX - 12-08 NYLO	16 lb
7) MH Step ML-10-TDS-NCR - 10"	0 lb
<b>Structure Total:</b>	<b>9203 lb</b>



Position	Elev	Angle	Pipe	Pipe OD	Hole	Connector	Up (")	Ref
Rim	381.92'							
Reducer								
Invert 1	373.92'	0°	8" PVC SDR35	8.5"	12"	PSX 12-08 NYLO	0"	P1
Invert 2	374.02'	104°	8" PVC SDR35	8.5"	12"	PSX 12-08 NYLO	1.2"	P1
Invert 3								
Invert 4								
Invert 5								
Invert 6								
Invert 7								
Invert 8								



**Default - Interior Dimensions**



Submittal Drawing  
 4/24/2026 2:05:42 PM

SUBMITTAL  
 APPROVED BY: