

Job Name: 26-1232 - Mustang Village Apartments Ph.1  
 Job Location: Paducah, KY  
 Contractor: Wood Brothers

Plant: 100  
 4/21/2026 8:03:01 PM

Tech: Jared - F  
 PC: T. Lewis



**Structure ID: S9-9 DBI13G**

**P1 BX1527-08BAVF**

**BOX BASE 8inW, 8inF, Variable Ht F/n**

- P2) 15" x 27" - P.I.P. - BY OTHERS - 8"
- P1) 15" x 27" - BOX BASE 8inW, 8inF, Variable Ht F/n - 24"
- 1) CASTING - HOE KY-230-G F/G (GRADE)
- 1) 15" x 27" - Conseal CS-102 1.00"
- 2) Hole - 20
- 2) Hole - 4

0 lb  
 2325 lb  
 237 lb  
 0 lb  
 0 lb  
 0 lb  
 -----  
 Structure Total: 2562 lb

**Structure Notes:**  
 1. KYTC DBI TYPE 13G / ASTM C-913 SPEC'S.  
 2. CONCRETE = 4,000 PSI AT 28 DAYS.  
 3. CASTING BY ICAST (HOE KY-230-G F/G (GRADE)).

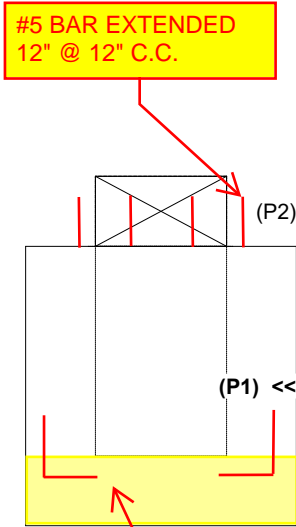
REINFORCING PER ASTM A615 (GRADE 60).  
 - WALLS (As .31) #5 BARS AT 12" C.C.E.W..  
 - FLOOR (As .31) #5 BARS AT 12" C.C.E.W.

Rim: 380.34' Rim to Invert: 2.72' Slack: 0.64" Sump: 0" Step Position:

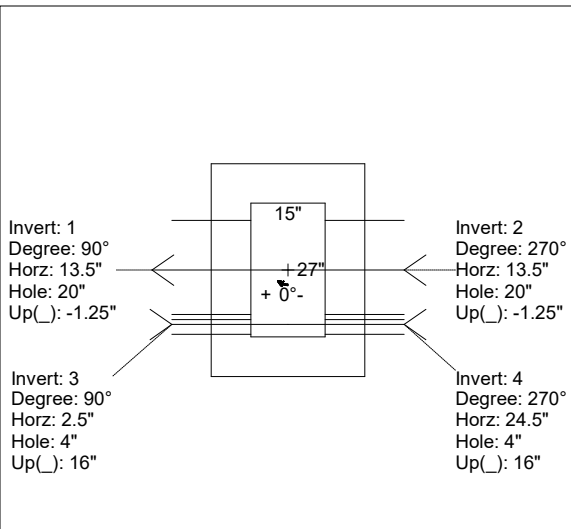
Position	Elev	Angle	Ext. (cw)	Pipe	Pipe OD	Connector	Hole	Horz Size	Up ( )	Offset
Invert 1	377.62'	90°	21.5"	15" HDPE	17.6"	Hole 20	20"	20"	-1.25"	0"
Invert 2	377.62'	270°	21.5"	15" HDPE	17.6"	Hole 20	20"	20"	-1.25"	0"
Invert 3	378.95'	90°	10.5"	4" WEEP HOLE	4"	Hole 4	4"	4"	16"	-11"
Invert 4	378.95'	270°	32.5"	4" WEEP HOLE	4"	Hole 4	4"	4"	16"	11"
Invert 5										
Invert 6										
Invert 7										
Invert 8										

RIGHT-SIDE UP VIEW (int. dimensions)

UPSIDE-DOWN VIEW (int. dimensions)

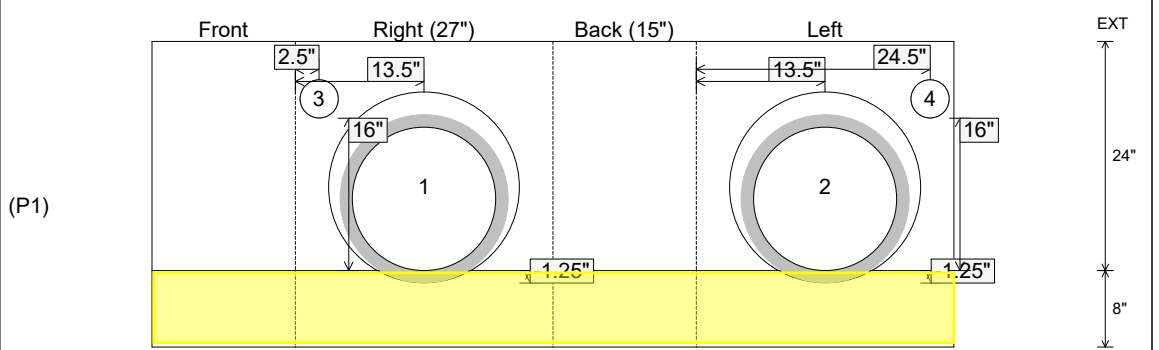


1ST POUR (FLOOR)  
 STUB #5 L BARS OUT  
 TOP FLOOR, SPA AT  
 12" C/C FOR  
 CONNECTING WALLS



1ST POUR (FLOOR) = 1,430 LBS  
 2ND POUR (WALLS) = 895 LBS

INSIDE WALL DIMENSIONS



Coating (Int): Coating (Ext):	Seam Up: Flat Seam Dn: n/a	Wall Thickness: 8" Floor Height: 8"	Height (Int): 24" Height (Ext): 32"	Weight (Net): 2325 lb Volume (Net): 0.59cu.yd
----------------------------------	-------------------------------	--	--	--

Job Name: 26-1232 - Mustang Village Apartments Ph.1  
 Job Location: Paducah, KY  
 Contractor: Wood Brothers

Plant: 100  
 4/21/2026 8:03:01 PM

Tech: Jared - F  
 PC: T. Lewis



**Structure ID: S9-9 DBI13G**

**P1 BX1527-08BAVF**

**BOX BASE 8inW, 8inF, Variable Ht F/n**

- P2) 15" x 27" - P.I.P. - BY OTHERS - 8"
- P1) 15" x 27" - BOX BASE 8inW, 8inF, Variable Ht F/n - 24"
- 1) CASTING - HOE KY-230-G F/G (GRADE)
- 1) 15" x 27" - Conseal CS-102 1.00"
- 2) Hole - 20
- 2) Hole - 4

0 lb  
 2325 lb  
 237 lb  
 0 lb  
 0 lb  
 0 lb  
 -----  
 Structure Total: 2562 lb

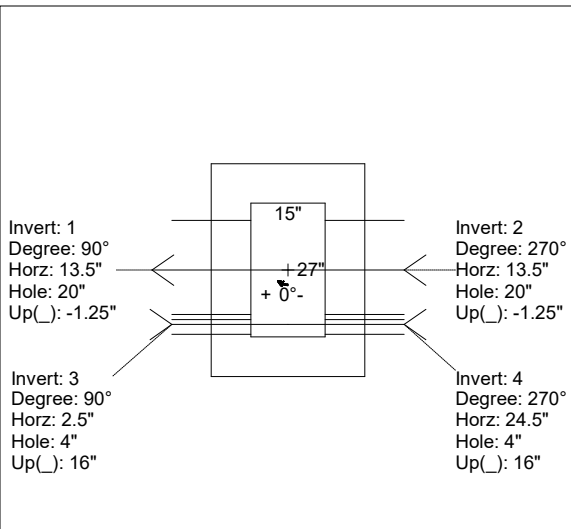
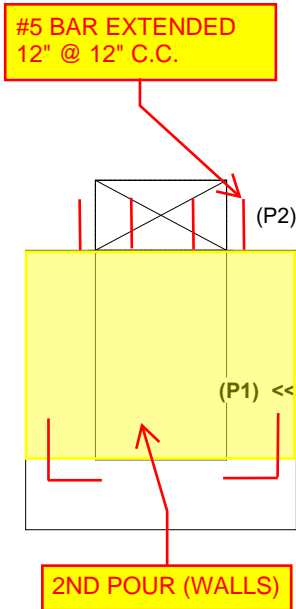
- Structure Notes:**
1. KYTC DBI TYPE 13G / ASTM C-913 SPEC'S.
  2. CONCRETE = 4,000 PSI AT 28 DAYS.
  3. CASTING BY ICAST (HOE KY-230-G F/G (GRADE)).
- REINFORCING PER ASTM A615 (GRADE 60).  
 - WALLS (As .31) #5 BARS AT 12" C.C.E.W..  
 - FLOOR (As .31) #5 BARS AT 12" C.C.E.W.

Rim: 380.34' Rim to Invert: 2.72' Slack: 0.64' Sump: 0" Step Position:

Position	Elev	Angle	Ext. (cw)	Pipe	Pipe OD	Connector	Hole	Horz Size	Up ( )	Offset
Invert 1	377.62'	90°	21.5"	15" HDPE	17.6"	Hole 20	20"	20"	-1.25"	0"
Invert 2	377.62'	270°	21.5"	15" HDPE	17.6"	Hole 20	20"	20"	-1.25"	0"
Invert 3	378.95'	90°	10.5"	4" WEEP HOLE	4"	Hole 4	4"	4"	16"	-11"
Invert 4	378.95'	270°	32.5"	4" WEEP HOLE	4"	Hole 4	4"	4"	16"	11"
Invert 5										
Invert 6										
Invert 7										
Invert 8										

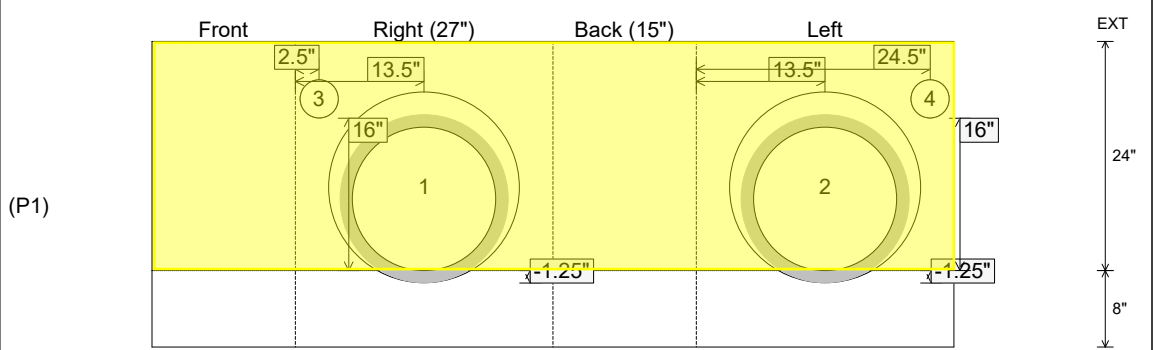
RIGHT-SIDE UP VIEW (int. dimensions)

UPSIDE-DOWN VIEW (int. dimensions)



1ST POUR (FLOOR) = 1,430 LBS  
 2ND POUR (WALLS) = 895 LBS

INSIDE WALL DIMENSIONS



Coating (Int): Coating (Ext):	Seam Up: Flat Seam Dn: n/a	Wall Thickness: 8" Floor Height: 8"	Height (Int): 24" Height (Ext): 32"	Weight (Net): 2325 lb Volume (Net): 0.59cu.yd
----------------------------------	-------------------------------	--	--	--