

Job Name: 26-1232 - Mustang Village Apartments Ph.1
Job Location: Paducah, KY
Contractor: Wood Brothers

PC: T. Lewis
 TECH: Jared - F
 Plant: 100



Structure ID: **S8-8 ST-DBI**
 Spec: Storm
 Type: BX 8inW, 8inF
 Size: 24" x 24"

Rim: 378.62'
 Invert: 375.87'
 Rim to Invert: 2.75'

Sump: 0"
 Floor (Top): 375.87'
 Floor Height: 8"

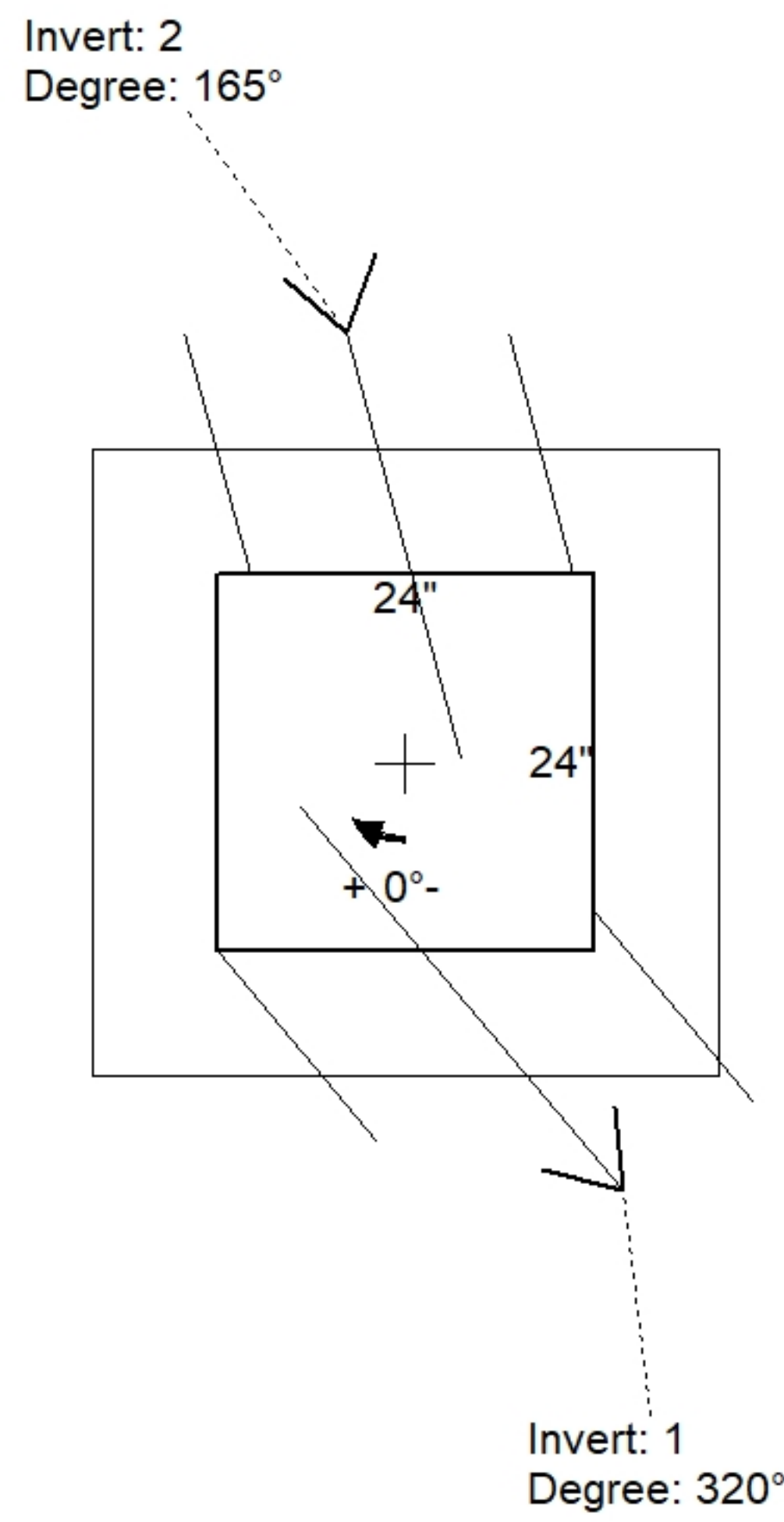
Floor (Bot): 375.203'
 Overall Height: 3.417'
 Slack: 0"

Structure Notes:

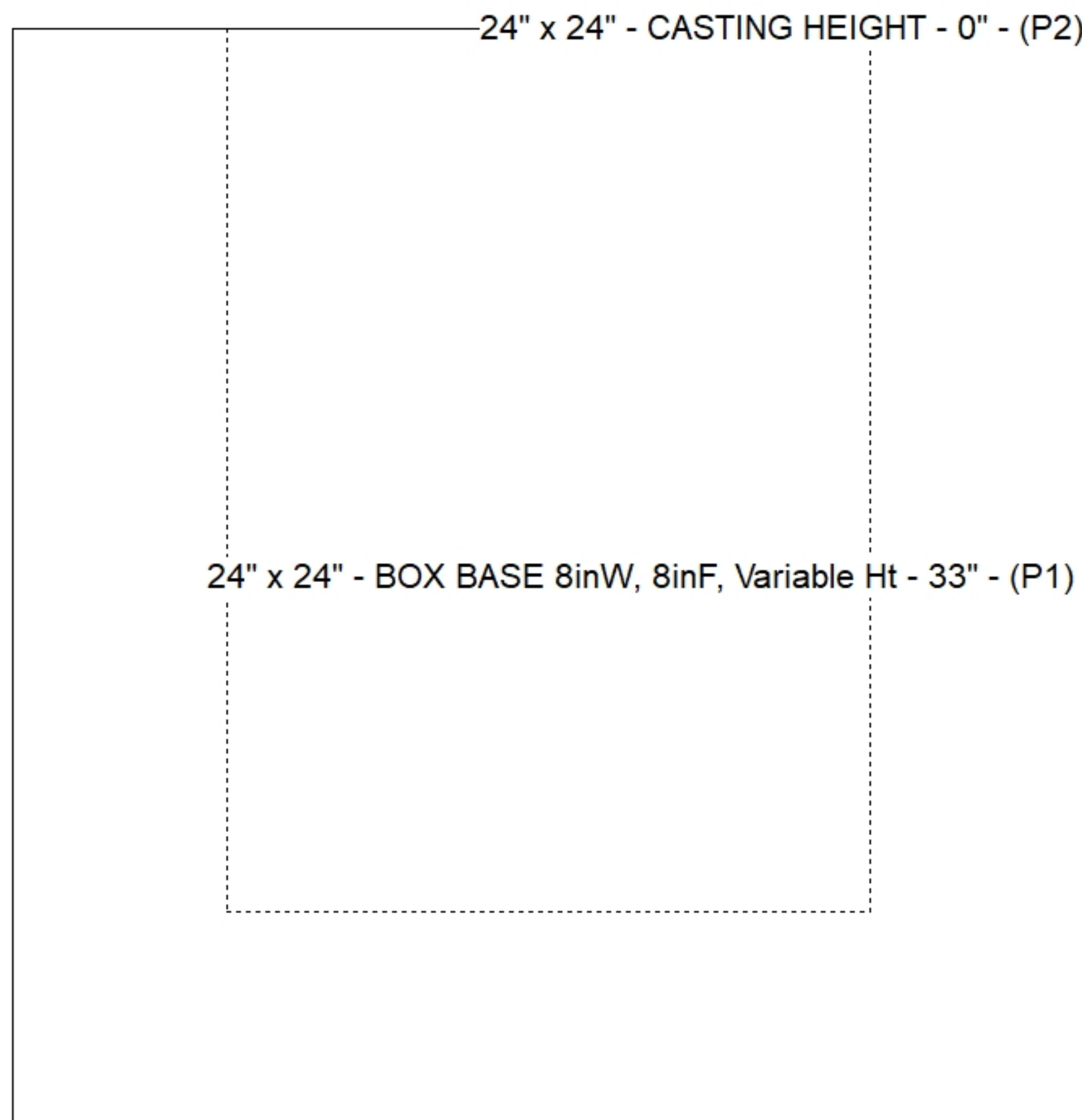
- PER ASTM C913 SPECIFICATIONS.
 - CONCRETE = 4,000 PSI AT 28 DAYS.
 - NO STEPS AND NO INVERT CHANNEL.
 - CASTING BY ICAST (HOE-315 ANGLE F/G)
- REINFORCING PER ASTM A615 (GRADE 60).
 - WALLS (As .12) #5 BARS AT 12" C.C.E.W.
 - FLOOR (As .12) #5 BARS AT 12" C.C.E.W.

STRUCTURE SUMMARY:

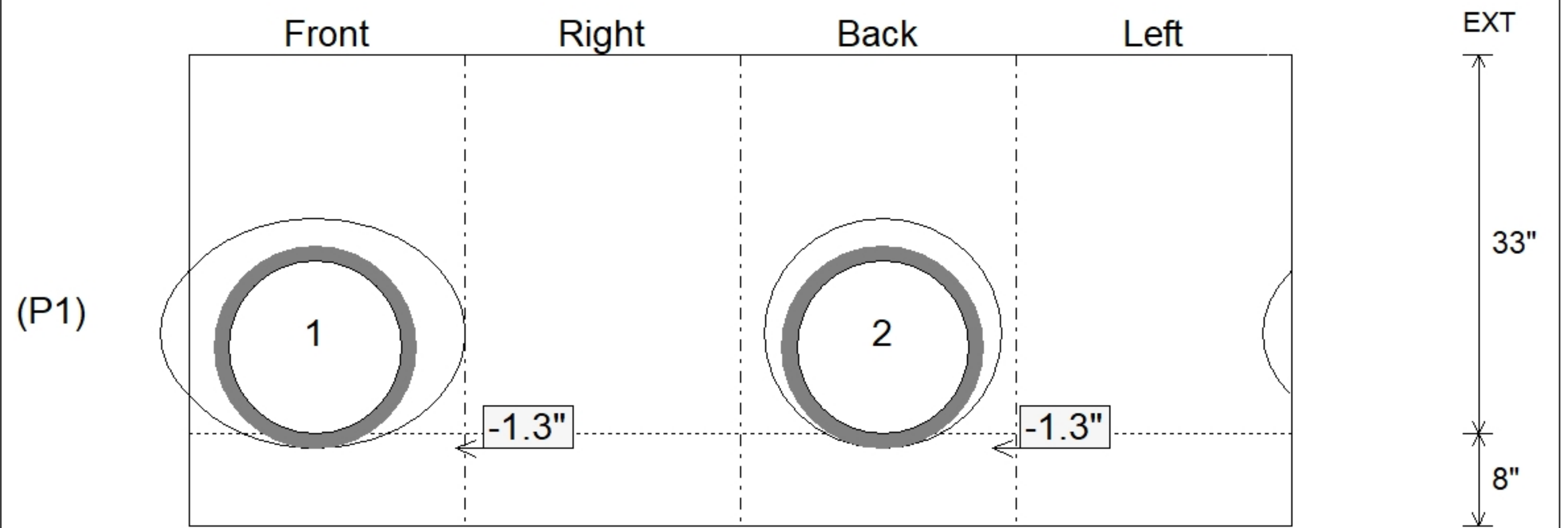
P2) 24" x 24" - CASTING HEIGHT - 0"	0 lb
P1) 24" x 24" - BOX BASE 8inW, 8inF, Variable Ht - 33"	3413 lb
1) CASTING - HOE-315 ANGLE F/G	258 lb
1) 24" x 24" - Conseal CS-102 1.00"	0 lb
2) Hole - 20	0 lb
Structure Total:	3671 lb



Position	Elev	Angle	Pipe	Pipe OD	Hole	Connector	Up ()	Ref
Rim	378.62'							
Reducer								
Invert 1	375.87'	320°	15" HDPE	17.6"	20"	Hole 20	-1.3"	P1
Invert 2	375.87'	165°	15" HDPE	17.6"	20"	Hole 20	-1.3"	P1
Invert 3								
Invert 4								
Invert 5								
Invert 6								
Invert 7								
Invert 8								



Default - Interior Dimensions



Submittal Drawing
 4/24/2026 2:05:24 PM

SUBMITTAL
 APPROVED BY: