

**Job Name: 26-1232 - Mustang Village Apartments Ph.1**  
**Job Location: Paducah, KY**  
**Contractor: Wood Brothers**

PC: T. Lewis  
 TECH: Jared - F  
 Plant: 100



Structure ID: **S41-41 DBI13G**

Spec: KYTC  
 Type: DBI TYPE 13G private  
 Size: 24" x 36"

Rim: 379.93'  
 Invert: 376.3'  
 Rim to Invert: 3.63'

Sump: 0"  
 Floor (Top): 376.3'  
 Floor Height: 8"

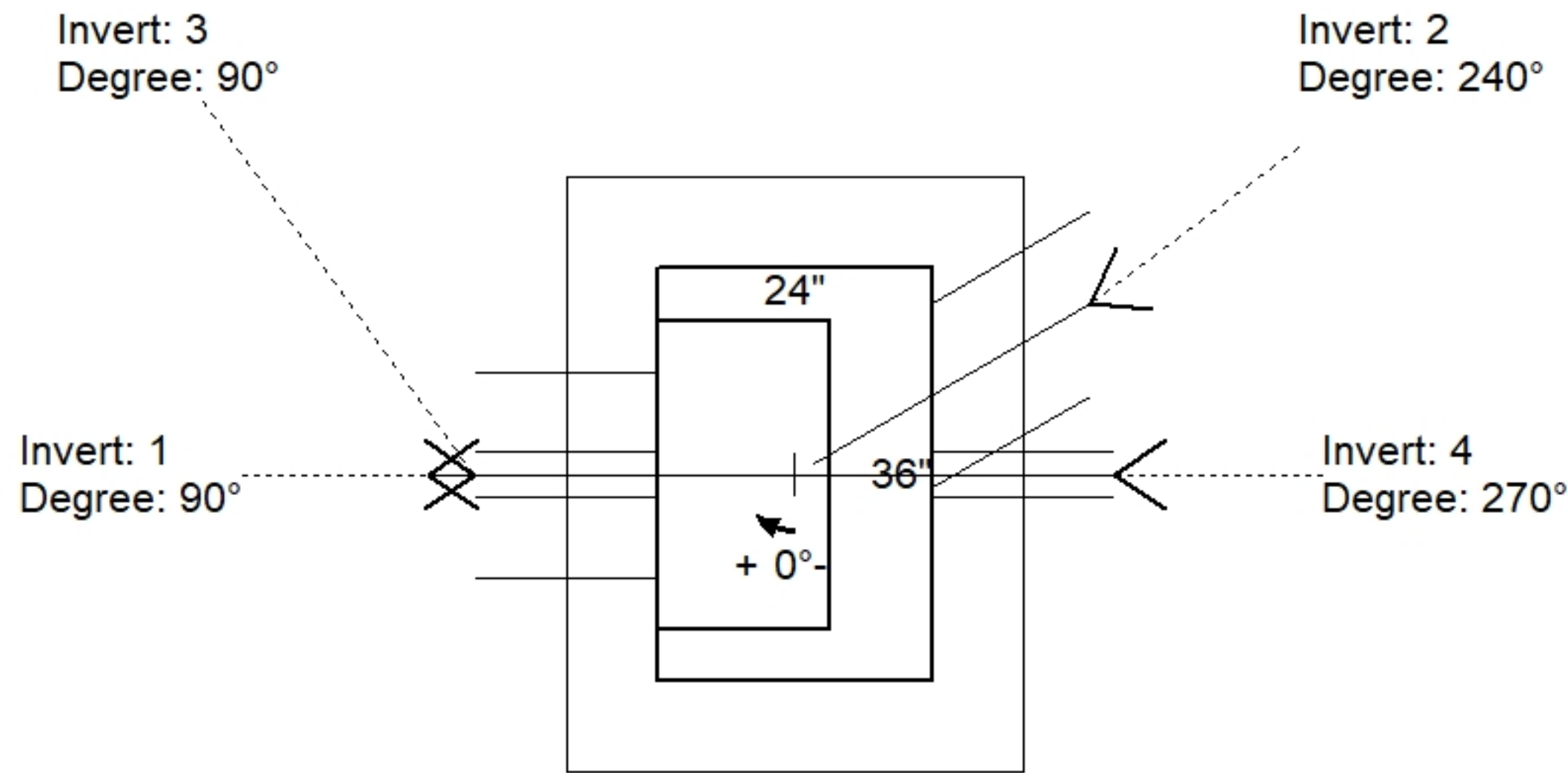
Floor (Bot): 375.633'  
 Overall Height: 4.25'  
 Slack: 0.56"

**Structure Notes:**

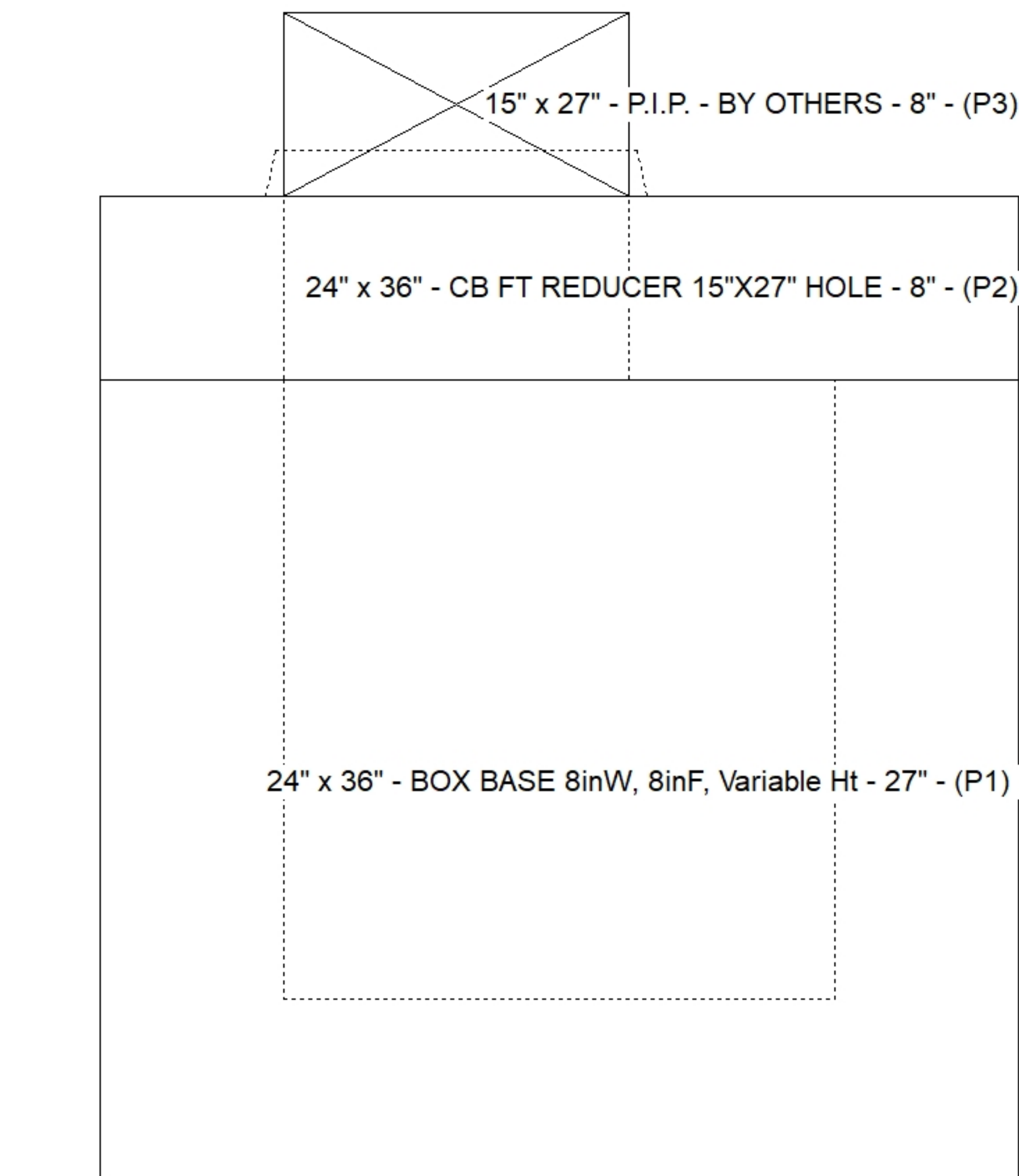
- KYTC DBI TYPE 13G / ASTM C-913 SPEC'S.
  - CONCRETE = 4,000 PSI AT 28 DAYS.
  - CASTING BY ICAST (HOE KY-230-G F/G (GRADE)).
- REINFORCING PER ASTM A615 (GRADE 60).  
 - TRANS. SLAB (As .62) #5 BARS AT 6" C.C.E.W. (DBL MAT).  
 - WALLS (As .31) #5 BARS AT 12" C.C.E.W..  
 - FLOOR (As .31) #5 BARS AT 12" C.C.E.W.

**STRUCTURE SUMMARY:**

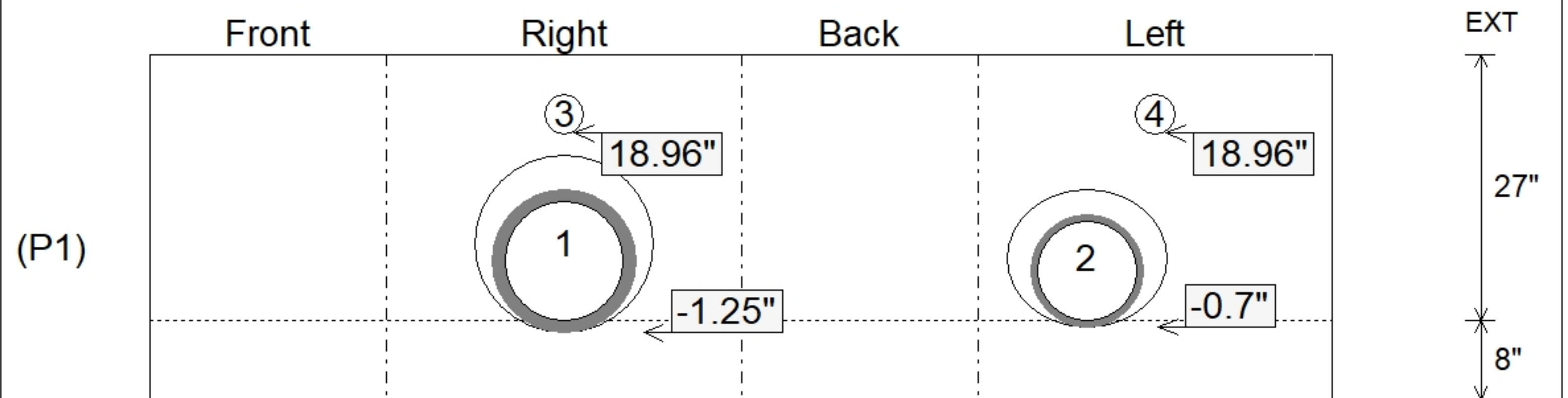
P3) 15" x 27" - P.I.P. - BY OTHERS - 8"	0 lb
P2) 24" x 36" - CB FT REDUCER 15"X27" HOLE - 8"	1124 lb
P1) 24" x 36" - BOX BASE 8inW, 8inF, Variable Ht - 27"	3844 lb
1) CASTING - HOE KY-230-G F/G (GRADE)	237 lb
1) 24" x 36" - Conseal CS-102 1.00"	0 lb
1) 15" x 27" - Conseal CS-102 1.00"	0 lb
1) Hole - 18	0 lb
1) Hole - 14	0 lb
2) Hole - 4	0 lb
<b>Structure Total:</b>	<b>5206 lb</b>



Position	Elev	Angle	Pipe	Pipe OD	Hole	Connector	Up (")	Ref
Rim	379.93'							
Reducer	378.55'							
Invert 1	376.3'	90°	12" HDPE	14.5"	18"	Hole 18	-1.25"	P1
Invert 2	376.3'	240°	10" HDPE	11.4"	14"	Hole 14	-0.7"	P1
Invert 3	377.88'	90°	4" WEEP HOLE	4"	4"	Hole 4	18.96"	P1
Invert 4	377.88'	270°	4" WEEP HOLE	4"	4"	Hole 4	18.96"	P1
Invert 5								
Invert 6								
Invert 7								
Invert 8								



**Default - Interior Dimensions**



Submittal Drawing  
 4/24/2026 2:05:39 PM

SUBMITTAL  
 APPROVED BY: