

**Job Name: 26-1232 - Mustang Village Apartments Ph.1**  
**Job Location: Paducah, KY**  
**Contractor: Wood Brothers**

PC: T. Lewis  
 TECH: Jared - F  
 Plant: 100



Structure ID: **S4-4 DBI13G**

Spec: KYTC  
 Type: DBI TYPE 13G private  
 Size: 24" x 36"

Rim: 374.15'  
 Invert: 369.31'  
 Rim to Invert: 4.84'

Sump: 0"  
 Floor (Top): 369.31'  
 Floor Height: 8"

Floor (Bot): 368.643'  
 Overall Height: 5.5'  
 Slack: 0.08"

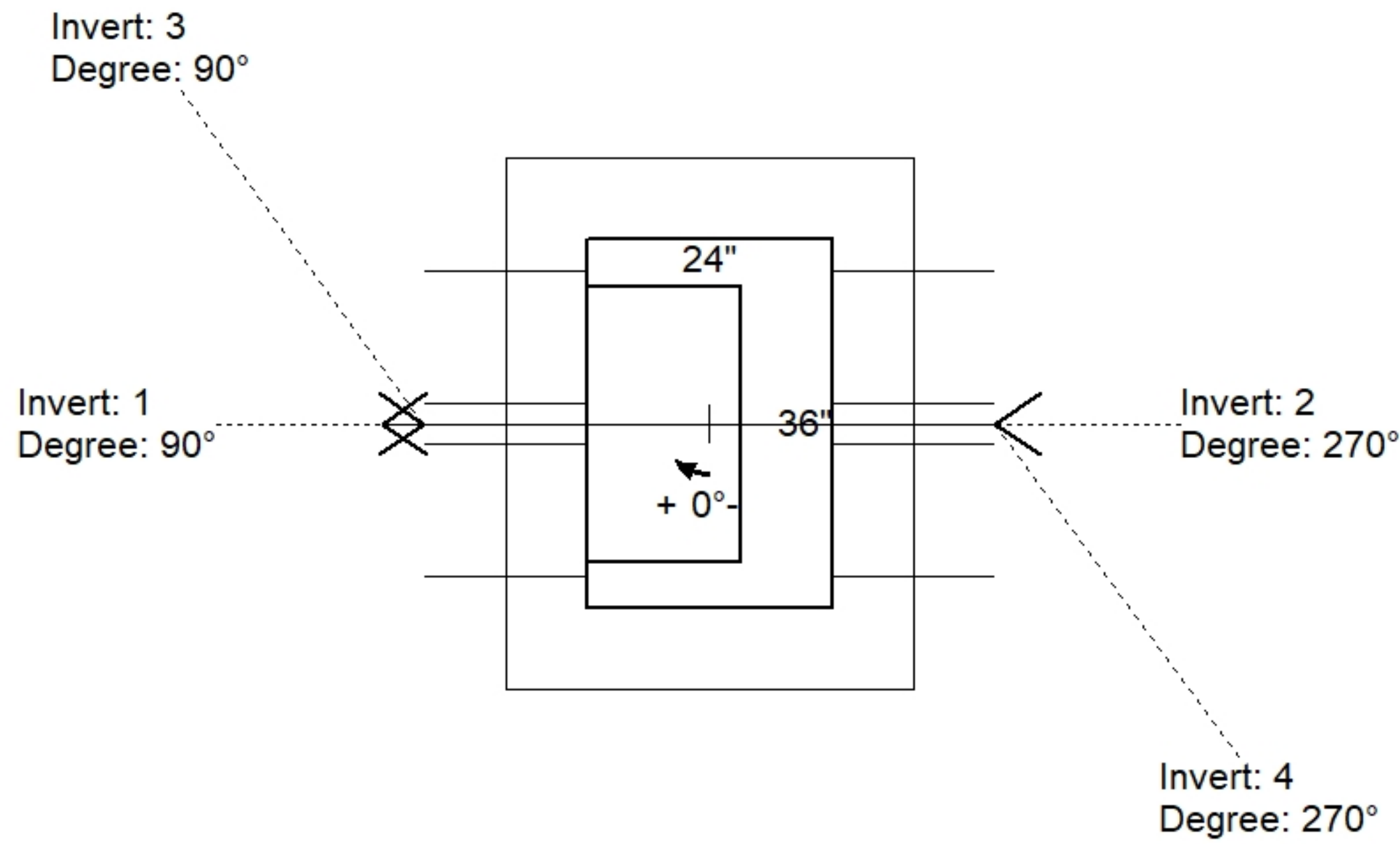
**Structure Notes:**

- KYTC DBI TYPE 13G / ASTM C-913 SPEC'S.
- CONCRETE = 4,000 PSI AT 28 DAYS.
- CASTING BY ICAST (HOE KY-230-G F/G (GRADE)).

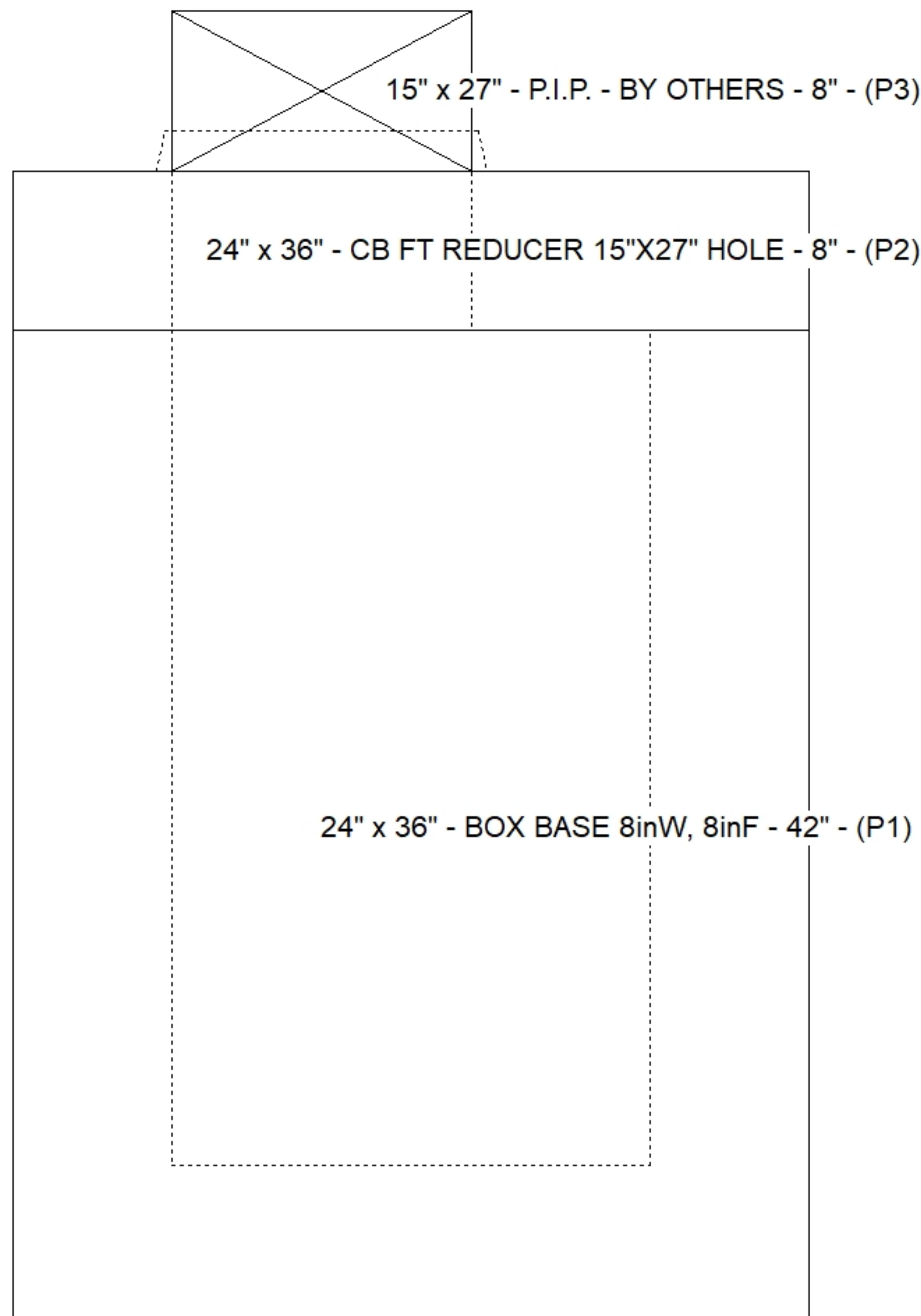
REINFORCING PER ASTM A615 (GRADE 60).  
 - TRANS. SLAB (As .62) #5 BARS AT 6" C.C.E.W. (DBL MAT).  
 - WALLS (As .31) #5 BARS AT 12" C.C.E.W..  
 - FLOOR (As .31) #5 BARS AT 12" C.C.E.W.

**STRUCTURE SUMMARY:**

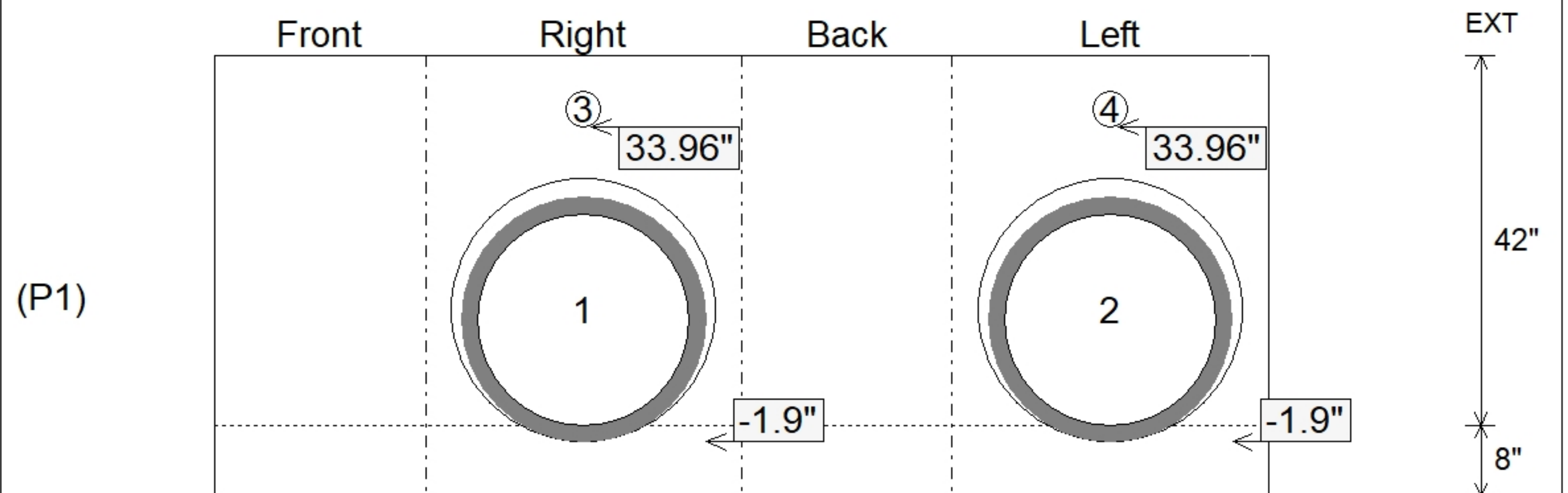
P3) 15" x 27" - P.I.P. - BY OTHERS - 8"	0 lb
P2) 24" x 36" - CB FT REDUCER 15"X27" HOLE - 8"	1124 lb
P1) 24" x 36" - BOX BASE 8inW, 8inF - 42"	4716 lb
1) CASTING - HOE KY-230-G F/G (GRADE)	237 lb
1) 24" x 36" - Conseal CS-102 1.00"	0 lb
1) 15" x 27" - Conseal CS-102 1.00"	0 lb
2) Hole - 30	0 lb
2) Hole - 4	0 lb
<b>Structure Total:</b>	<b>6077 lb</b>



Position	Elev	Angle	Pipe	Pipe OD	Hole	Connector	Up ( )	Ref
Rim	374.15'							
Reducer	372.81'							
Invert 1	369.31'	90°	24" HDPE	27.8"	30"	Hole 30	-1.9"	P1
Invert 2	369.31'	270°	24" HDPE	27.8"	30"	Hole 30	-1.9"	P1
Invert 3	372.14'	90°	4" WEEP HOLE	4"	4"	Hole 4	33.96"	P1
Invert 4	372.14'	270°	4" WEEP HOLE	4"	4"	Hole 4	33.96"	P1
Invert 5								
Invert 6								
Invert 7								
Invert 8								



**Default - Interior Dimensions**



Submittal Drawing  
 4/24/2026 2:05:22 PM

SUBMITTAL  
 APPROVED BY: