

Job Name: 26-1232 - Mustang Village Apartments Ph.1
Job Location: Paducah, KY
Contractor: Wood Brothers

PC: T. Lewis
 TECH: Jared - F
 Plant: 100



Structure ID: **S37-37 DBI13G**

Spec: KYTC
 Type: DBI TYPE 13G private
 Size: 24" x 36"

Rim: 382.75'
 Invert: 378.53'
 Rim to Invert: 4.22'

Sump: 0"
 Floor (Top): 378.53'
 Floor Height: 8"

Floor (Bot): 377.863'
 Overall Height: 4.833'
 Slack: 0.64"

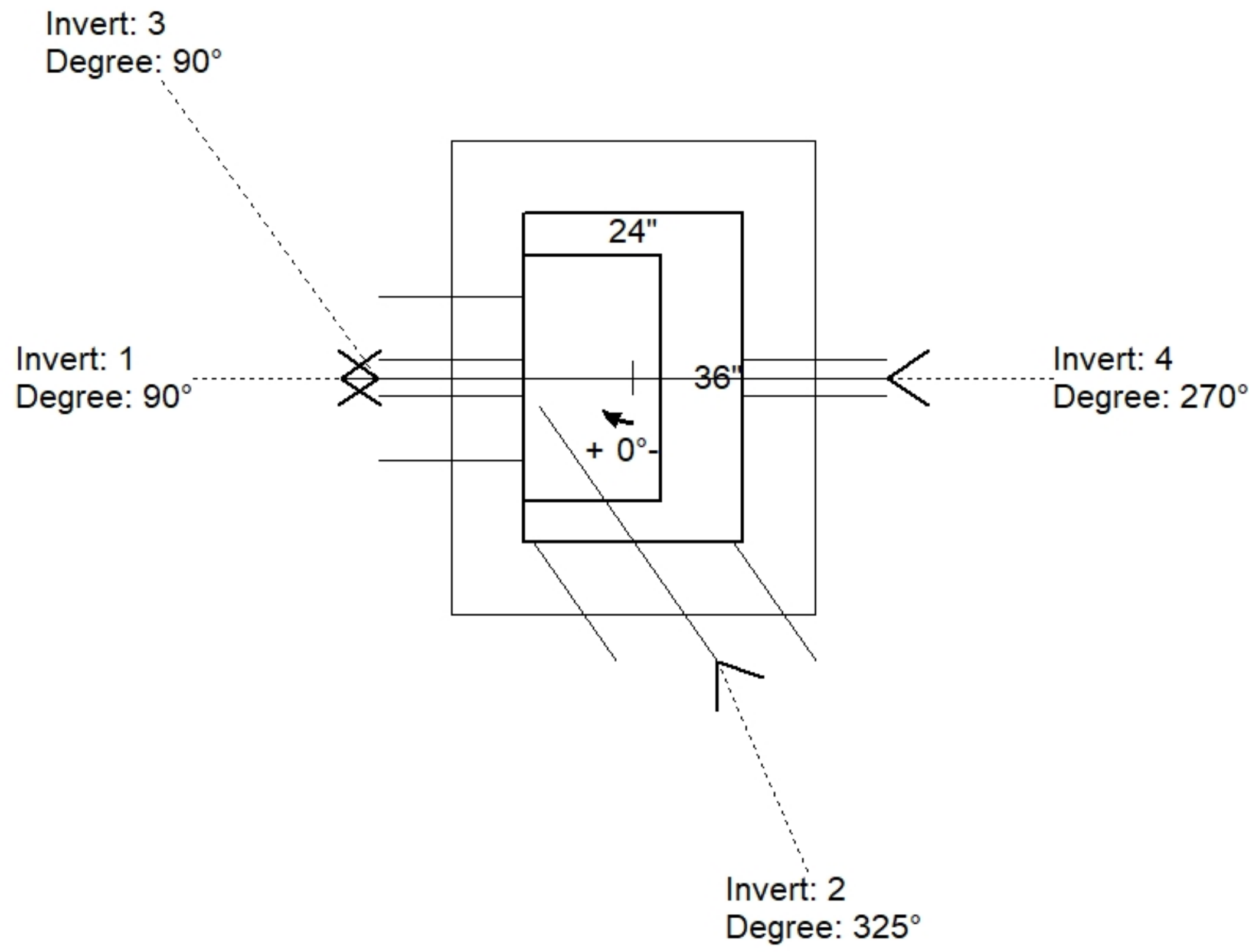
Structure Notes:

- KYTC DBI TYPE 13G / ASTM C-913 SPEC'S.
- CONCRETE = 4,000 PSI AT 28 DAYS.
- CASTING BY ICAST (HOE KY-230-G F/G (GRADE)).

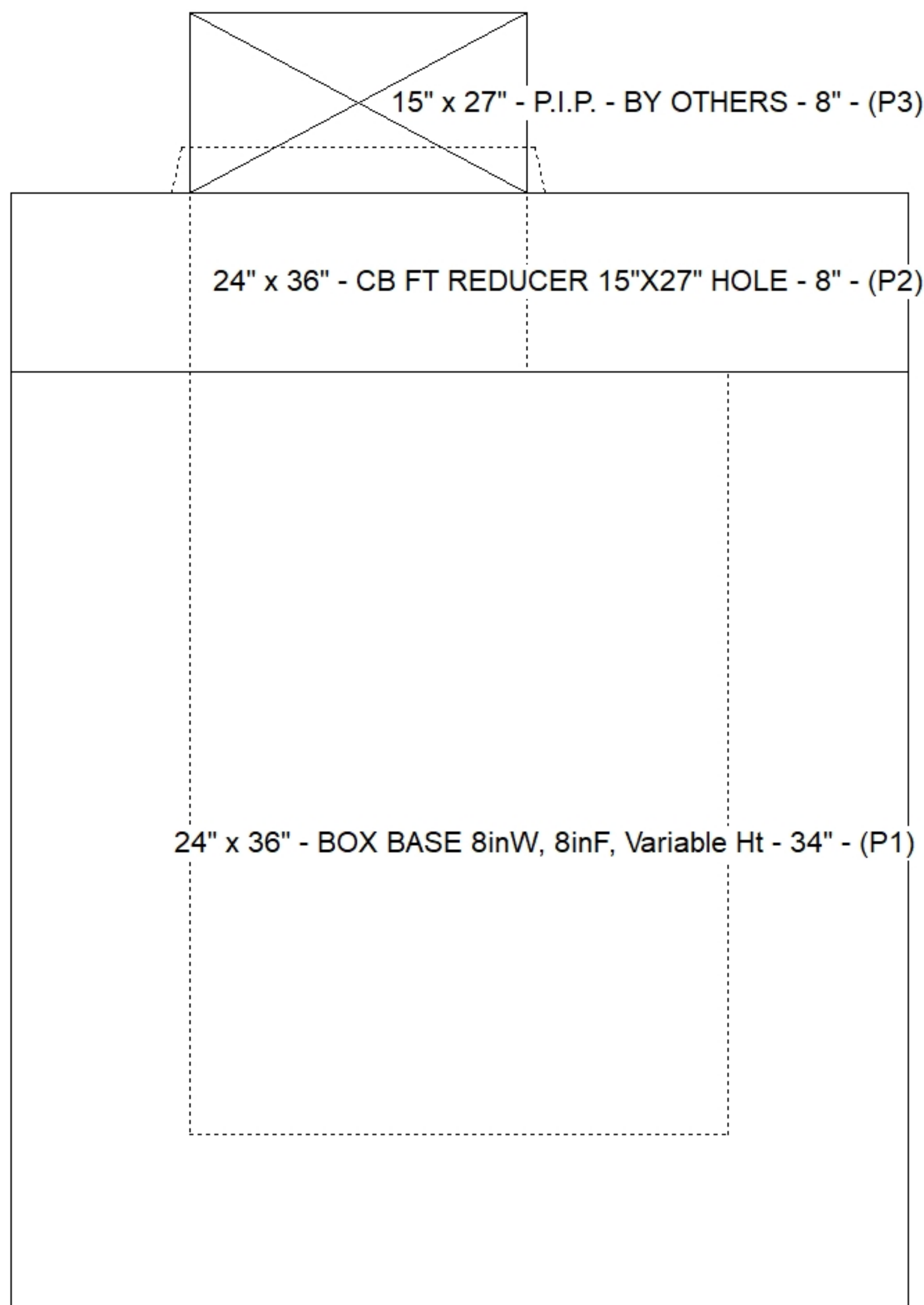
REINFORCING PER ASTM A615 (GRADE 60).
 - TRANS. SLAB (As .62) #5 BARS AT 6" C.C.E.W. (DBL MAT).
 - WALLS (As .31) #5 BARS AT 12" C.C.E.W..
 - FLOOR (As .31) #5 BARS AT 12" C.C.E.W.

STRUCTURE SUMMARY:

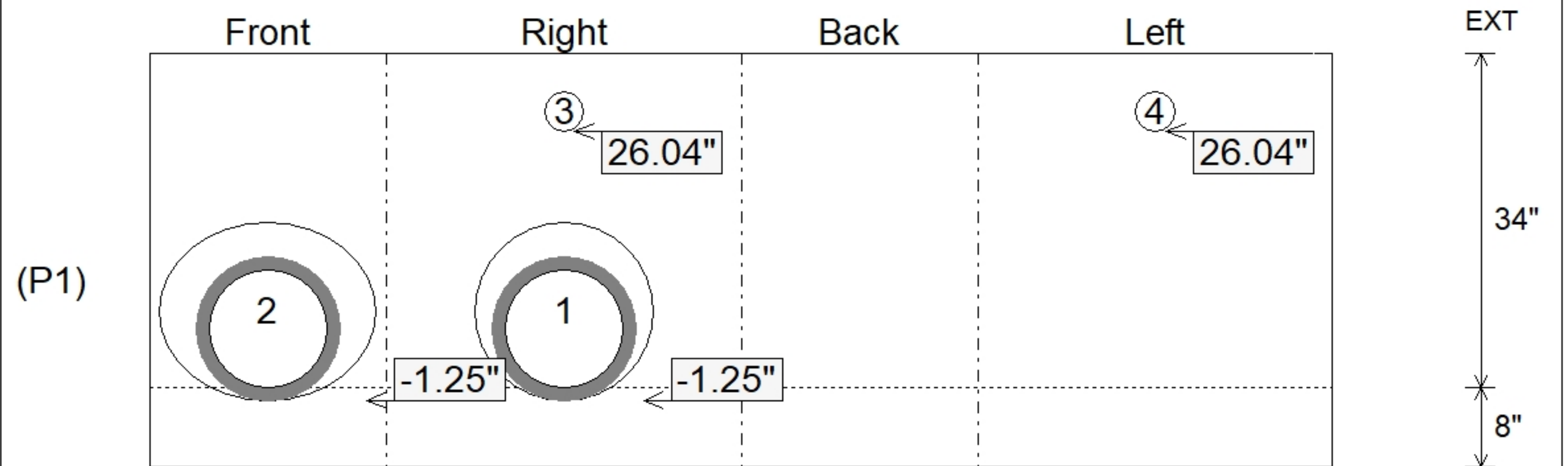
| | |
|--|----------------|
| P3) 15" x 27" - P.I.P. - BY OTHERS - 8" | 0 lb |
| P2) 24" x 36" - CB FT REDUCER 15"X27" HOLE - 8" | 1124 lb |
| P1) 24" x 36" - BOX BASE 8inW, 8inF, Variable Ht - 34" | 4469 lb |
| 1) CASTING - HOE KY-230-G F/G (GRADE) | 237 lb |
| 1) 24" x 36" - Conseal CS-102 1.00" | 0 lb |
| 1) 15" x 27" - Conseal CS-102 1.00" | 0 lb |
| 2) Hole - 18 | 0 lb |
| 2) Hole - 4 | 0 lb |
| Structure Total: | 5831 lb |



| Position | Elev | Angle | Pipe | Pipe OD | Hole | Connector | Up (") | Ref |
|----------|----------|-------|--------------|---------|------|-----------|--------|-----|
| Rim | 382.75' | | | | | | | |
| Reducer | 381.363' | | | | | | | |
| Invert 1 | 378.53' | 90° | 12" HDPE | 14.5" | 18" | Hole 18 | -1.25" | P1 |
| Invert 2 | 378.53' | 325° | 12" HDPE | 14.5" | 18" | Hole 18 | -1.25" | P1 |
| Invert 3 | 380.7' | 90° | 4" WEEP HOLE | 4" | 4" | Hole 4 | 26.04" | P1 |
| Invert 4 | 380.7' | 270° | 4" WEEP HOLE | 4" | 4" | Hole 4 | 26.04" | P1 |
| Invert 5 | | | | | | | | |
| Invert 6 | | | | | | | | |
| Invert 7 | | | | | | | | |
| Invert 8 | | | | | | | | |



Default - Interior Dimensions



Submittal Drawing
 4/24/2026 2:05:38 PM

SUBMITTAL
 APPROVED BY: