

Job Name: 26-1232 - Mustang Village Apartments Ph.1
Job Location: Paducah, KY
Contractor: Wood Brothers

PC: T. Lewis
 TECH: Jared - F
 Plant: 100



Structure ID: S36-36 ST-DBI

Spec: Storm
 Type: BX 8inW, 8inF
 Size: 24" x 24"

Rim: 383.7'
 Invert: 381.2'
 Rim to Invert: 2.5'

Sump: 0"
 Floor (Top): 381.2'
 Floor Height: 8"

Floor (Bot): 380.533'
 Overall Height: 3.167'
 Slack: 0"

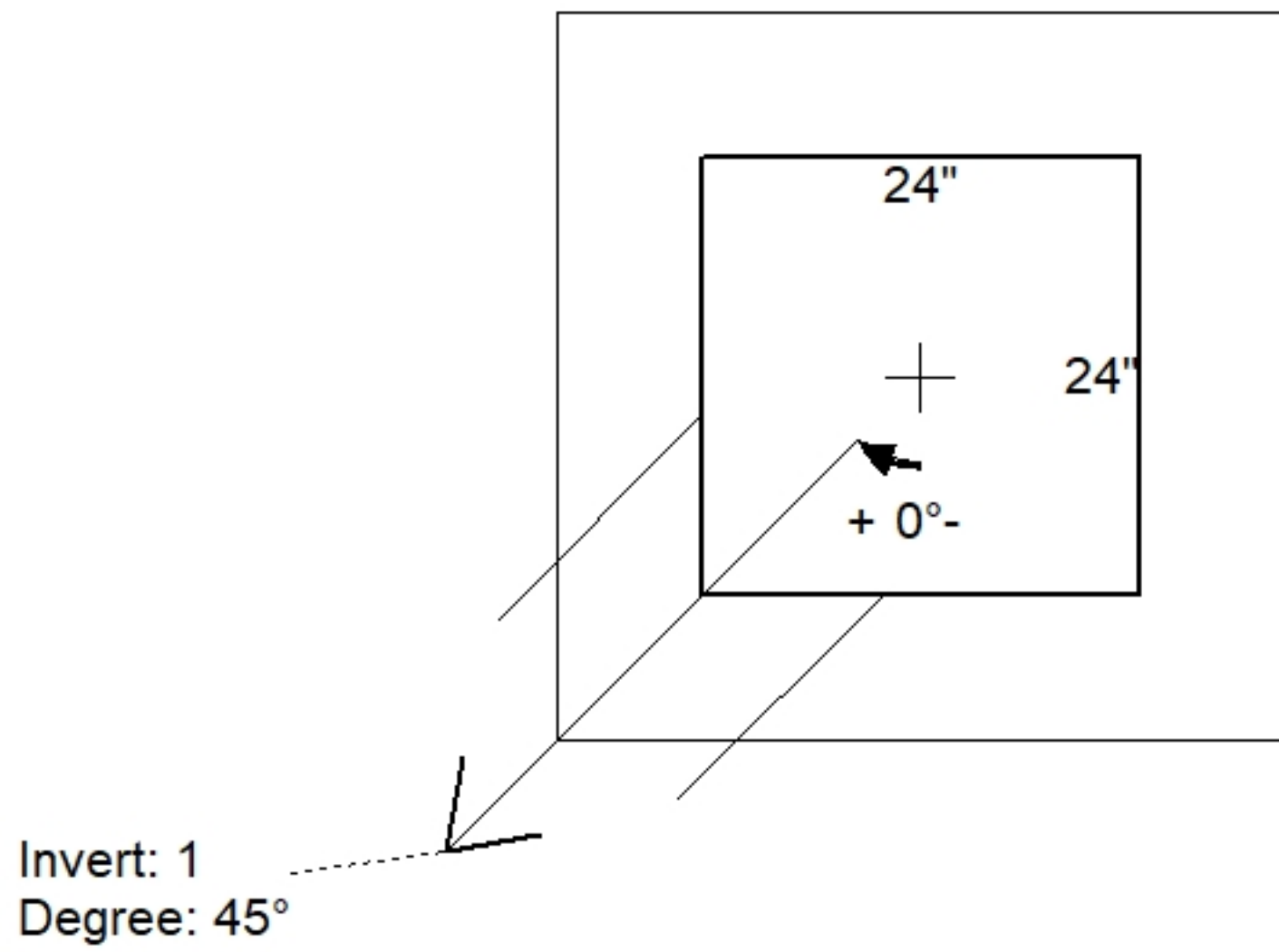
Structure Notes:

1. PER ASTM C913 SPECIFICATIONS.
 2. CONCRETE = 4,000 PSI AT 28 DAYS.
 3. NO STEPS AND NO INVERT CHANNEL.
 4. CASTING BY ICAST (HOE-315 ANGLE F/G)
- REINFORCING PER ASTM A615 (GRADE 60).
 - WALLS (As .12) #5 BARS AT 12" C.C.E.W.
 - FLOOR (As .12) #5 BARS AT 12" C.C.E.W.

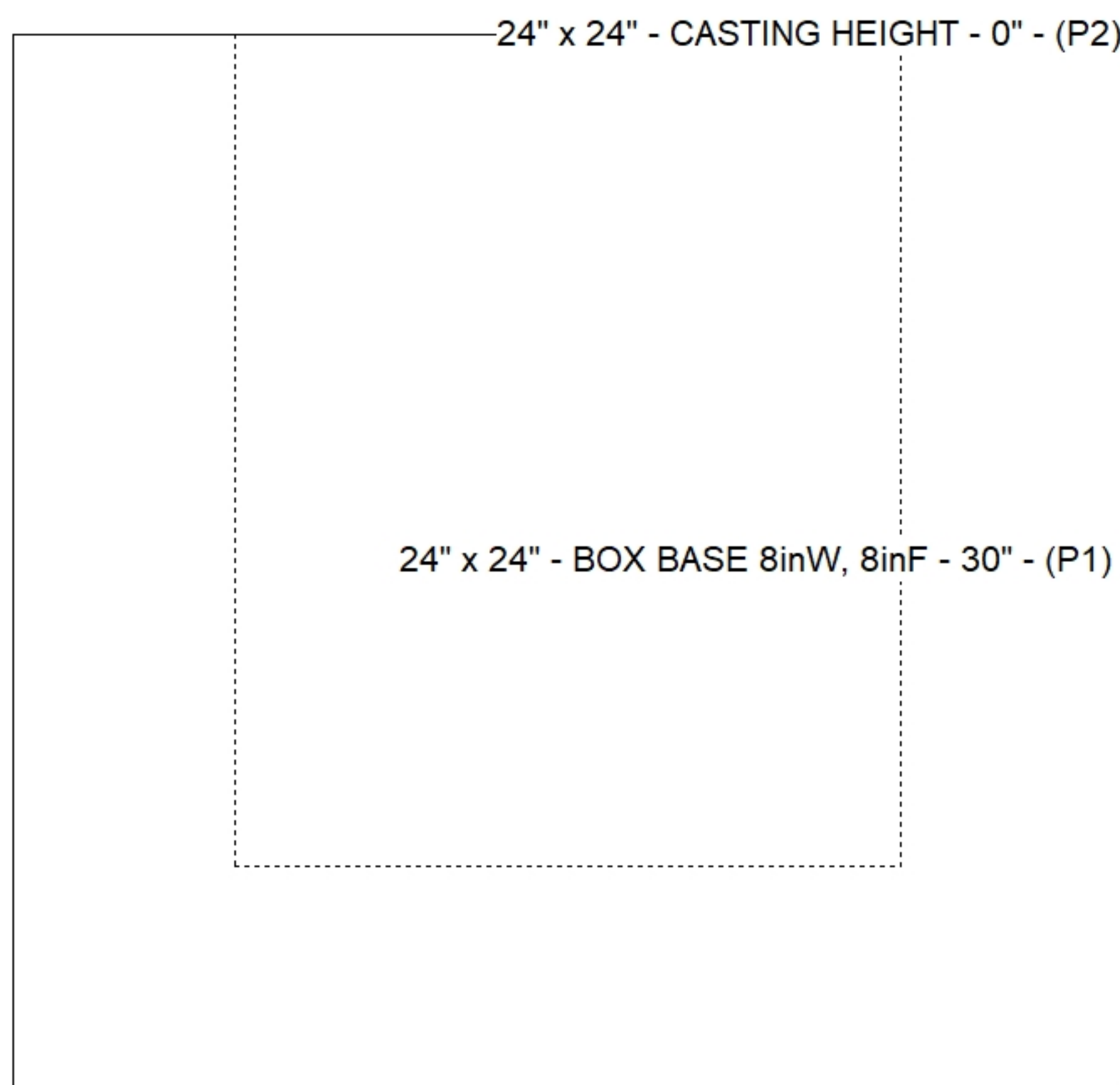
STRUCTURE SUMMARY:

P2) 24" x 24" - CASTING HEIGHT - 0"	0 lb
P1) 24" x 24" - BOX BASE 8inW, 8inF - 30"	3506 lb
1) CASTING - HOE HOE-315 ANGLE F/G	258 lb
1) 24" x 24" - Conseal CS-102 1.00"	0 lb
1) Hole - 14	0 lb

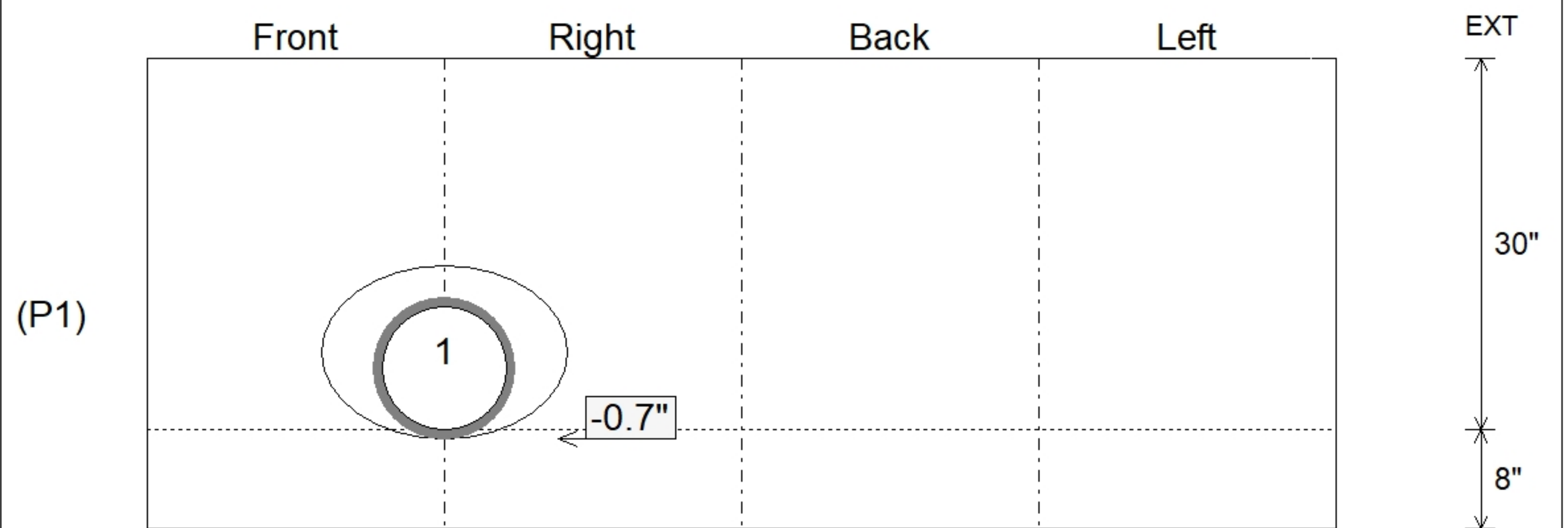
Structure Total:	3764 lb



Position	Elev	Angle	Pipe	Pipe OD	Hole	Connector	Up ()	Ref
Rim	383.7'							
Reducer								
Invert 1	381.2'	45°	10" HDPE	11.4"	14"	Hole 14	-0.7"	P1
Invert 2								
Invert 3								
Invert 4								
Invert 5								
Invert 6								
Invert 7								
Invert 8								



Default - Interior Dimensions



Submittal Drawing
 4/24/2026 2:05:37 PM

SUBMITTAL
 APPROVED BY: