

Job Name: 26-1232 - Mustang Village Apartments Ph.1

Job Location: Paducah, KY

Contractor: Wood Brothers

PC: T. Lewis

TECH: Jared - F

Plant: 100



Structure ID: **S34-34 ST-DBI**

Spec: Storm

Type: BX 8inW, 8inF

Size: 24" x 24"

Rim: 383.83'

Invert: 380.42'

Rim to Invert: 3.41'

Sump: 0"

Floor (Top): 380.42'

Floor Height: 8"

Floor (Bot): 379.753'

Overall Height: 4'

Slack: 0.92"

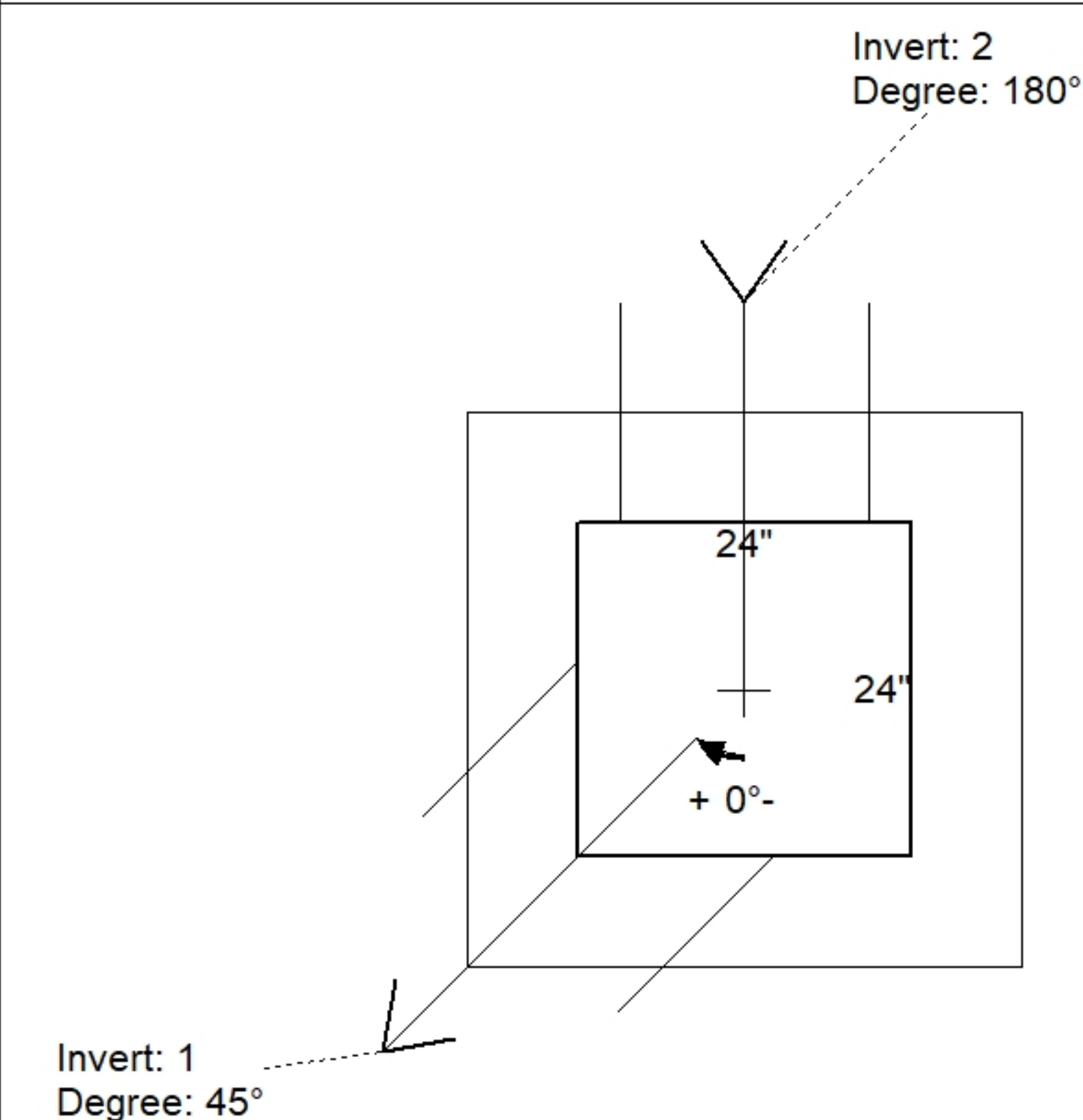
Structure Notes:

1. PER ASTM C913 SPECIFICATIONS.
2. CONCRETE = 4,000 PSI AT 28 DAYS.
3. NO STEPS AND NO INVERT CHANNEL.
4. CASTING BY ICAST (HOE-315 ANGLE F/G)

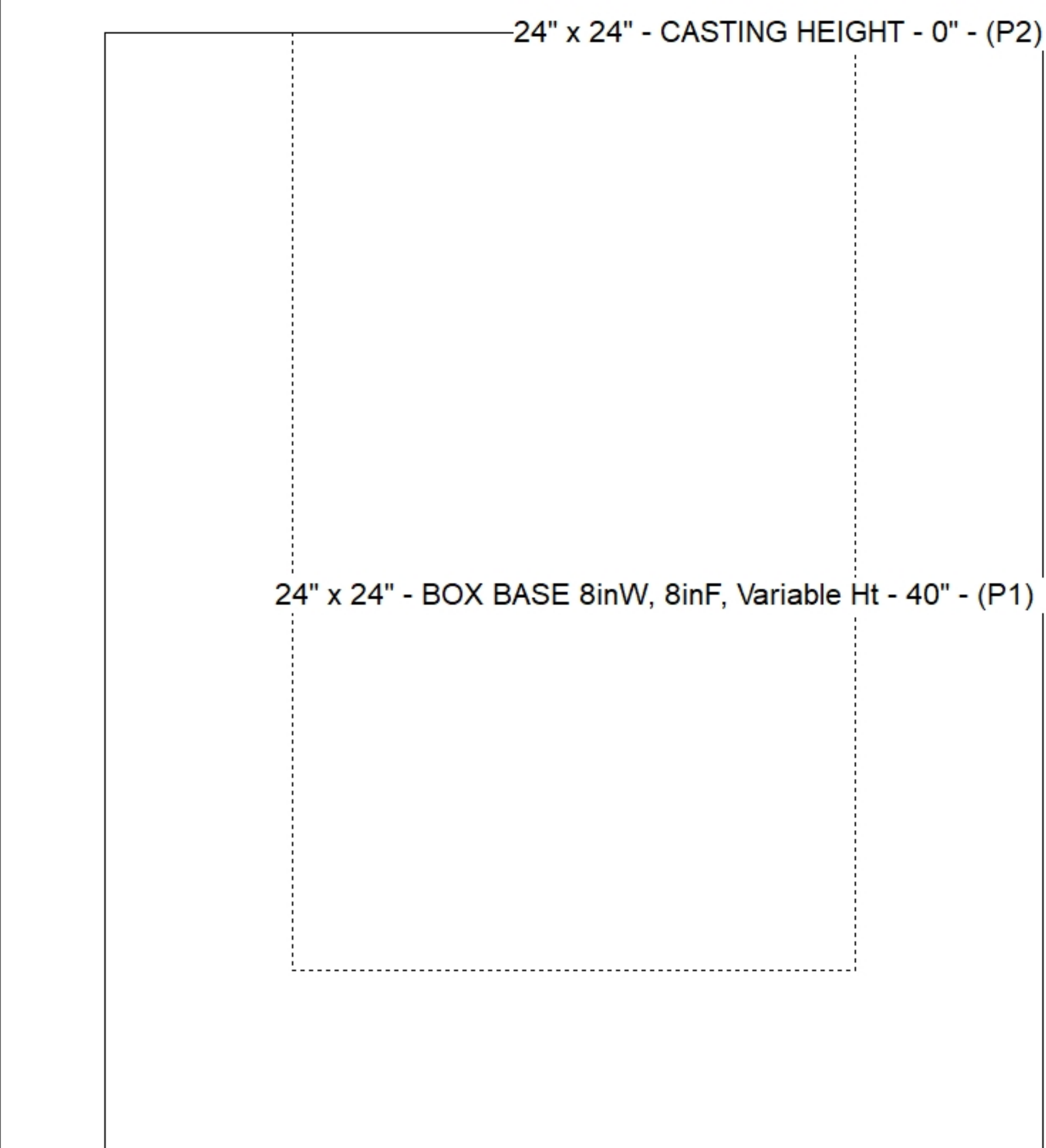
REINFORCING PER ASTM A615 (GRADE 60).
 - WALLS (As .12) #5 BARS AT 12" C.C.E.W.
 - FLOOR (As .12) #5 BARS AT 12" C.C.E.W.

STRUCTURE SUMMARY:

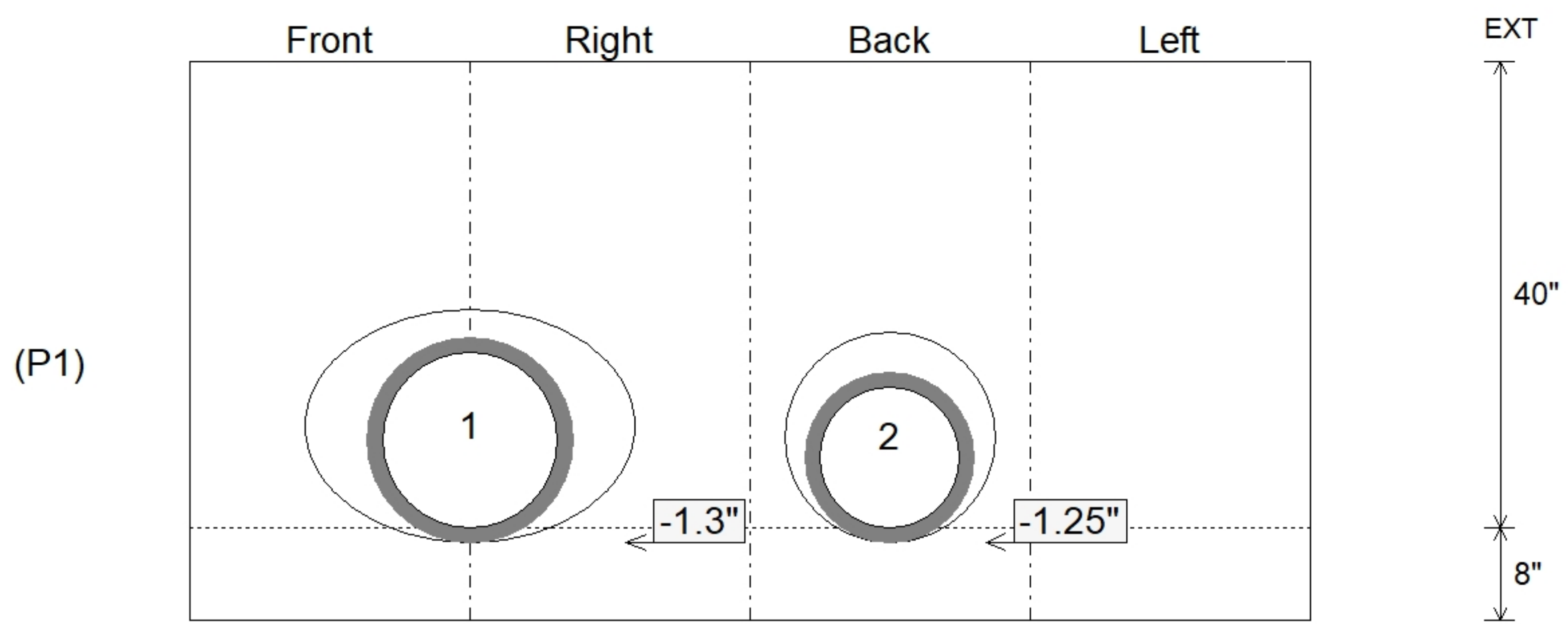
P2) 24" x 24" - CASTING HEIGHT - 0"	0 lb
P1) 24" x 24" - BOX BASE 8inW, 8inF, Variable Ht - 40"	4042 lb
1) CASTING - HOE HOE-315 ANGLE F/G	258 lb
1) 24" x 24" - Conseal CS-102 1.00"	0 lb
1) Hole - 20	0 lb
1) Hole - 18	0 lb
Structure Total:	4300 lb



Position	Elev	Angle	Pipe	Pipe OD	Hole	Connector	Up (")	Ref
Rim	383.83'							
Reducer								
Invert 1	380.42'	45°	15" HDPE	17.6"	20"	Hole 20	-1.3"	P1
Invert 2	380.42'	180°	12" HDPE	14.5"	18"	Hole 18	-1.25"	P1
Invert 3								
Invert 4								
Invert 5								
Invert 6								
Invert 7								
Invert 8								



Default - Interior Dimensions



Submittal Drawing
4/24/2026 2:05:37 PM

SUBMITTAL
APPROVED BY: