

Job Name: 26-1232 - Mustang Village Apartments Ph.1
Job Location: Paducah, KY
Contractor: Wood Brothers

PC: T. Lewis
 TECH: Jared - F
 Plant: 100



Structure ID: **S33-33 ST-DBI**

Spec: Storm
 Type: BX 8inW, 8inF
 Size: 24" x 24"

Rim: 382.62'
 Invert: 379.72'
 Rim to Invert: 2.9'

Sump: 0"
 Floor (Top): 379.72'
 Floor Height: 8"

Floor (Bot): 379.053'
 Overall Height: 3.5'
 Slack: 0.8"

Structure Notes:

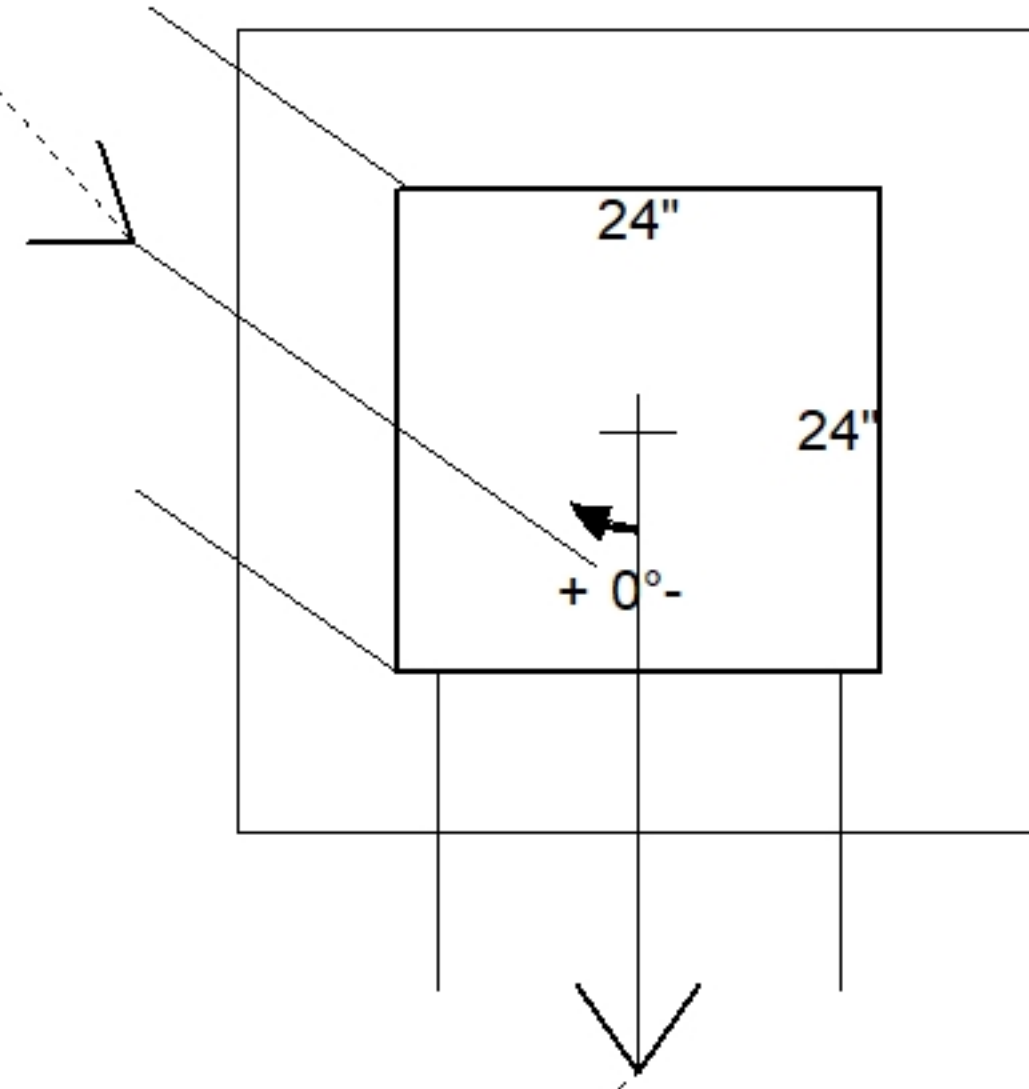
1. PER ASTM C913 SPECIFICATIONS.
 2. CONCRETE = 4,000 PSI AT 28 DAYS.
 3. NO STEPS AND NO INVERT CHANNEL.
 4. CASTING BY ICAST (HOE-315 ANGLE F/G)
- REINFORCING PER ASTM A615 (GRADE 60).
 - WALLS (As .12) #5 BARS AT 12" C.C.E.W.
 - FLOOR (As .12) #5 BARS AT 12" C.C.E.W.

STRUCTURE SUMMARY:

P2) 24" x 24" - CASTING HEIGHT - 0"	0 lb
P1) 24" x 24" - BOX BASE 8inW, 8inF, Variable Ht - 34"	3526 lb
1) CASTING - HOE HOE-315 ANGLE F/G	258 lb
1) 24" x 24" - Conseal CS-102 1.00"	0 lb
2) Hole - 20	0 lb

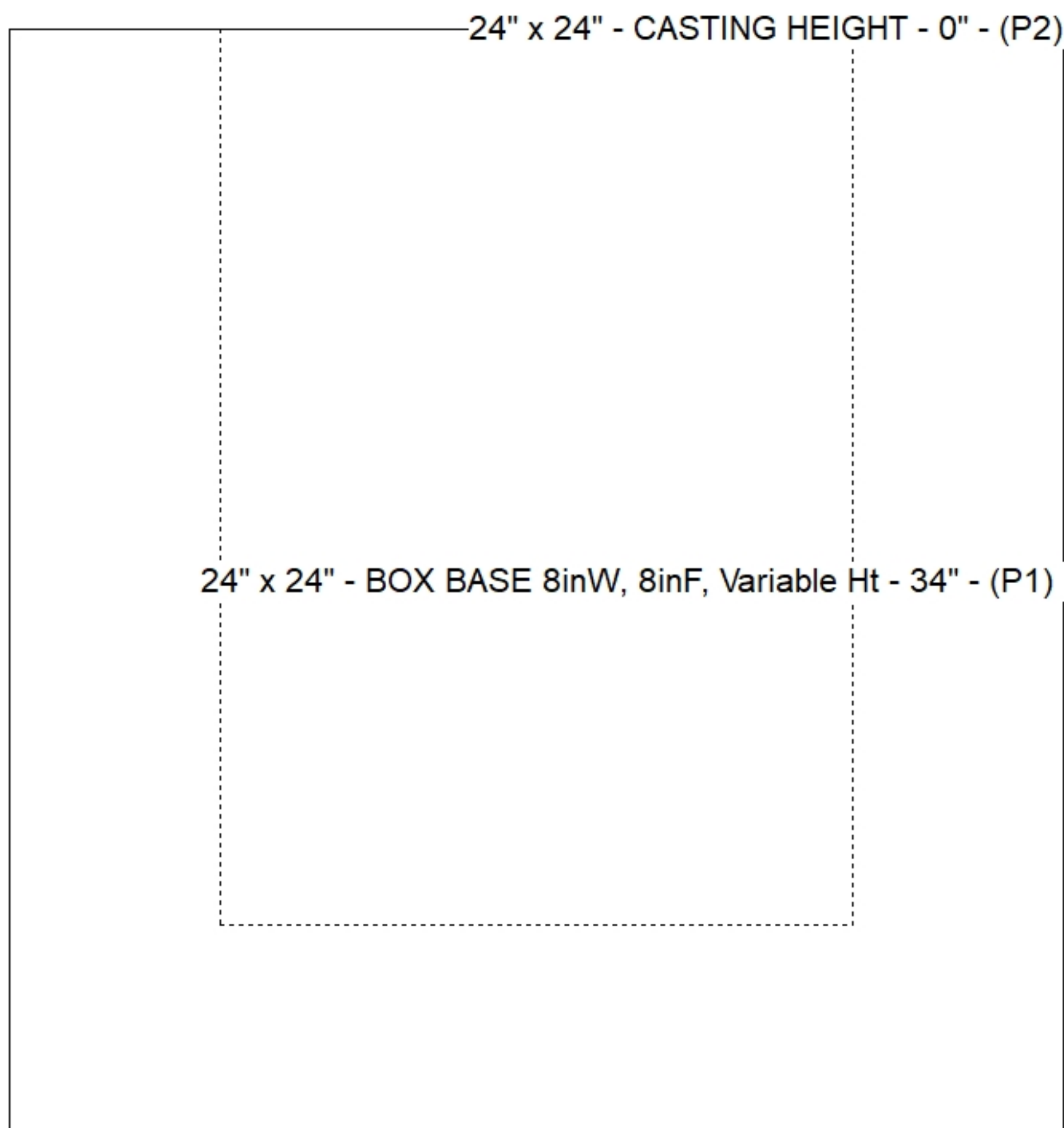
Structure Total:	3784 lb

Invert: 2
 Degree: 125°

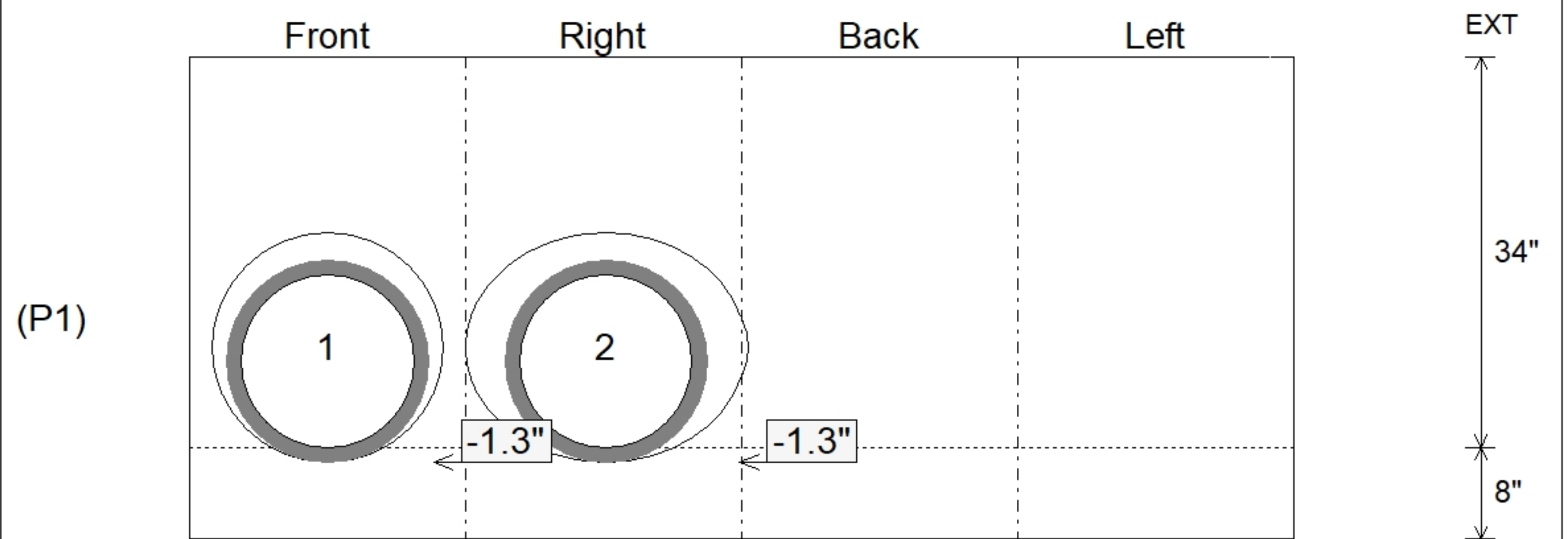


Invert: 1
 Degree: 0°

Position	Elev	Angle	Pipe	Pipe OD	Hole	Connector	Up ()	Ref
Rim	382.62'							
Reducer								
Invert 1	379.72'	0°	15" HDPE	17.6"	20"	Hole 20	-1.3"	P1
Invert 2	379.72'	125°	15" HDPE	17.6"	20"	Hole 20	-1.3"	P1
Invert 3								
Invert 4								
Invert 5								
Invert 6								
Invert 7								
Invert 8								



Default - Interior Dimensions



Submittal Drawing
 4/24/2026 2:05:36 PM

SUBMITTAL
 APPROVED BY: