

Job Name: 26-1232 - Mustang Village Apartments Ph.1
Job Location: Paducah, KY
Contractor: Wood Brothers

PC: T. Lewis
 TECH: Jared - F
 Plant: 100



Structure ID: **S32-32 ST-DBI**

Spec: Storm
 Type: STM.MH (Recessed pipe)
 Size: 48"

Rim: 384.15'
 Invert: 378.58'
 Rim to Invert: 5.57'

Sump: 0"
 Floor (Top): 378.58'
 Floor Height: 6"

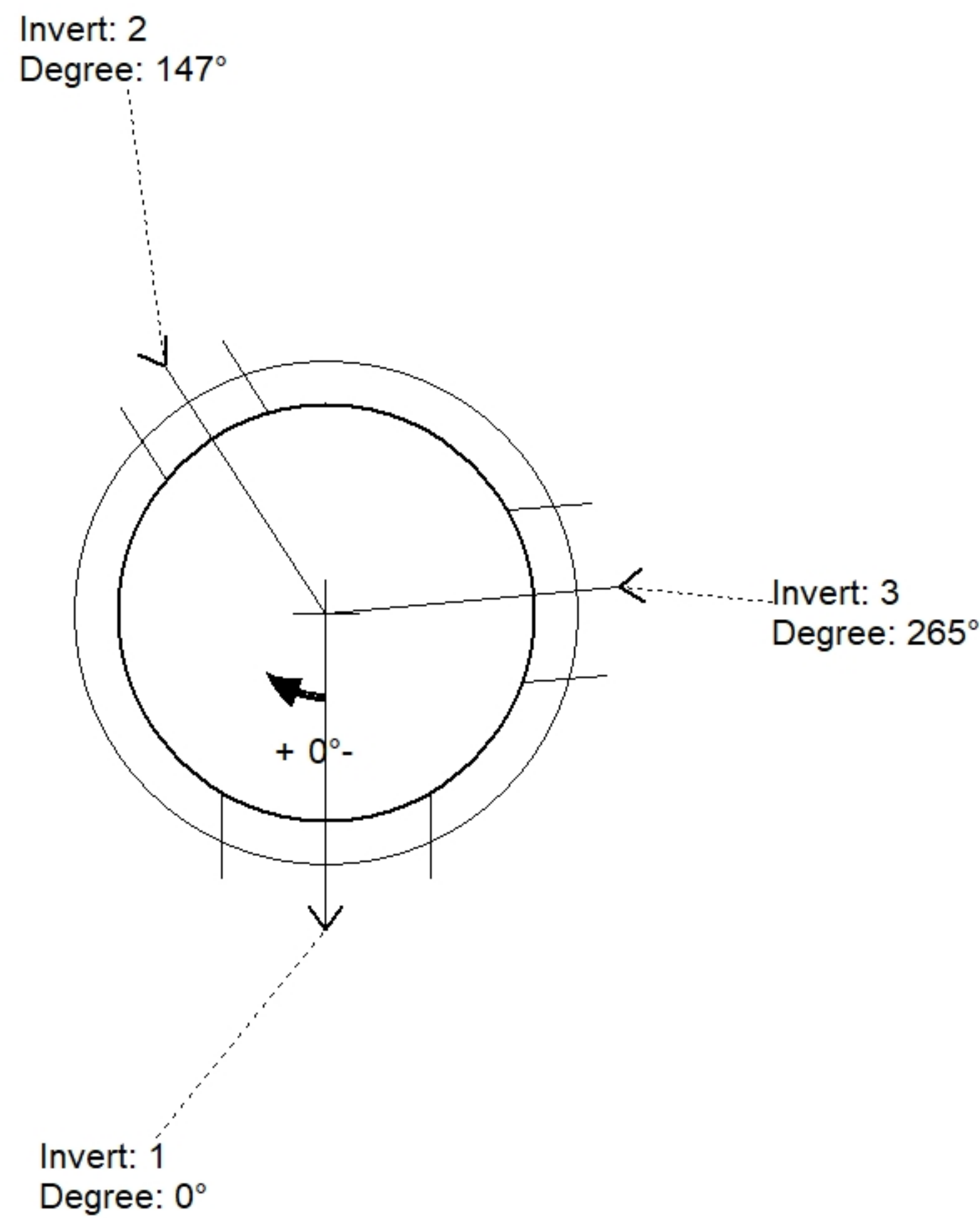
Floor (Bot): 378.08'
 Overall Height: 6'
 Slack: 0.84"

Structure Notes:

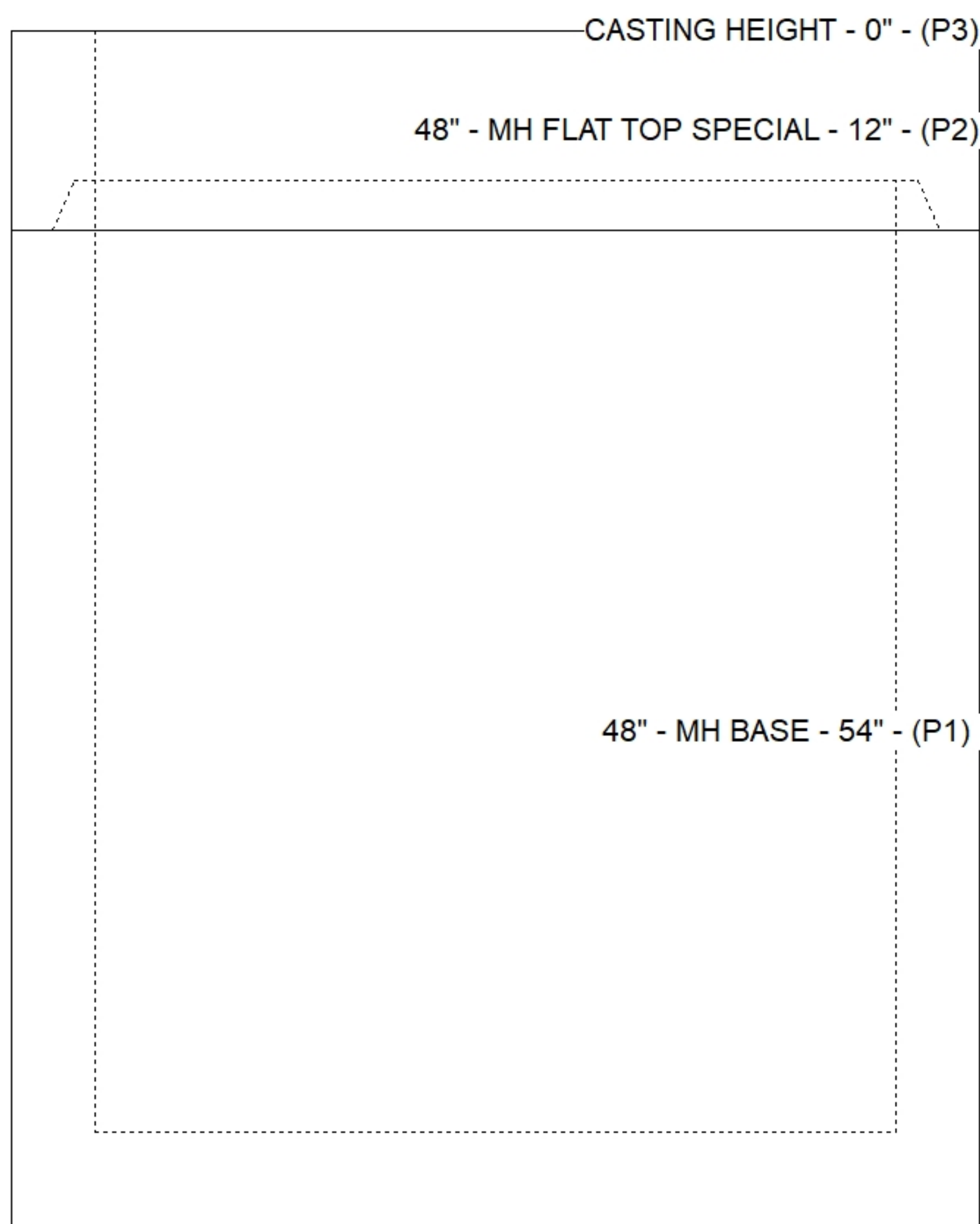
- PER ASTM C478 SPECIFICATIONS.
 - CONCRETE = 4,000 PSI AT 28 DAYS.
 - NO STEPS AND NO INVERT CHANNEL.
 - CASTING BY ICAST (HOE-315 ANGLE F/G).
- REINFORCING PER ASTM A615 (GRADE 60).
 - TOP SLAB (As .62) #5 BARS AT 6" C.C.E.W..
 - RISER/WALLS (As .12)
 - FLOOR (As .31) #5 BARS AT 12" C.C.E.W.

STRUCTURE SUMMARY:

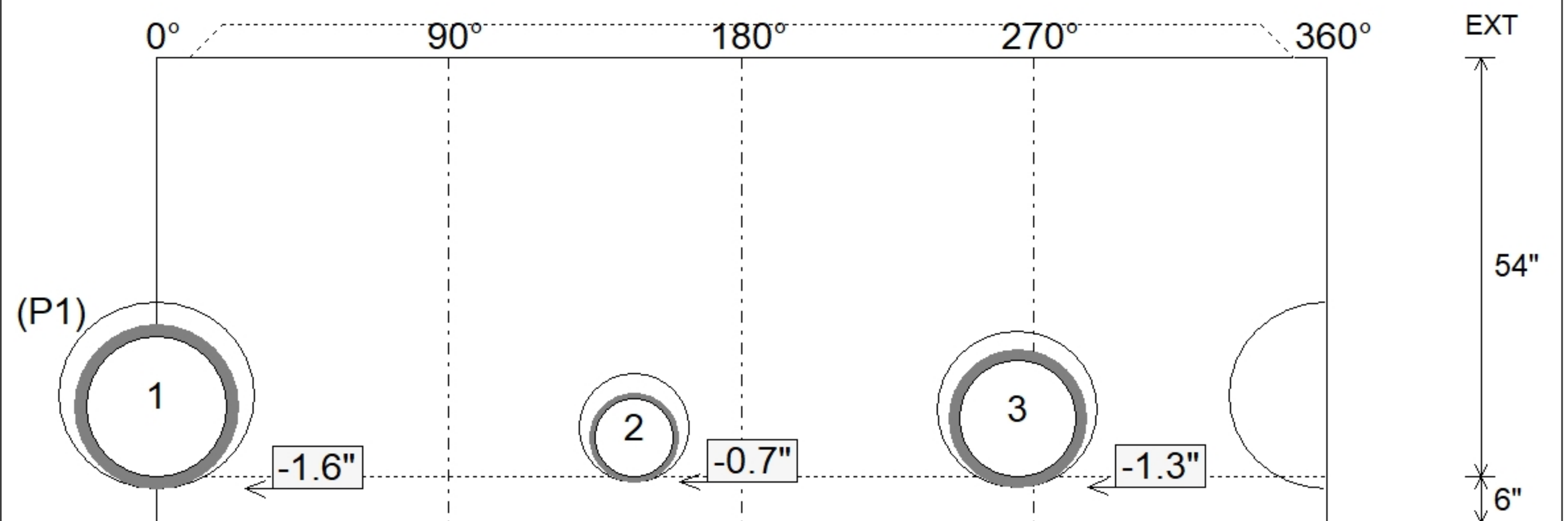
P3) CASTING HEIGHT - 0"	0 lb
P2) 48" - MH FLAT TOP SPECIAL - 12"	2660 lb
P1) 48" - MH BASE - 54"	4705 lb
1) CASTING - HOE HOE-315 ANGLE F/G	258 lb
1) 48" - Conseal CS-102 1.00"	0 lb
1) Hole - 24	0 lb
1) Hole - 14	0 lb
1) Hole - 20	0 lb
Structure Total:	7623 lb



Position	Elev	Angle	Pipe	Pipe OD	Hole	Connector	Up (L)	Ref
Rim	384.15'							
Reducer								
Invert 1	378.58'	0°	18" HDPE	21.2"	24"	Hole 24	-1.6"	P1
Invert 2	378.58'	147°	10" HDPE	11.4"	14"	Hole 14	-0.7"	P1
Invert 3	378.58'	265°	15" HDPE	17.6"	20"	Hole 20	-1.3"	P1
Invert 4								
Invert 5								
Invert 6								
Invert 7								
Invert 8								



Default - Interior Dimensions



Submittal Drawing
 4/24/2026 2:05:36 PM

SUBMITTAL
 APPROVED BY: