

Job Name: 26-1232 - Mustang Village Apartments Ph.1
Job Location: Paducah, KY
Contractor: Wood Brothers

PC: T. Lewis
 TECH: Jared - F
 Plant: 100



Structure ID: S31-31 DBI13G

Spec: KYTC
 Type: DBI TYPE 13G private
 Size: 36" x 36"

Rim: 382.75'
 Invert: 376.99'
 Rim to Invert: 5.76'

Sump: 0"
 Floor (Top): 376.99'
 Floor Height: 8"

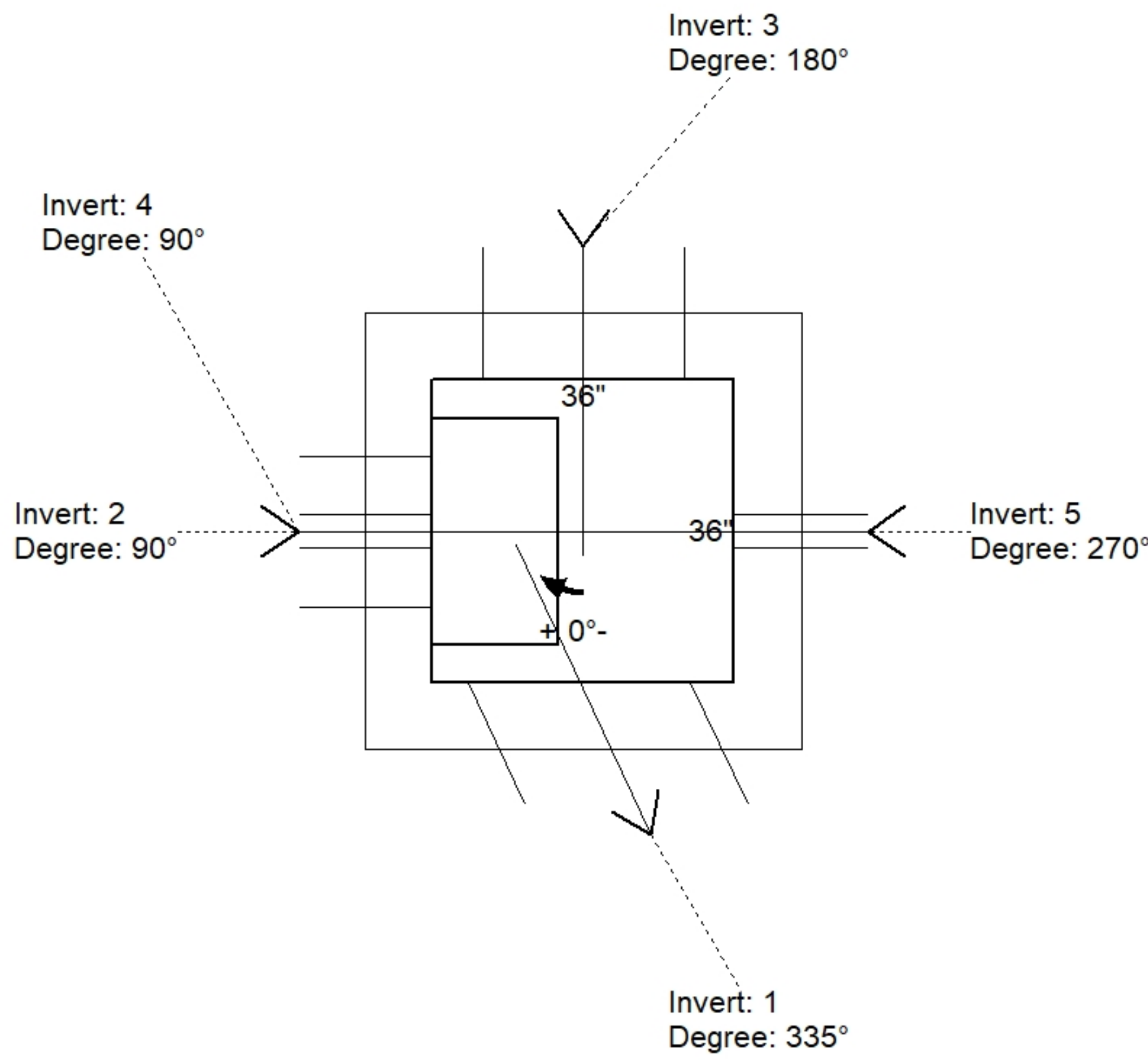
Floor (Bot): 376.323'
 Overall Height: 6.417'
 Slack: 0.12"

Structure Notes:

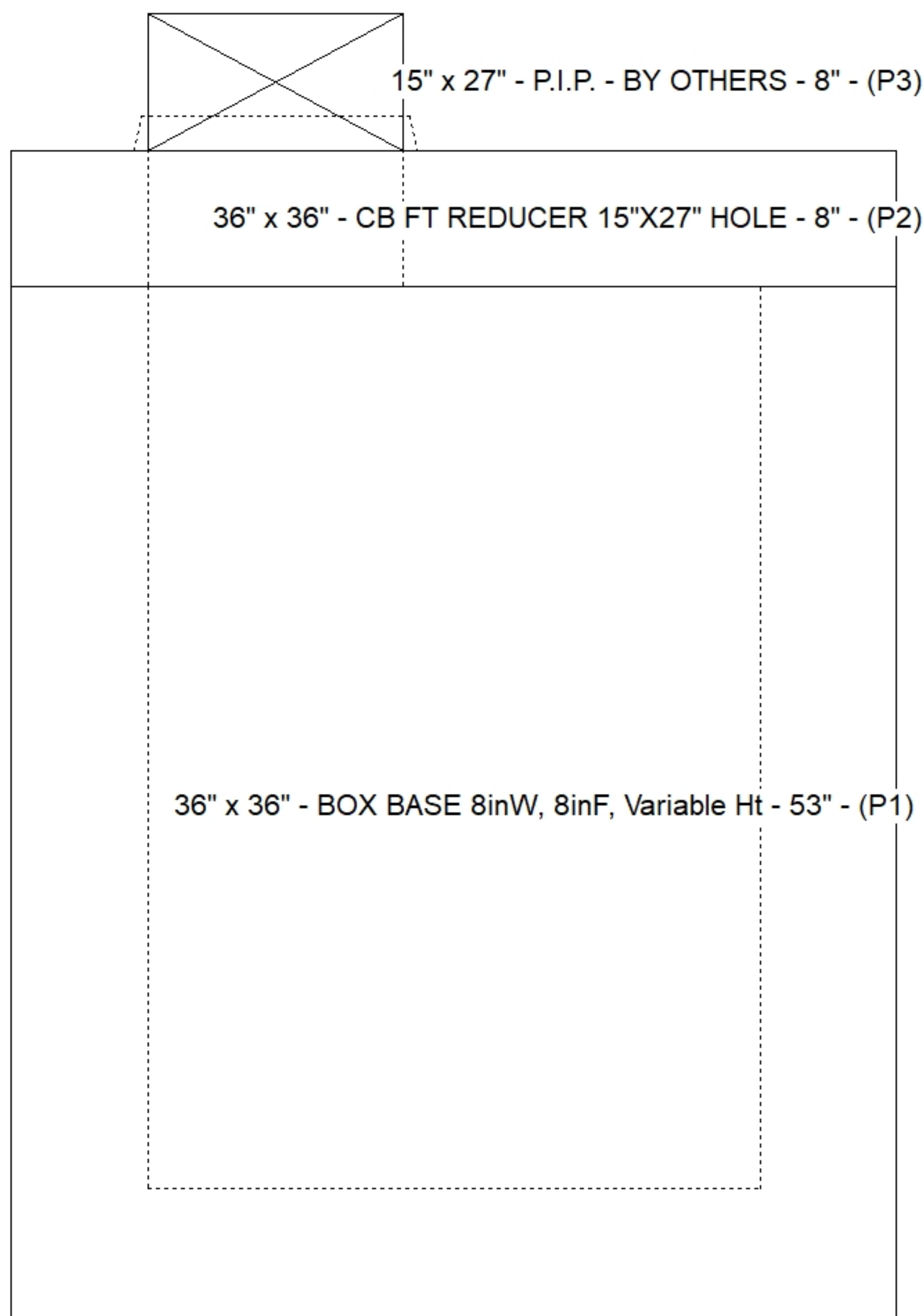
- KYTC DBI TYPE 13G / ASTM C-913 SPEC'S.
 - CONCRETE = 4,000 PSI AT 28 DAYS.
 - CASTING BY ICAST (HOE KY-230-G F/G (GRADE)).
- REINFORCING PER ASTM A615 (GRADE 60).
 - TRANS. SLAB (As .62) #5 BARS AT 6" C.C.E.W. (DBL MAT).
 - WALLS (As .31) #5 BARS AT 12" C.C.E.W..
 - FLOOR (As .31) #5 BARS AT 12" C.C.E.W.

STRUCTURE SUMMARY:

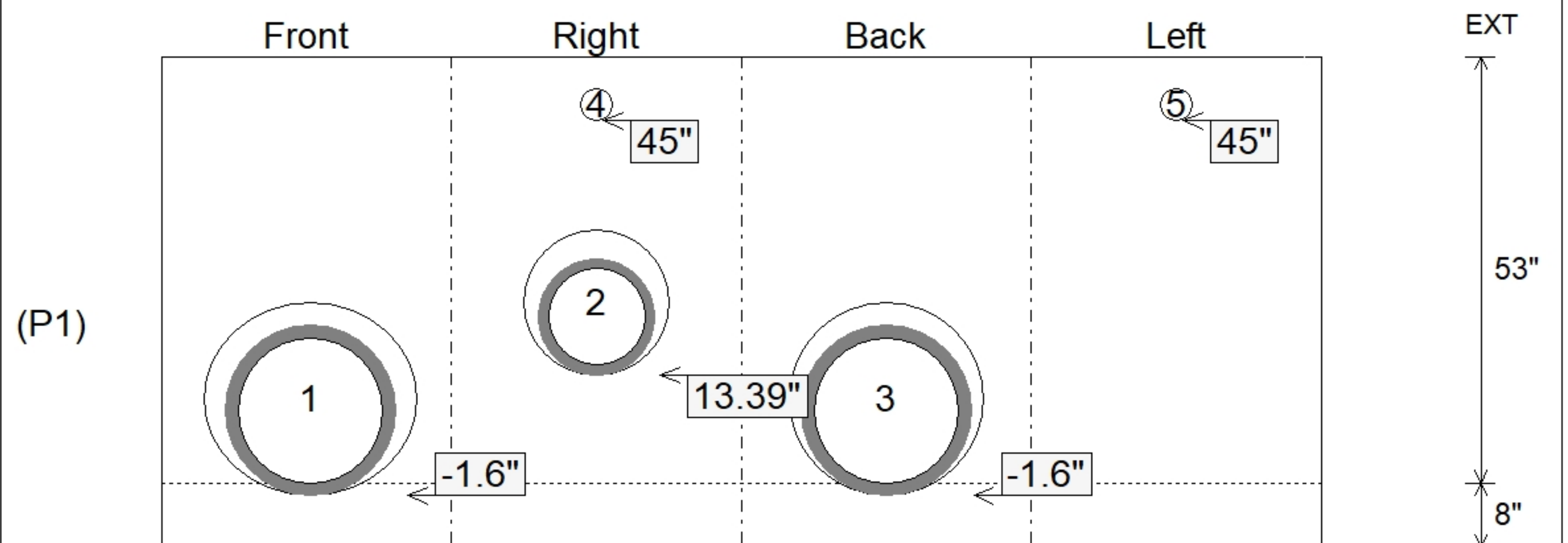
P3) 15" x 27" - P.I.P. - BY OTHERS - 8"	0 lb
P2) 36" x 36" - CB FT REDUCER 15"X27" HOLE - 8"	1543 lb
P1) 36" x 36" - BOX BASE 8inW, 8inF, Variable Ht - 53"	7251 lb
1) CASTING - HOE KY-230-G F/G (GRADE)	237 lb
1) 36" x 36" - Conseal CS-102 1.00"	0 lb
1) 15" x 27" - Conseal CS-102 1.00"	0 lb
2) Hole - 24	0 lb
1) Hole - 18	0 lb
2) Hole - 4	0 lb
Structure Total:	9031 lb



Position	Elev	Angle	Pipe	Pipe OD	Hole	Connector	Up (")	Ref
Rim	382.75'							
Reducer	381.407'							
Invert 1	376.99'	335°	18" HDPE	21.2"	24"	Hole 24	-1.6"	P1
Invert 2	378.21'	90°	12" HDPE	14.5"	18"	Hole 18	13.39"	P1
Invert 3	376.99'	180°	18" HDPE	21.2"	24"	Hole 24	-1.6"	P1
Invert 4	380.74'	90°	4" WEEP HOLE	4"	4"	Hole 4	45"	P1
Invert 5	380.74'	270°	4" WEEP HOLE	4"	4"	Hole 4	45"	P1
Invert 6								
Invert 7								
Invert 8								



Default - Interior Dimensions



Submittal Drawing
 4/24/2026 2:05:35 PM

SUBMITTAL
 APPROVED BY: