

Job Name: 26-1232 - Mustang Village Apartments Ph.1
Job Location: Paducah, KY
Contractor: Wood Brothers

PC: T. Lewis
 TECH: Jared - F
 Plant: 100



Structure ID: **S29-29 DBI13G**

Spec: KYTC
 Type: DBI TYPE 13G private
 Size: 36" x 36"

Rim: 379.93'
 Invert: 373.38'
 Rim to Invert: 6.55'

Sump: 0"
 Floor (Top): 373.38'
 Floor Height: 8"

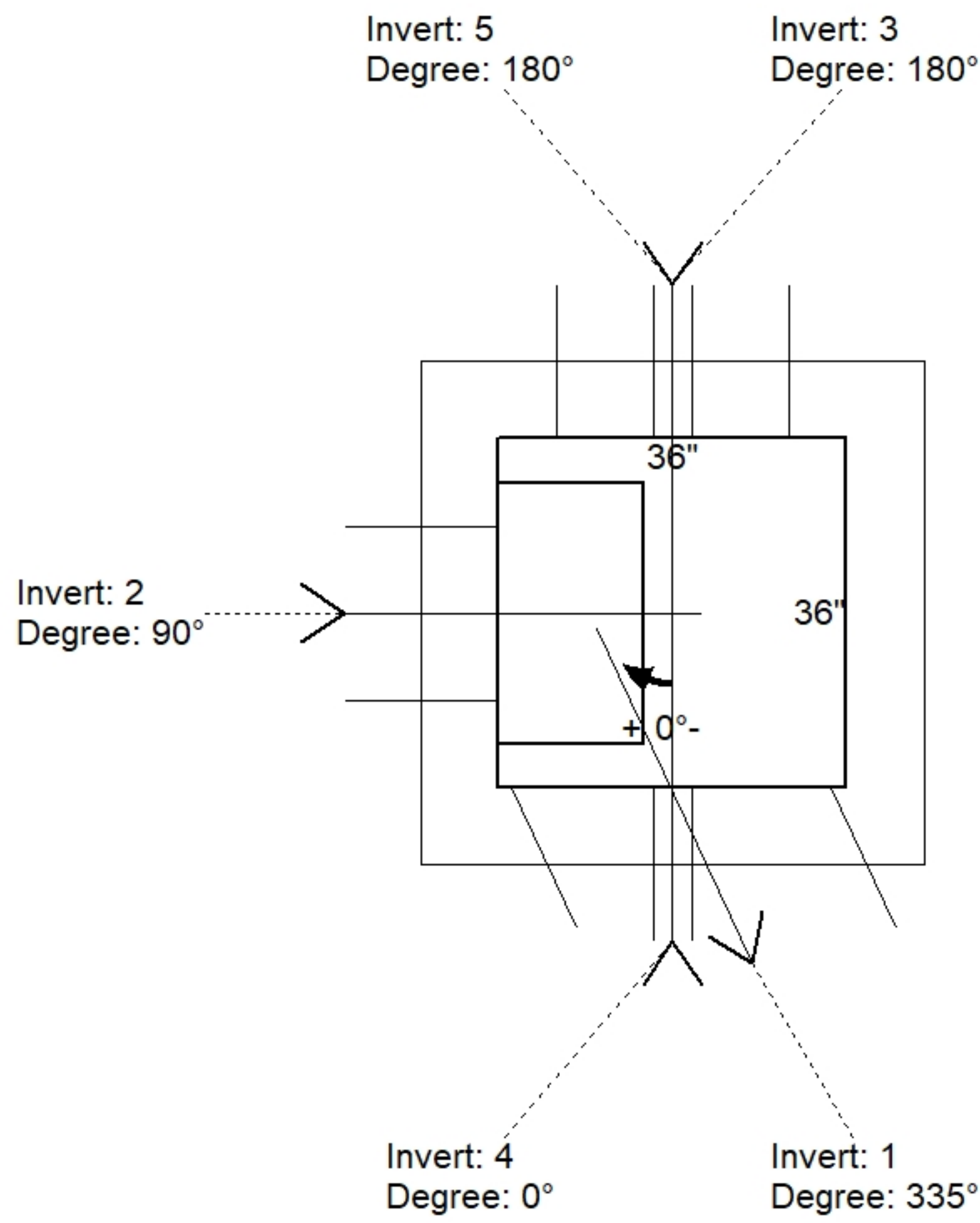
Floor (Bot): 372.713'
 Overall Height: 7'
 Slack: 2.6"

Structure Notes:

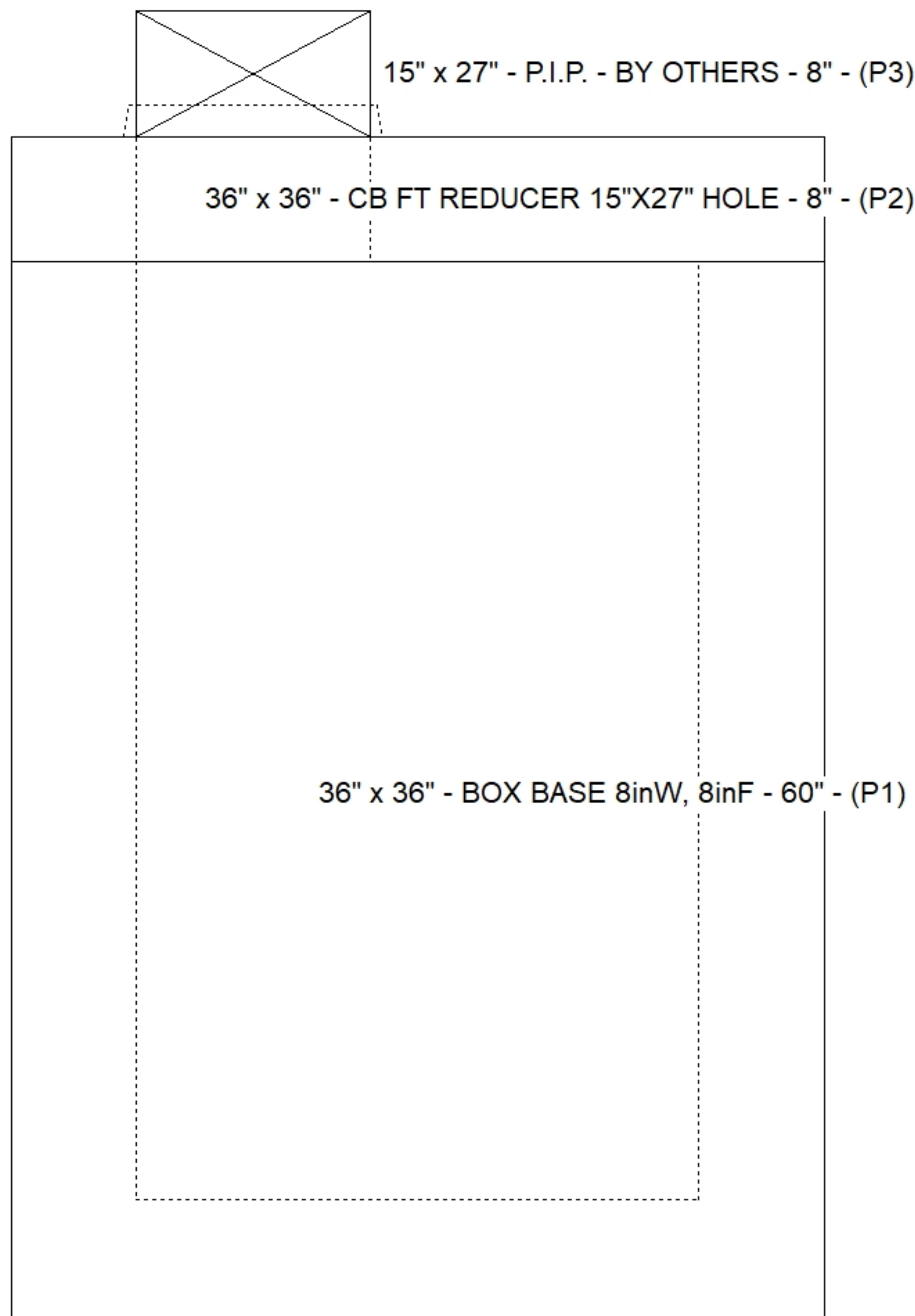
- KYTC DBI TYPE 13G / ASTM C-913 SPEC'S.
 - CONCRETE = 4,000 PSI AT 28 DAYS.
 - CASTING BY ICAST (HOE KY-230-G F/G (GRADE)).
- REINFORCING PER ASTM A615 (GRADE 60).
 - TRANS. SLAB (As .62) #5 BARS AT 6" C.C.E.W. (DBL MAT).
 - WALLS (As .31) #5 BARS AT 12" C.C.E.W..
 - FLOOR (As .31) #5 BARS AT 12" C.C.E.W.

STRUCTURE SUMMARY:

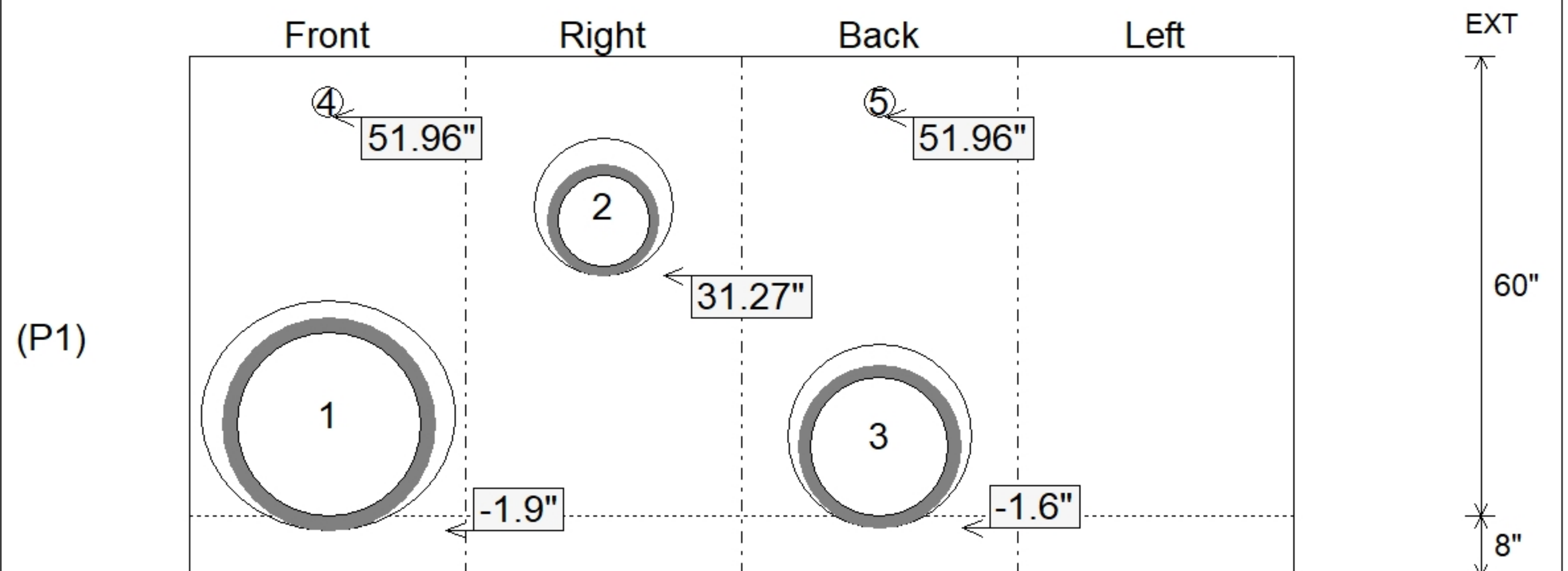
P3) 15" x 27" - P.I.P. - BY OTHERS - 8"	0 lb
P2) 36" x 36" - CB FT REDUCER 15"X27" HOLE - 8"	1543 lb
P1) 36" x 36" - BOX BASE 8inW, 8inF - 60"	7889 lb
1) CASTING - HOE KY-230-G F/G (GRADE)	237 lb
1) 36" x 36" - Conseal CS-102 1.00"	0 lb
1) 15" x 27" - Conseal CS-102 1.00"	0 lb
1) Hole - 30	0 lb
1) Hole - 18	0 lb
1) Hole - 24	0 lb
2) Hole - 4	0 lb
Structure Total:	9669 lb



Position	Elev	Angle	Pipe	Pipe OD	Hole	Connector	Up (")	Ref
Rim	379.93'							
Reducer	378.38'							
Invert 1	373.38'	335°	24" HDPE	27.8"	30"	Hole 30	-1.9"	P1
Invert 2	376.09'	90°	12" HDPE	14.5"	18"	Hole 18	31.27"	P1
Invert 3	373.38'	180°	18" HDPE	21.2"	24"	Hole 24	-1.6"	P1
Invert 4	377.71'	0°	4" WEEP HOLE	4"	4"	Hole 4	51.96"	P1
Invert 5	377.71'	180°	4" WEEP HOLE	4"	4"	Hole 4	51.96"	P1
Invert 6								
Invert 7								
Invert 8								



Default - Interior Dimensions



Submittal Drawing
 4/24/2026 2:05:34 PM

SUBMITTAL
 APPROVED BY: