

Job Name: 26-1232 - Mustang Village Apartments Ph.1
 Job Location: Paducah, KY
 Contractor: Wood Brothers

Plant: 100
 4/21/2026 8:04:31 PM

Tech: Jared - F
 PC: T. Lewis



Structure ID: S29-29 DBI13G

P2 BX036036-08TS015027

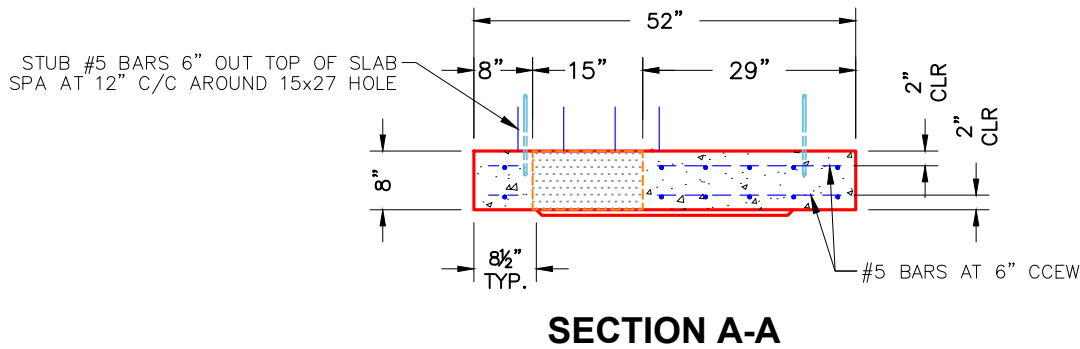
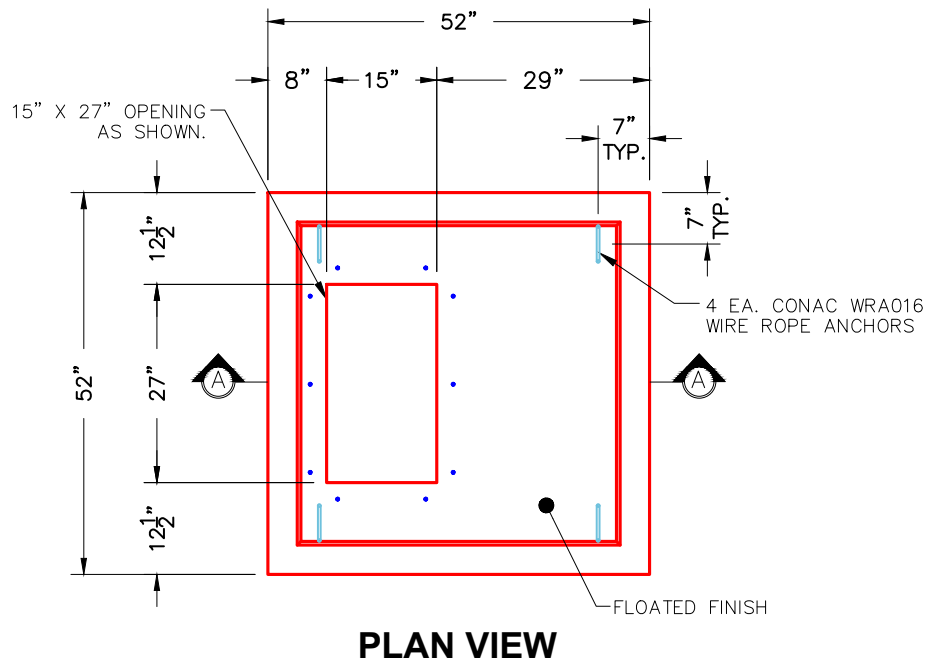
CB FT REDUCER 15"X27" HOLE T/F

- P3) 15" x 27" - P.I.P. - BY OTHERS - 8"
- P2) 36" x 36" - CB FT REDUCER 15"X27" HOLE F/F - 8"
- P1) 36" x 36" - BOX BASE 8inW, 8inF F/n - 60"
- 1) CASTING - HOE KY-230-G F/G (GRADE)
- 1) 36" x 36" - Conseal CS-102 1.00"
- 1) 15" x 27" - Conseal CS-102 1.00"
- 1) Hole - 30
- 1) Hole - 18
- 1) Hole - 24
- 2) Hole - 4

0 lb
 1543 lb
 7889 lb
 237 lb
 0 lb
 0 lb
 0 lb
 0 lb
 0 lb
 0 lb
 0 lb
 Structure Total: 9669 lb

Structure Notes:
 1. KYTC DBI TYPE 13G / ASTM C-913 SPEC'S.
 2. CONCRETE = 4,000 PSI AT 28 DAYS.
 3. CASTING BY ICAST (HOE KY-230-G F/G (GRADE)).

REINFORCING PER ASTM A615 (GRADE 60).
 - TRANS. SLAB (As .62) #5 BARS AT 6" C.C.E.W. (DBL MAT).
 - WALLS (As .31) #5 BARS AT 12" C.C.E.W..
 - FLOOR (As .31) #5 BARS AT 12" C.C.E.W.



NOTES:

- 1. MANUFACTURED TO ASTM C-913 (LATEST REVISION).
- 2. CONCRETE: 4,000 PSI AT 28 DAYS.
- 3. REINFORCING: #5 BAR @ 6" O.C. E.W. (DOUBLE MAT) (GRADE 60).

Coating (Int):
 Coating (Ext):

Seam Up: Flat
 Seam Dn: Flat

Wall Thickness: 8"

Height (Ext): 8"

Weight (Net): 1543 lb
 Volume (Net): 0.39cu.yd