

Job Name: 26-1232 - Mustang Village Apartments Ph.1
 Job Location: Paducah, KY
 Contractor: Wood Brothers

Plant: 100
 4/21/2026 8:03:16 PM

Tech: Jared - F
 PC: T. Lewis



Structure ID: S28-28 DBI13G

P1 BX1527-08BAVF

BOX BASE 8inW, 8inF, Variable Ht F/n

- P2) 15" x 27" - P.I.P. - BY OTHERS - 8"
- P1) 15" x 27" - BOX BASE 8inW, 8inF, Variable Ht F/n - 22"
- 1) CASTING - HOE KY-230-G F/G (GRADE)
- 1) 15" x 27" - Conseal CS-102 1.00"
- 1) Hole - 20
- 2) Hole - 4

0 lb
 2407 lb
 237 lb
 0 lb
 0 lb
 0 lb

 Structure Total: 2644 lb

Structure Notes:
 1. KYTC DBI TYPE 13G / ASTM C-913 SPEC'S.
 2. CONCRETE = 4,000 PSI AT 28 DAYS.
 3. CASTING BY ICAST (HOE KY-230-G F/G (GRADE)).

REINFORCING PER ASTM A615 (GRADE 60).
 - WALLS (As .31) #5 BARS AT 12" C.C.E.W..
 - FLOOR (As .31) #5 BARS AT 12" C.C.E.W.

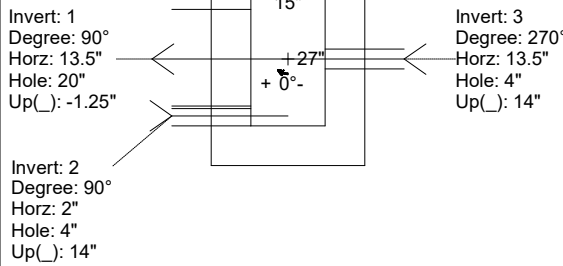
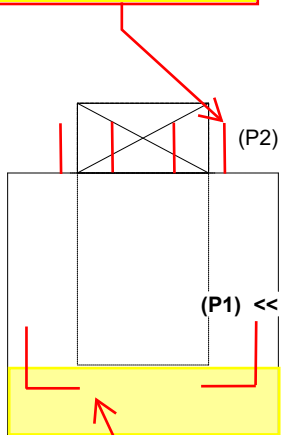
Rim: 376' Rim to Invert: 2.5' Slack: 0" Sump: 0" Step Position:

Position	Elev	Angle	Ext. (cw)	Pipe	Pipe OD	Connector	Hole	Horz Size	Up ()	Offset
Invert 1	373.5'	90°	21.5"	15" HDPE	17.6"	Hole 20	20"	20"	-1.25"	0"
Invert 2	374.67'	90°	10"	4" WEEP HOLE	4"	Hole 4	4"	4"	14"	-11.5"
Invert 3	374.67'	270°	21.5"	4" WEEP HOLE	4"	Hole 4	4"	4"	14"	0"
Invert 4										
Invert 5										
Invert 6										
Invert 7										
Invert 8										

RIGHT-SIDE UP VIEW (int. dimensions)

UPSIDE-DOWN VIEW (int. dimenions)

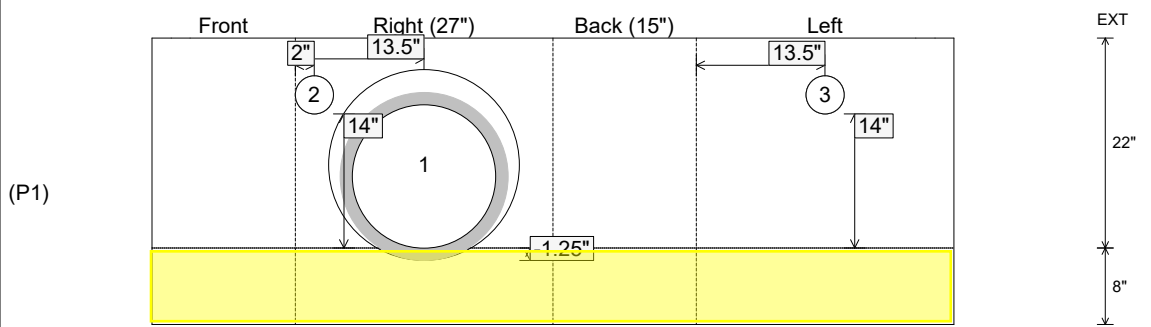
#5 BAR EXTENDED
 12" @ 12" C.C.



1ST POUR (FLOOR) = 1,512 LBS
 2ND POUR (WALLS) = 895 LBS

1ST POUR (FLOOR)
 STUB #5 L BARS OUT
 TOP FLOOR, SPA AT
 12" C/C FOR
 CONNECTING WALLS

INSIDE WALL DIMENSIONS



Coating (Int): Coating (Ext):	Seam Up: Flat Seam Dn: n/a	Wall Thickness: 8" Floor Height: 8"	Height (Int): 22" Height (Ext): 30"	Weight (Net): 2407 lb Volume (Net): 0.62cu.yd
----------------------------------	-------------------------------	--	--	--

Job Name: 26-1232 - Mustang Village Apartments Ph.1
 Job Location: Paducah, KY
 Contractor: Wood Brothers

Plant: 100
 4/21/2026 8:03:16 PM

Tech: Jared - F
 PC: T. Lewis



Structure ID: S28-28 DBI13G

P1 BX1527-08BAVF

BOX BASE 8inW, 8inF, Variable Ht F/n

- P2) 15" x 27" - P.I.P. - BY OTHERS - 8"
- P1) 15" x 27" - BOX BASE 8inW, 8inF, Variable Ht F/n - 22"
- 1) CASTING - HOE KY-230-G F/G (GRADE)
- 1) 15" x 27" - Conseal CS-102 1.00"
- 1) Hole - 20
- 2) Hole - 4

0 lb
 2407 lb
 237 lb
 0 lb
 0 lb
 0 lb

 Structure Total: 2644 lb

Structure Notes:
 1. KYTC DBI TYPE 13G / ASTM C-913 SPEC'S.
 2. CONCRETE = 4,000 PSI AT 28 DAYS.
 3. CASTING BY ICAST (HOE KY-230-G F/G (GRADE)).

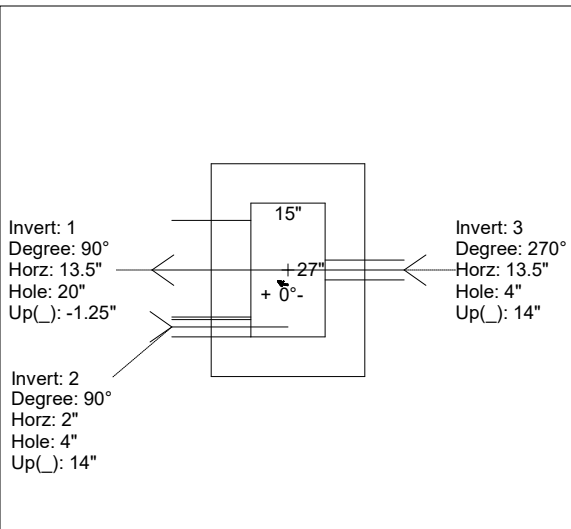
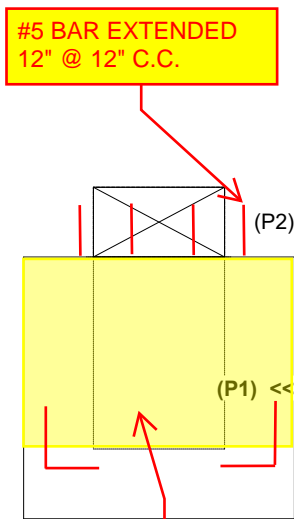
REINFORCING PER ASTM A615 (GRADE 60).
 - WALLS (As .31) #5 BARS AT 12" C.C.E.W..
 - FLOOR (As .31) #5 BARS AT 12" C.C.E.W.

Rim: 376' Rim to Invert: 2.5' Slack: 0" Sump: 0" Step Position:

Position	Elev	Angle	Ext. (cw)	Pipe	Pipe OD	Connector	Hole	Horz Size	Up ()	Offset
Invert 1	373.5'	90°	21.5"	15" HDPE	17.6"	Hole 20	20"	20"	-1.25"	0"
Invert 2	374.67'	90°	10"	4" WEEP HOLE	4"	Hole 4	4"	4"	14"	-11.5"
Invert 3	374.67'	270°	21.5"	4" WEEP HOLE	4"	Hole 4	4"	4"	14"	0"
Invert 4										
Invert 5										
Invert 6										
Invert 7										
Invert 8										

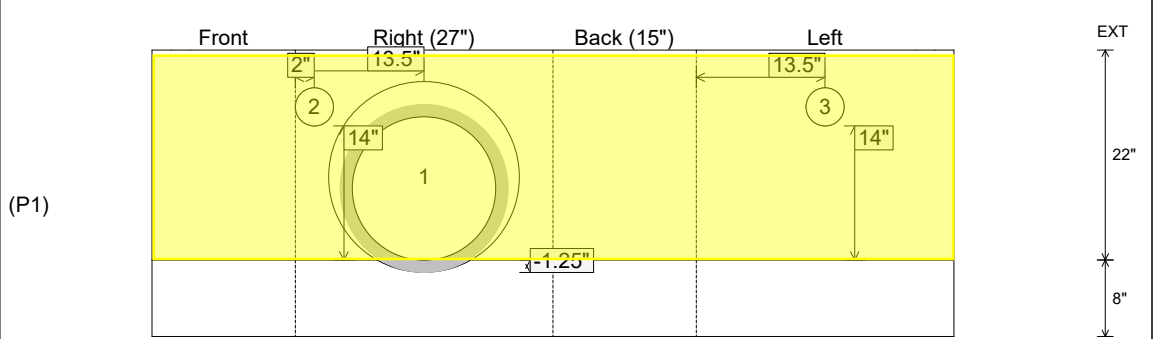
RIGHT-SIDE UP VIEW (int. dimensions)

UPSIDE-DOWN VIEW (int. dimenions)



1ST POUR (FLOOR) = 1,512 LBS
 2ND POUR (WALLS) = 895 LBS

INSIDE WALL DIMENSIONS



Coating (Int): Coating (Ext):	Seam Up: Flat Seam Dn: n/a	Wall Thickness: 8" Floor Height: 8"	Height (Int): 22" Height (Ext): 30"	Weight (Net): 2407 lb Volume (Net): 0.62cu.yd
----------------------------------	-------------------------------	--	--	--