

**Job Name: 26-1232 - Mustang Village Apartments Ph.1**  
**Job Location: Paducah, KY**  
**Contractor: Wood Brothers**

PC: T. Lewis  
 TECH: Jared - F  
 Plant: 100



Structure ID: S25-25 ST-DBI

Spec: Storm  
 Type: STM.MH (Recessed pipe)  
 Size: 48"

Rim: 381.88'  
 Invert: 377.38'  
 Rim to Invert: 4.5'

Sump: 0"  
 Floor (Top): 377.38'  
 Floor Height: 6"

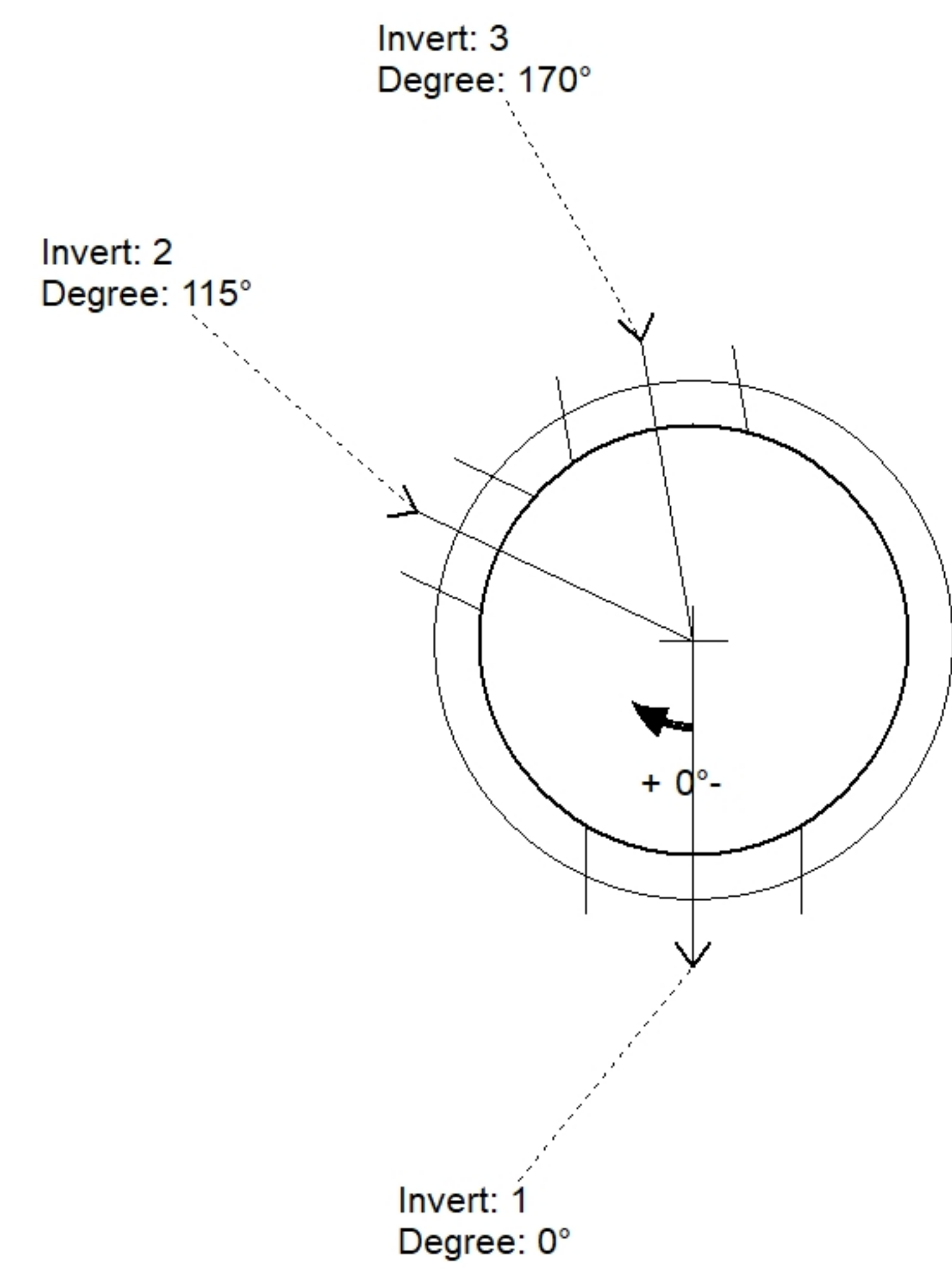
Floor (Bot): 376.88'  
 Overall Height: 5'  
 Slack: 0"

**Structure Notes:**

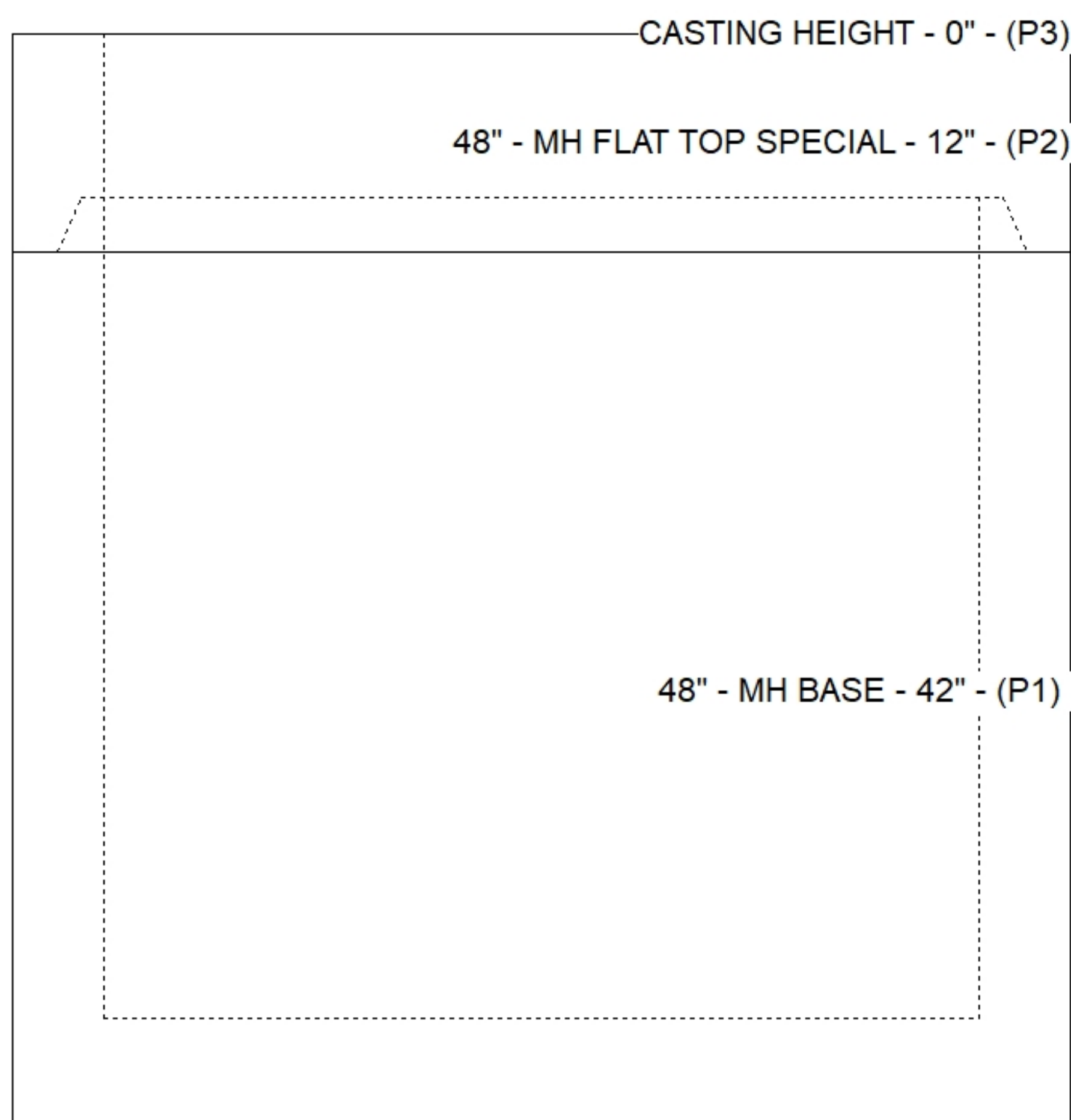
- PER ASTM C478 SPECIFICATIONS.
  - CONCRETE = 4,000 PSI AT 28 DAYS.
  - NO STEPS AND NO INVERT CHANNEL.
  - CASTING BY ICAST (HOE-315 ANGLE F/G).
- REINFORCING PER ASTM A615 (GRADE 60).  
 - TOP SLAB (As .62) #5 BARS AT 6" C.C.E.W..  
 - RISER/WALLS (As .12)  
 - FLOOR (As .31) #5 BARS AT 12" C.C.E.W.

**STRUCTURE SUMMARY:**

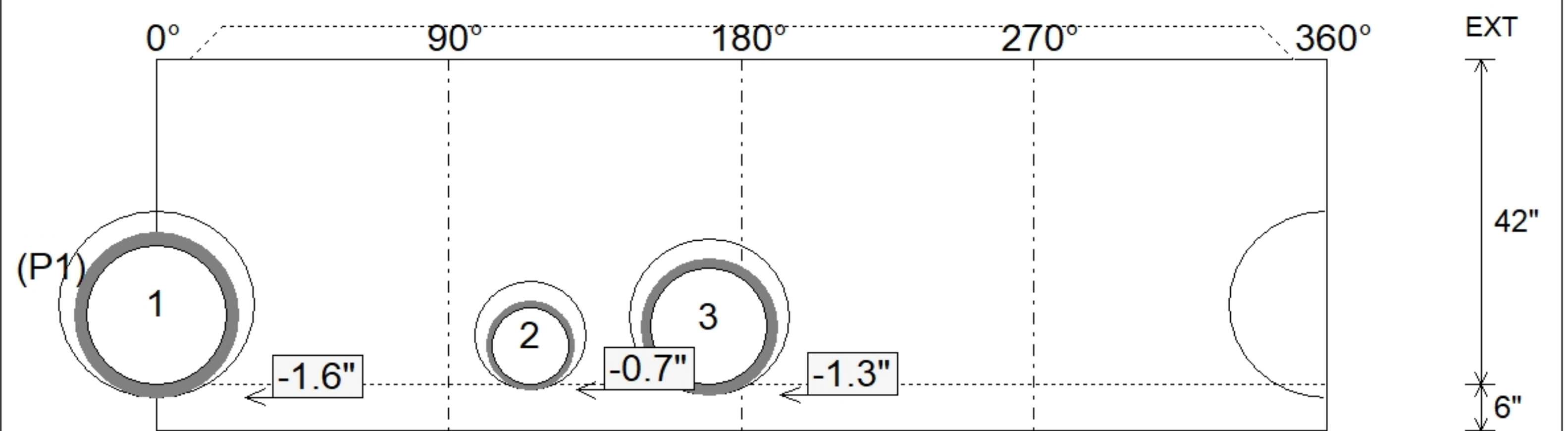
P3) CASTING HEIGHT - 0"	0 lb
P2) 48" - MH FLAT TOP SPECIAL - 12"	2660 lb
P1) 48" - MH BASE - 42"	3866 lb
1) CASTING - HOE HOE-315 ANGLE F/G	258 lb
1) 48" - Conseal CS-102 1.00"	0 lb
1) Hole - 24	0 lb
1) Hole - 14	0 lb
1) Hole - 20	0 lb
<b>Structure Total:</b>	<b>6785 lb</b>



Position	Elev	Angle	Pipe	Pipe OD	Hole	Connector	Up (L)	Ref
Rim	381.88'							
Reducer								
Invert 1	377.38'	0°	18" HDPE	21.2"	24"	Hole 24	-1.6"	P1
Invert 2	377.38'	115°	10" HDPE	11.4"	14"	Hole 14	-0.7"	P1
Invert 3	377.38'	170°	15" HDPE	17.6"	20"	Hole 20	-1.3"	P1
Invert 4								
Invert 5								
Invert 6								
Invert 7								
Invert 8								



**Default - Interior Dimensions**



Submittal Drawing  
 4/24/2026 2:05:33 PM

SUBMITTAL  
 APPROVED BY: