

Job Name: 26-1232 - Mustang Village Apartments Ph.1
Job Location: Paducah, KY
Contractor: Wood Brothers

PC: T. Lewis
 TECH: Jared - F
 Plant: 100



Structure ID: **S24-24 ST-DBI**

Spec: Storm
 Type: STM.MH (Recessed pipe)
 Size: 48"

Rim: 379'
 Invert: 375.96'
 Rim to Invert: 3.04'

Sump: 0"
 Floor (Top): 375.96'
 Floor Height: 6"

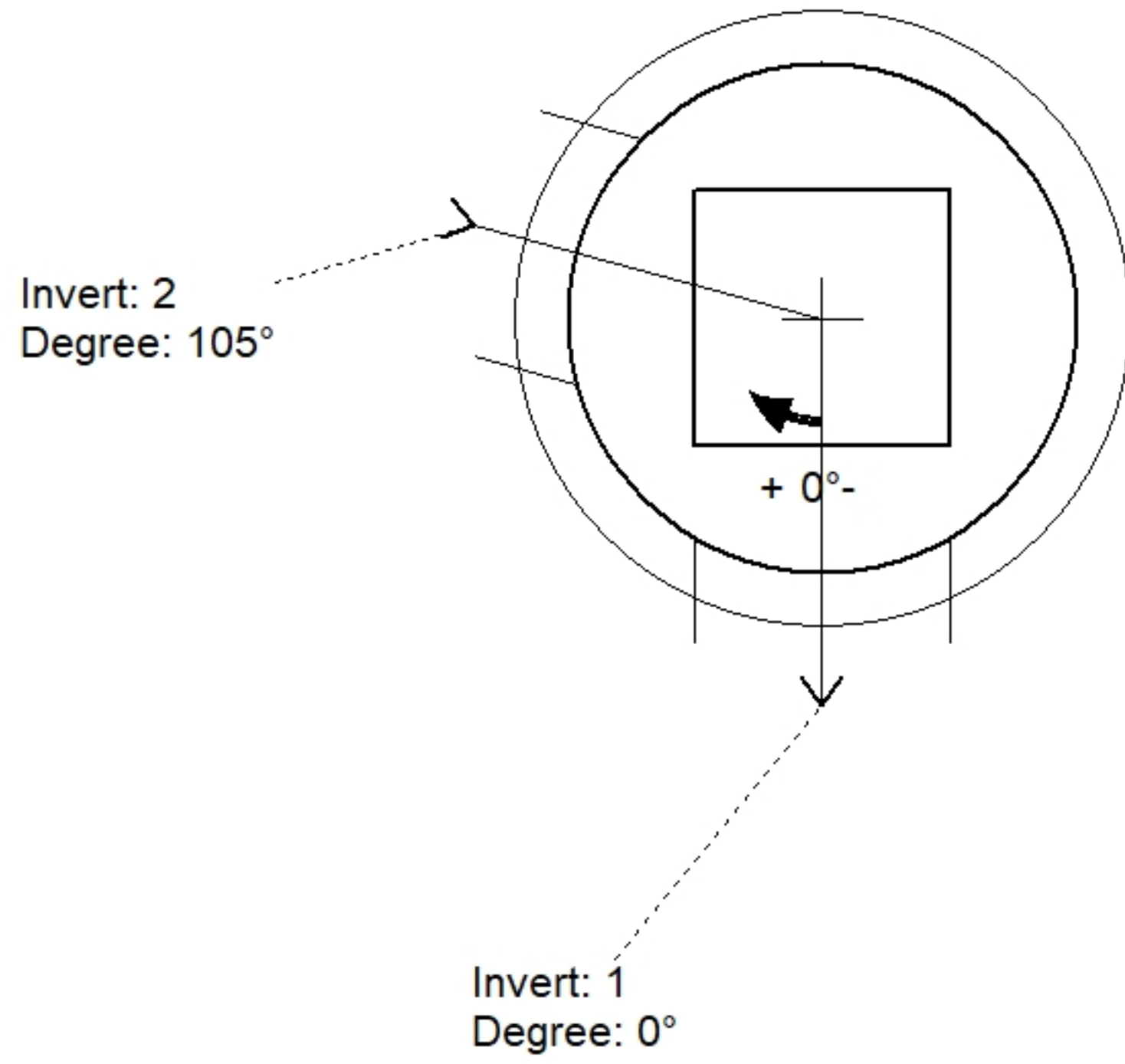
Floor (Bot): 375.46'
 Overall Height: 3.5'
 Slack: 0.48"

Structure Notes:

- PER ASTM C478 SPECIFICATIONS.
 - CONCRETE = 4,000 PSI AT 28 DAYS.
 - NO STEPS AND NO INVERT CHANNEL.
 - CASTING BY ICAST (HOE-315 ANGLE F/G).
- REINFORCING PER ASTM A615 (GRADE 60).
 - TOP SLAB (As .62) #5 BARS AT 6" C.C.E.W..
 - RISER/WALLS (As .12)
 - FLOOR (As .31) #5 BARS AT 12" C.C.E.W.

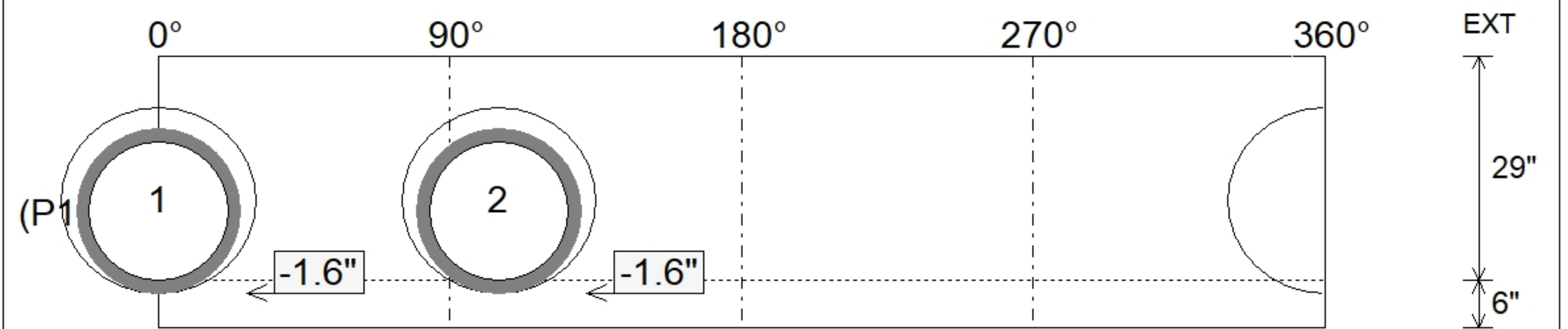
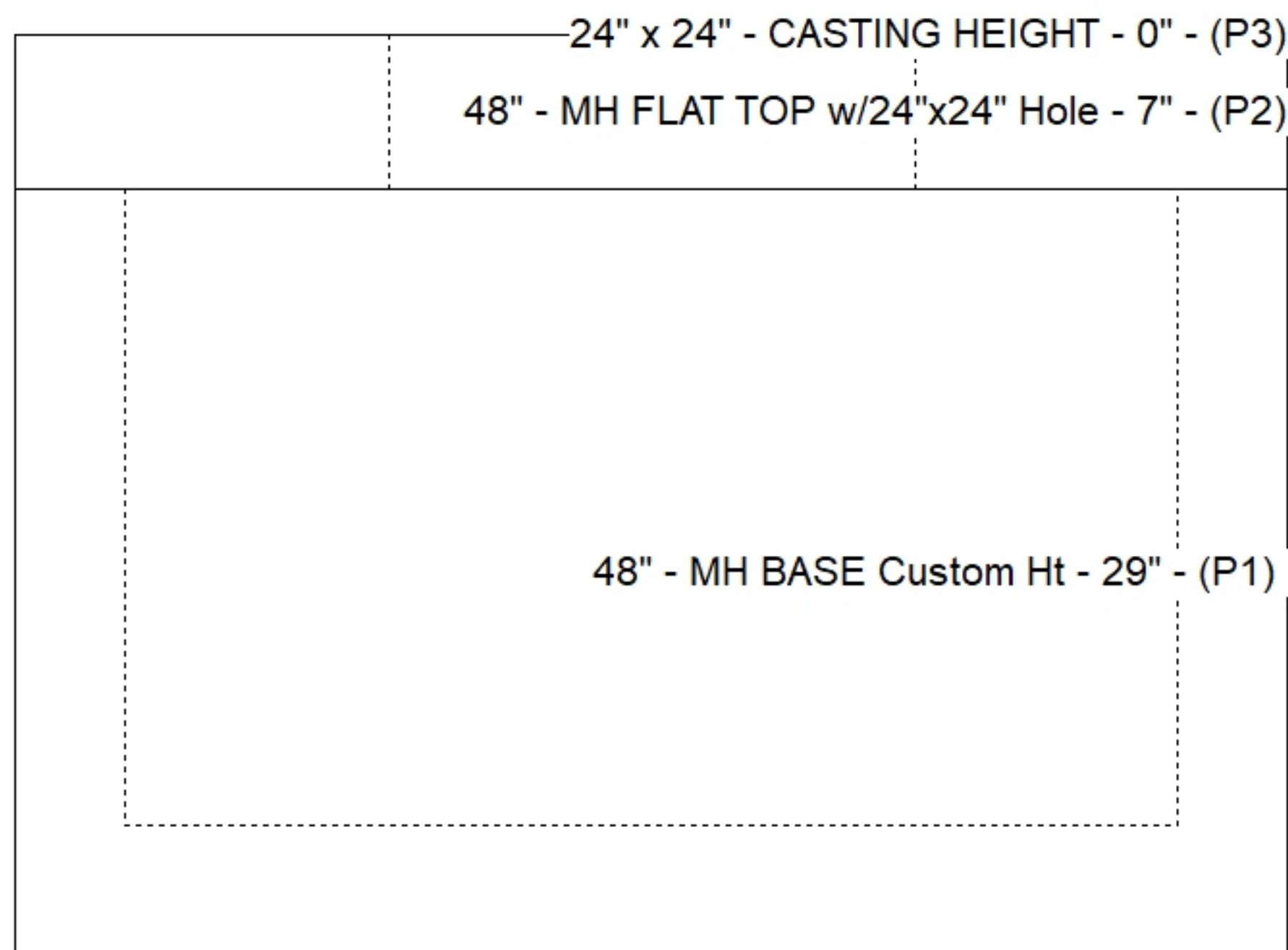
STRUCTURE SUMMARY:

P3) 24" x 24" - CASTING HEIGHT - 0"	0 lb
P2) 48" - MH FLAT TOP w/24"x24" Hole - 7"	1214 lb
P1) 48" - MH BASE Custom Ht - 29"	2962 lb
1) CASTING - HOE HOE-315 ANGLE F/G	258 lb
1) 48" - Conseal CS-102 1.00"	0 lb
1) 24" x 24" - Conseal CS-102 1.00"	0 lb
2) Hole - 24	0 lb
Structure Total:	4433 lb



Position	Elev	Angle	Pipe	Pipe OD	Hole	Connector	Up ()	Ref
Rim	379'							
Reducer								
Invert 1	375.96'	0°	18" HDPE	21.2"	24"	Hole 24	-1.6"	P1
Invert 2	375.96'	105°	18" HDPE	21.2"	24"	Hole 24	-1.6"	P1
Invert 3								
Invert 4								
Invert 5								
Invert 6								
Invert 7								
Invert 8								

Default - Interior Dimensions



Submittal Drawing
 4/24/2026 2:05:33 PM

SUBMITTAL
 APPROVED BY: