

**Job Name: 26-1232 - Mustang Village Apartments Ph.1**  
**Job Location: Paducah, KY**  
**Contractor: Wood Brothers**

PC: T. Lewis  
 TECH: Jared - F  
 Plant: 100



Structure ID: **S20-20 DBI13G**  
 Spec: KYTC  
 Type: DBI TYPE 13G private  
 Size: 15" x 27"

Rim: 381.71'  
 Invert: 379.21'  
 Rim to Invert: 2.5'

Sump: 0"  
 Floor (Top): 379.21'  
 Floor Height: 8"

Floor (Bot): 378.543'  
 Overall Height: 3.167'  
 Slack: 0"

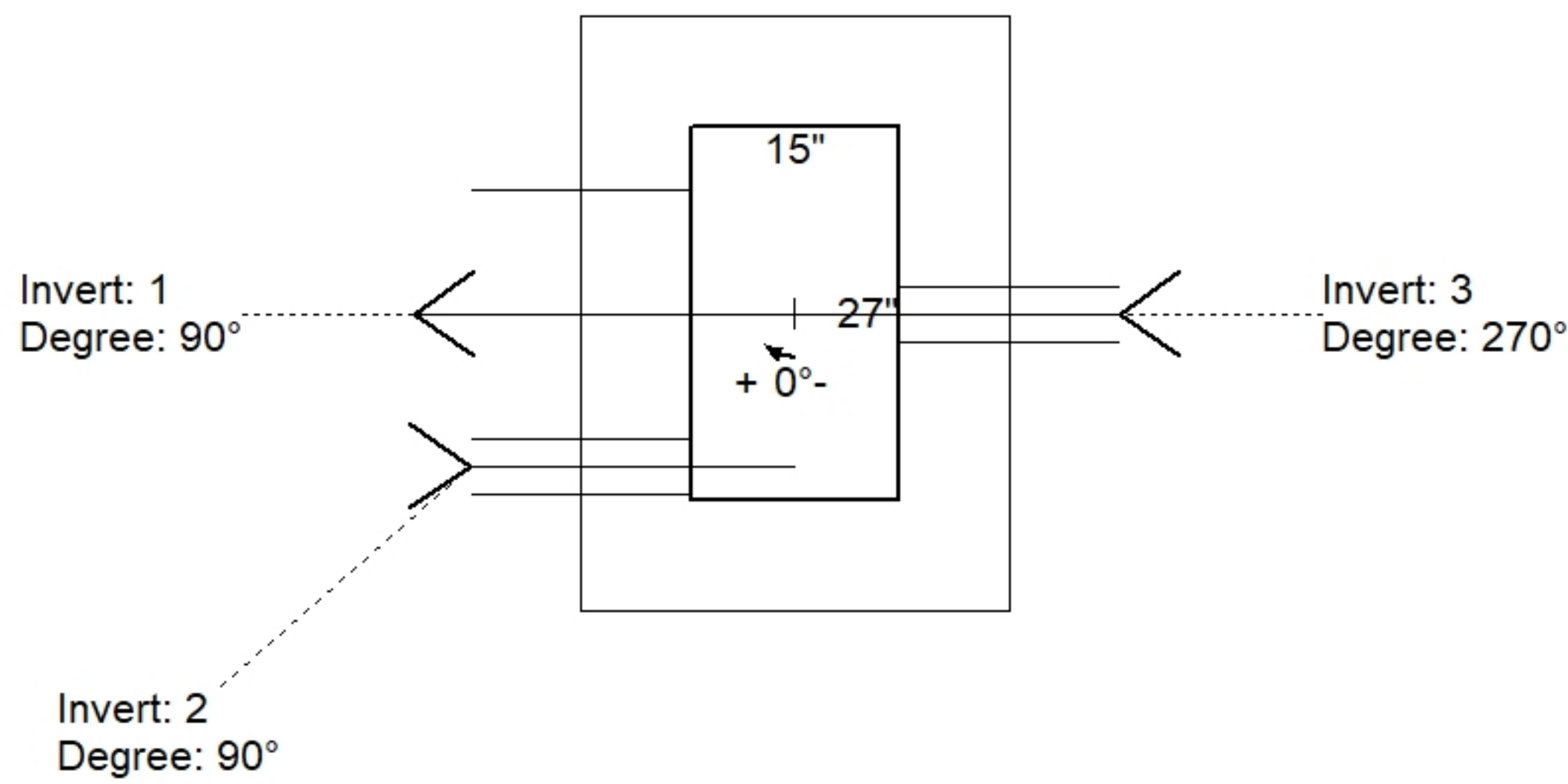
**Structure Notes:**

- KYTC DBI TYPE 13G / ASTM C-913 SPEC'S.
- CONCRETE = 4,000 PSI AT 28 DAYS.
- CASTING BY ICAST (HOE KY-230-G F/G (GRADE)).

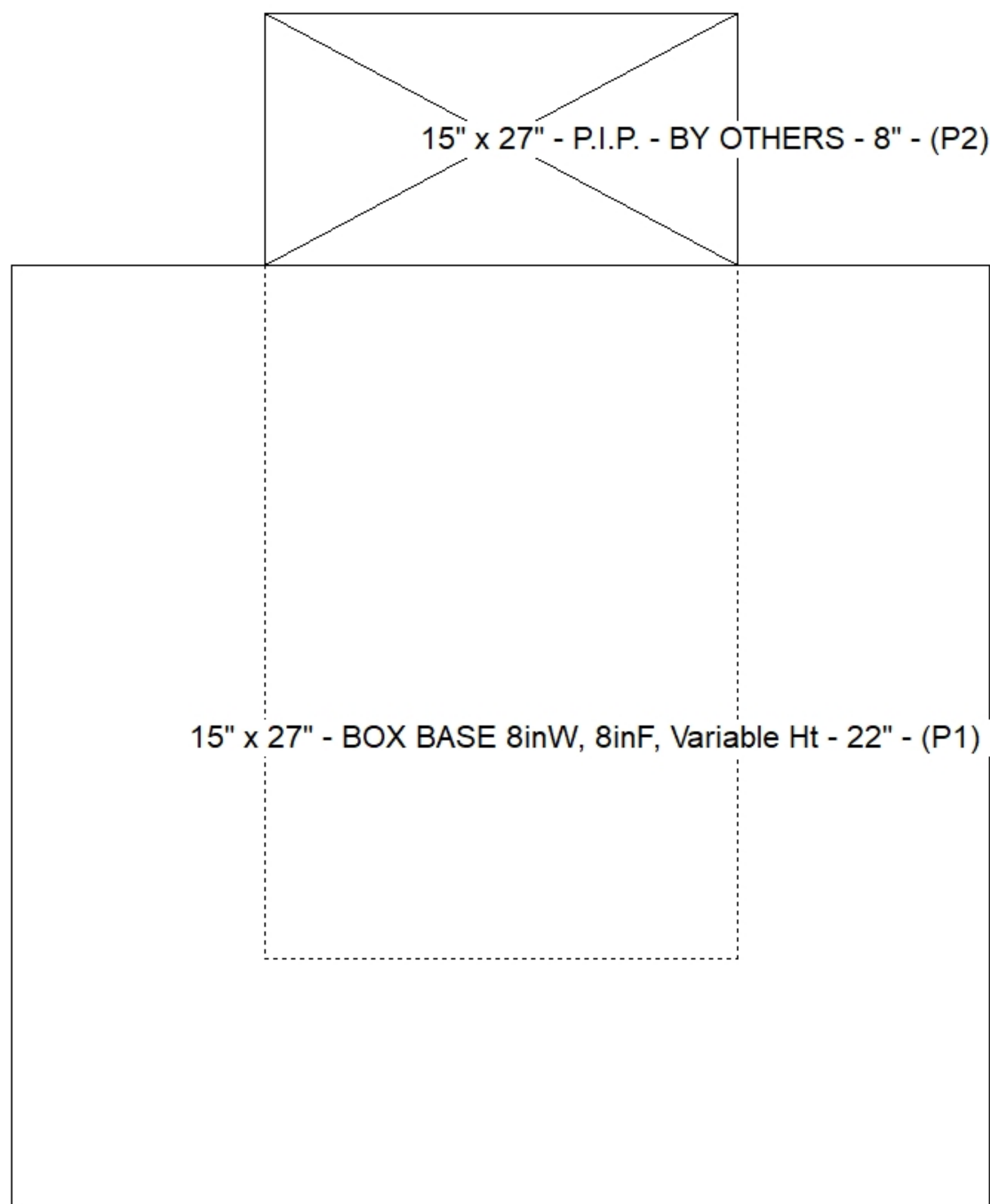
REINFORCING PER ASTM A615 (GRADE 60).  
 - WALLS (As .31) #5 BARS AT 12" C.C.E.W..  
 - FLOOR (As .31) #5 BARS AT 12" C.C.E.W.

**STRUCTURE SUMMARY:**

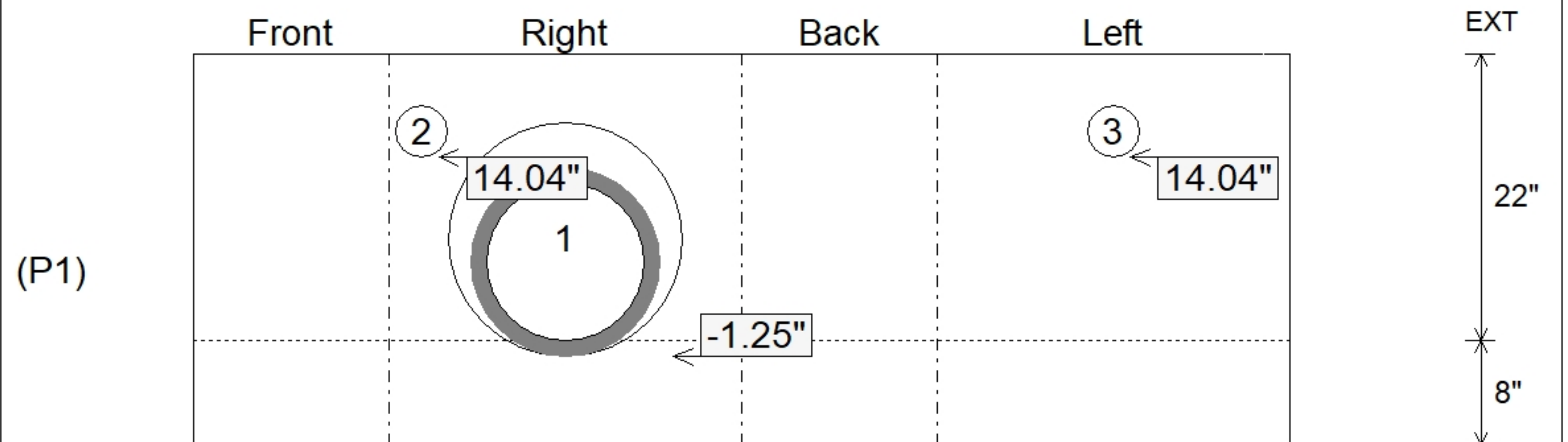
P2) 15" x 27" - P.I.P. - BY OTHERS - 8"	0 lb
P1) 15" x 27" - BOX BASE 8inW, 8inF, Variable Ht - 22"	2420 lb
1) CASTING - HOE KY-230-G F/G (GRADE)	237 lb
1) SECONDARY POUR - WALLS	0 lb
1) 15" x 27" - Conseal CS-102 1.00"	0 lb
1) Hole - 18	0 lb
2) Hole - 4	0 lb
<b>Structure Total:</b>	<b>2657 lb</b>



Position	Elev	Angle	Pipe	Pipe OD	Hole	Connector	Up (")	Ref
Rim	381.71'							
Reducer								
Invert 1	379.21'	90°	12" HDPE	14.5"	18"	Hole 18	-1.25"	P1
Invert 2	380.38'	90°	4" WEEP HOLE	4"	4"	Hole 4	14.04"	P1
Invert 3	380.38'	270°	4" WEEP HOLE	4"	4"	Hole 4	14.04"	P1
Invert 4								
Invert 5								
Invert 6								
Invert 7								
Invert 8								



**Default - Interior Dimensions**



Submittal Drawing  
 4/24/2026 2:05:31 PM

SUBMITTAL  
 APPROVED BY: