

Job Name: 26-1232 - Mustang Village Apartments Ph.1
Job Location: Paducah, KY
Contractor: Wood Brothers

PC: T. Lewis
 TECH: Jared - F
 Plant: 100



Structure ID: **S18-18 ST-JB**

Spec: Storm
 Type: STM.MH (Recessed pipe)
 Size: 48"

Rim: 380.68'
 Invert: 376.78'
 Rim to Invert: 3.9'

Sump: 0"
 Floor (Top): 376.78'
 Floor Height: 6"

Floor (Bot): 376.28'
 Overall Height: 4.333'
 Slack: 0.8"

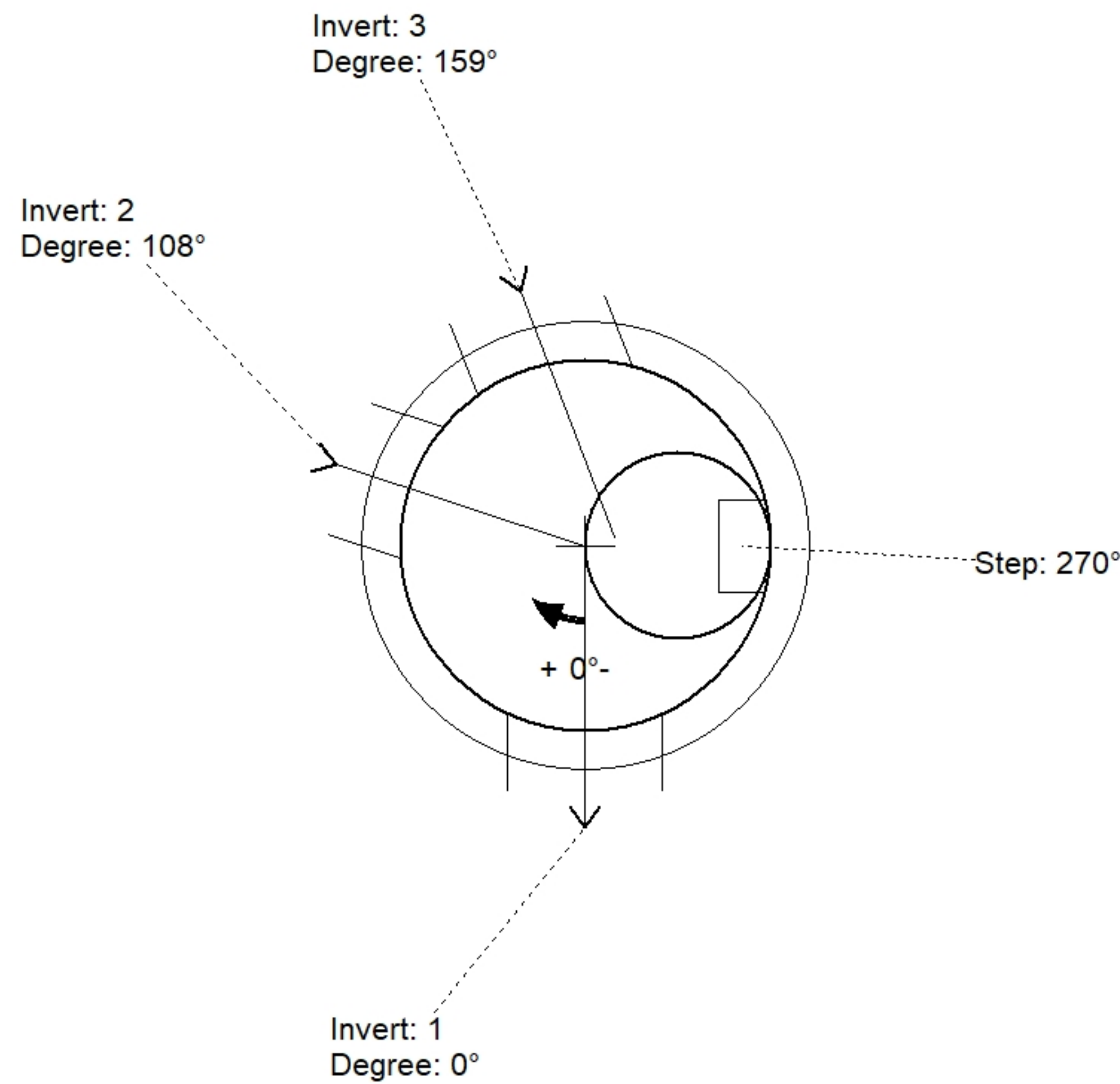
Structure Notes:

1. PER ASTM C478 SPECIFICATIONS.
2. CONCRETE = 4,000 PSI AT 28 DAYS.
3. NO INVERT CHANNEL.
4. CASTING BY ICAST (HOE MC-375 F/C STORM).

REINFORCING PER ASTM A615 (GRADE 60).
 - TOP SLAB (As .62) #5 BARS AT 6" C.C.E.W..
 - RISER/WALLS (As .12)
 - FLOOR (As .31) #5 BARS AT 12" C.C.E.W.

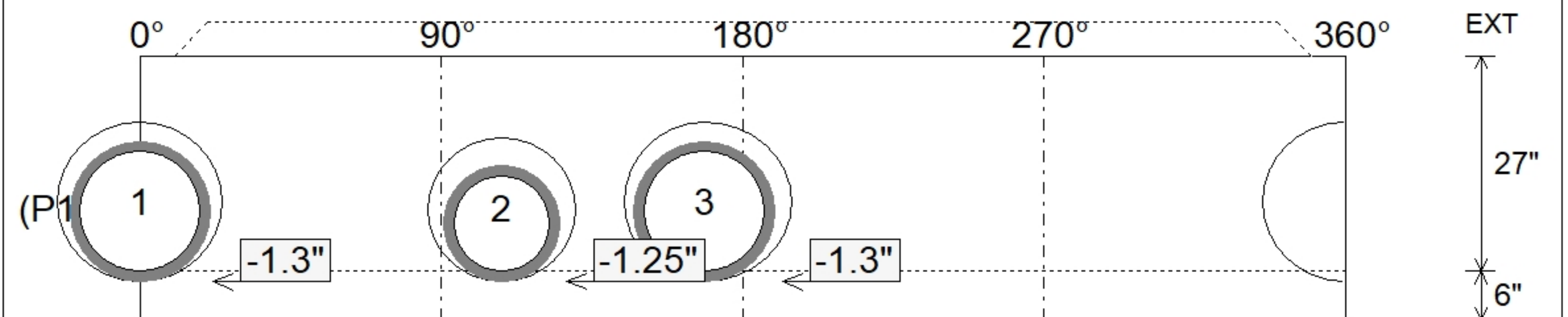
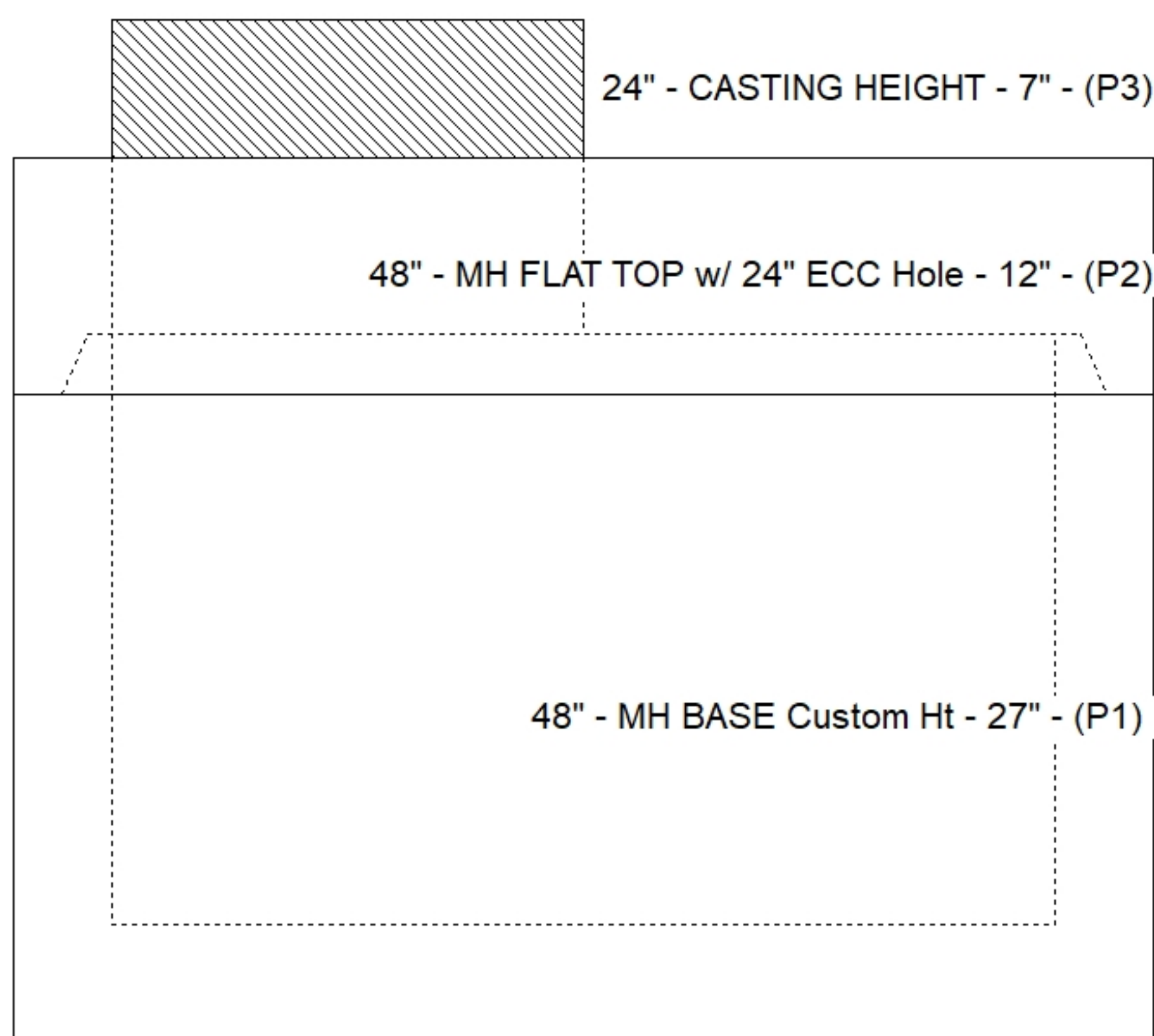
STRUCTURE SUMMARY:

P3) 24" - CASTING HEIGHT - 7"	0 lb
P2) 48" - MH FLAT TOP w/ 24" ECC Hole - 12"	1561 lb
P1) 48" - MH BASE Custom Ht - 27"	2835 lb
1) CASTING - HOE MC-375 F/C Storm	271 lb
1) 48" - Conseal CS-102 1.00"	0 lb
2) Hole - 20	0 lb
1) Hole - 18	0 lb
2) MH Step ML-10-TDS-NCR - 10"	0 lb
Structure Total:	4667 lb



Position	Elev	Angle	Pipe	Pipe OD	Hole	Connector	Up (↓)	Ref
Rim	380.68'							
Reducer								
Invert 1	376.78'	0°	15" HDPE	17.6"	20"	Hole 20	-1.3"	P1
Invert 2	376.78'	108°	12" HDPE	14.5"	18"	Hole 18	-1.25"	P1
Invert 3	376.78'	159°	15" HDPE	17.6"	20"	Hole 20	-1.3"	P1
Invert 4								
Invert 5								
Invert 6								
Invert 7								
Invert 8								

Default - Interior Dimensions



Submittal Drawing
 4/24/2026 2:05:30 PM

SUBMITTAL
 APPROVED BY: