

Job Name: 26-1232 - Mustang Village Apartments Ph.1
 Job Location: Paducah, KY
 Contractor: Wood Brothers

Plant: 100
 4/21/2026 8:03:09 PM

Tech: Jared - F
 PC: T. Lewis



Structure ID: S18-18 ST-JB

P1 MH048BAVF

MH BASE Custom Ht T/n

- P3) 24" - CASTING HEIGHT - 7"
- P2) 48" - MH FLAT TOP w/ 24" ECC Hole F/G - 12"
- P1) 48" - MH BASE Custom Ht T/n - 27"
- 1) CASTING - HOE MC-375 F/C Storm
- 1) 48" - Conseal CS-102 1.00"
- 2) Hole - 20
- 1) Hole - 18
- 2) MH Step ML-10-TDS-NCR - 10"

0 lb
 1561 lb
 2835 lb
 271 lb
 0 lb
 0 lb
 0 lb
 0 lb
 0 lb
 Structure Total: 4667 lb

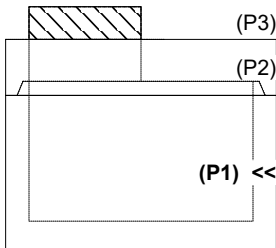
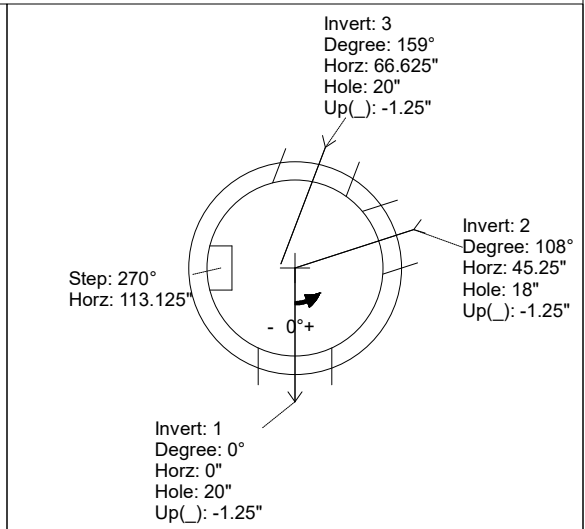
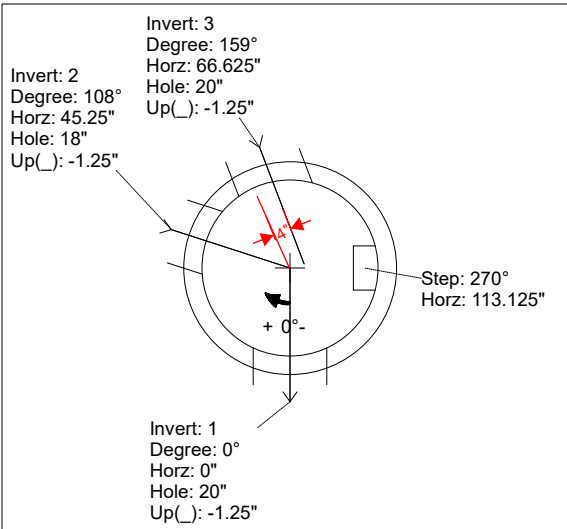
Structure Notes:
 1. PER ASTM C478 SPECIFICATIONS.
 2. CONCRETE = 4,000 PSI AT 28 DAYS.
 3. NO INVERT CHANNEL.
 4. CASTING BY ICAST (HOE MC-375 F/C STORM).
 REINFORCING PER ASTM A615 (GRADE 60).
 - TOP SLAB (As .62) #5 BARS AT 6" C.C.E.W..
 - RISER/WALLS (As .12)
 - FLOOR (As .31) #5 BARS AT 12" C.C.E.W.

Rim: 380.68' Rim to Invert: 3.9' Slack: 0.8" Sump: 0" Step Position: 270

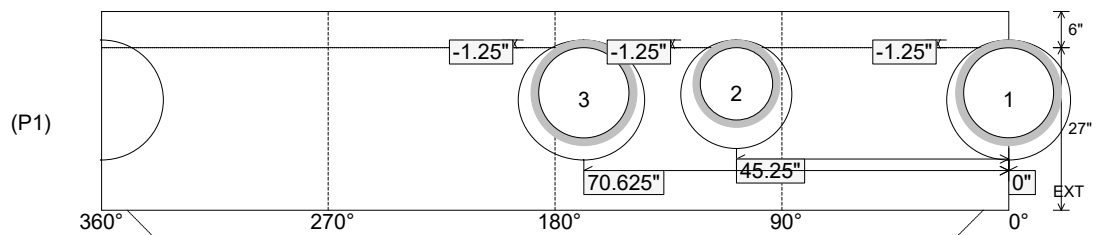
Position	Elev	Angle	Ext. (cw)	Pipe	Pipe OD	Connector	Hole	Horz Size	Up ()	Offset
Invert 1	376.78'	0°	0"	15" HDPE	17.6"	Hole 20	20"	20.629"	-1.25"	0"
Invert 2	376.78'	108°	54.625"	12" HDPE	14.5"	Hole 18	18"	18.451"	-1.25"	0"
Invert 3	376.78'	159°	84.5"	15" HDPE	17.6"	Hole 20	20"	21.012"	-1.25"	4"
Invert 4										
Invert 5										
Invert 6										
Invert 7										
Invert 8										

RIGHT-SIDE UP VIEW (int. dimensions)

UPSIDE-DOWN VIEW (int. dimensions)



INSIDE WALL DIMENSIONS



Coating (Int):
 Coating (Ext):

Seam Up: Tongue
 Seam Dn: n/a

Wall Thickness: 5"
 Floor Height: 6"

Height (Int): 27"
 Height (Ext): 33"

Weight (Net): 2835 lb
 Volume (Net): 0.72cu.yd