

**Job Name: 26-1232 - Mustang Village Apartments Ph.1**  
**Job Location: Paducah, KY**  
**Contractor: Wood Brothers**

PC: T. Lewis  
 TECH: Jared - F  
 Plant: 100



Structure ID: **S17-17 DBI13G**

Spec: KYTC  
 Type: DBI TYPE 13G private  
 Size: 24" x 36"

Rim: 378.41'  
 Invert: 374.64'  
 Rim to Invert: 3.77'

Sump: 0"  
 Floor (Top): 374.64'  
 Floor Height: 8"

Floor (Bot): 373.973'  
 Overall Height: 4.417'  
 Slack: 0.24"

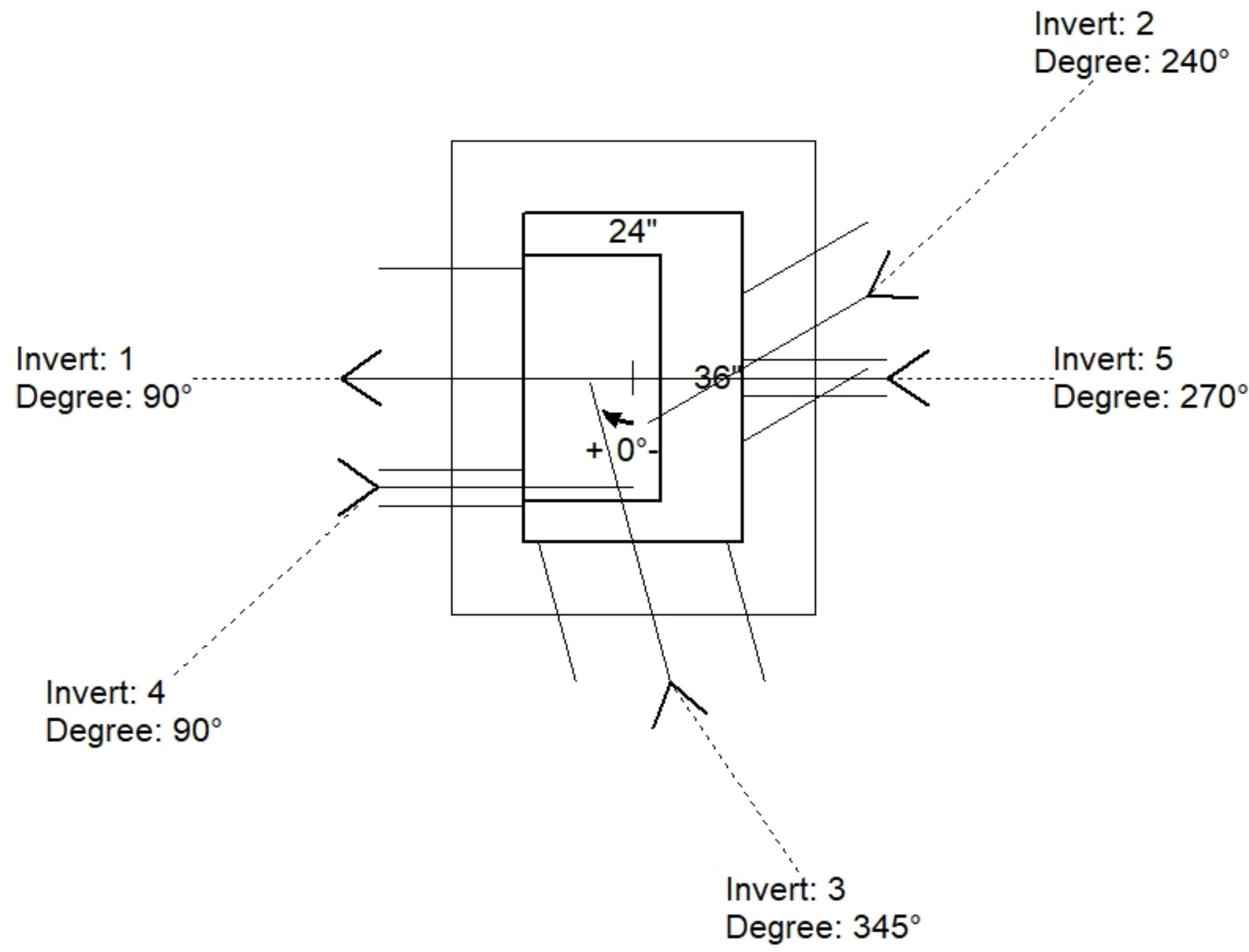
**Structure Notes:**

- KYTC DBI TYPE 13G / ASTM C-913 SPEC'S.
- CONCRETE = 4,000 PSI AT 28 DAYS.
- CASTING BY ICAST (HOE KY-230-G F/G (GRADE)).

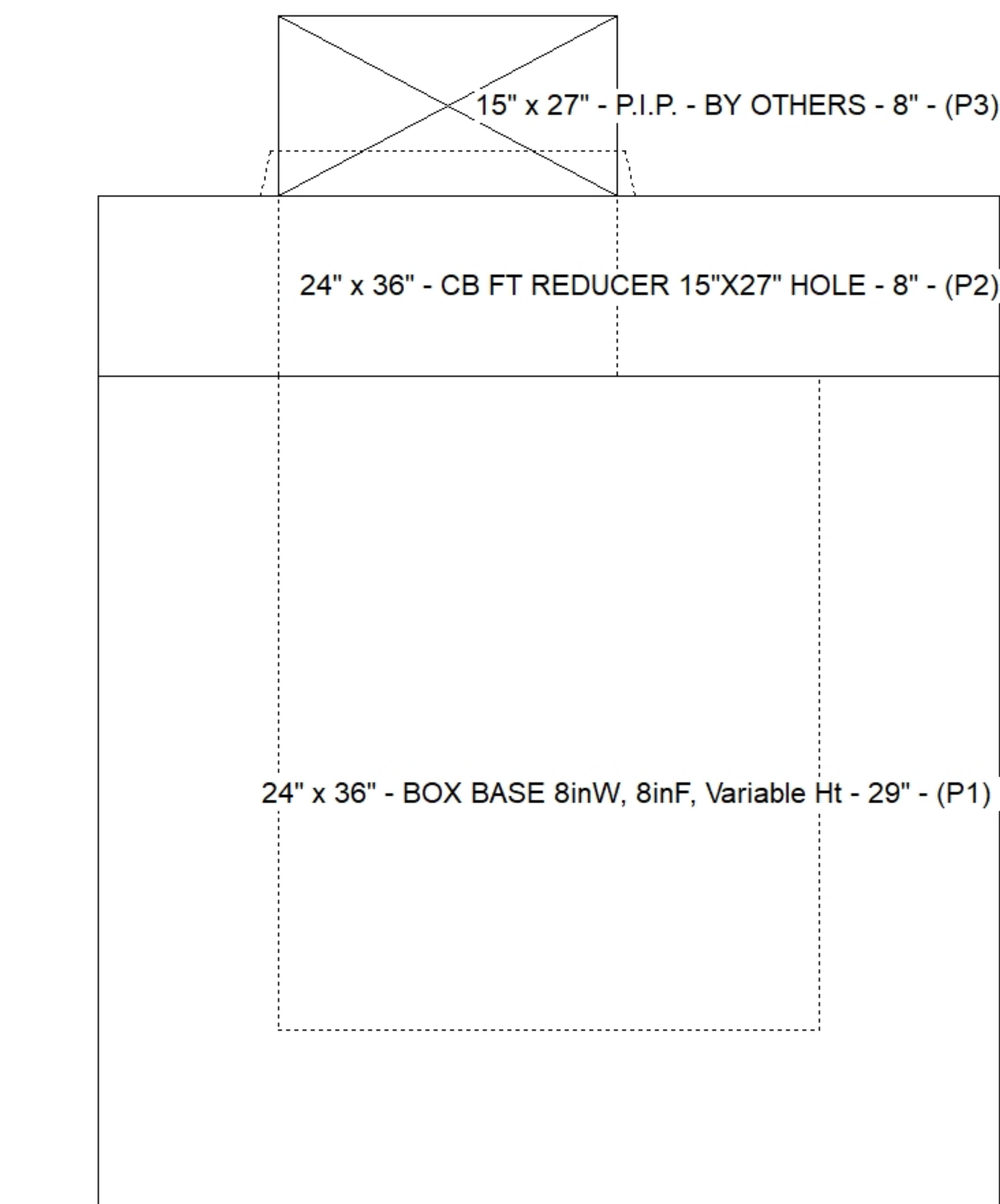
REINFORCING PER ASTM A615 (GRADE 60).  
 - TRANS. SLAB (As .62) #5 BARS AT 6" C.C.E.W. (DBL MAT).  
 - WALLS (As .31) #5 BARS AT 12" C.C.E.W..  
 - FLOOR (As .31) #5 BARS AT 12" C.C.E.W.

**STRUCTURE SUMMARY:**

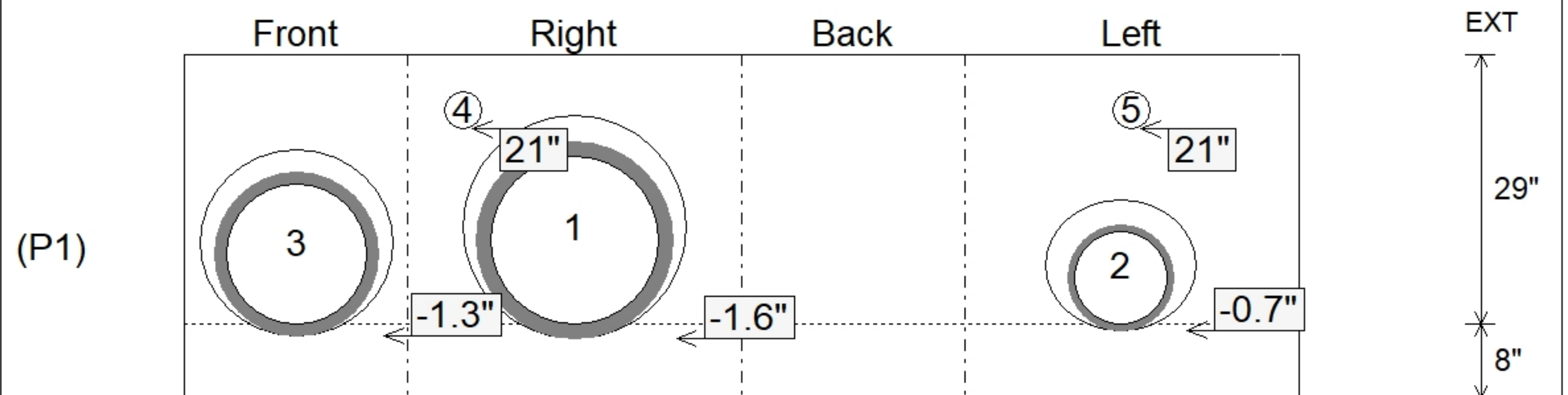
P3) 15" x 27" - P.I.P. - BY OTHERS - 8"	0 lb
P2) 24" x 36" - CB FT REDUCER 15"X27" HOLE - 8"	1124 lb
P1) 24" x 36" - BOX BASE 8inW, 8inF, Variable Ht - 29"	3697 lb
1) CASTING - HOE KY-230-G F/G (GRADE)	237 lb
1) 24" x 36" - Conseal CS-102 1.00"	0 lb
1) 15" x 27" - Conseal CS-102 1.00"	0 lb
1) Hole - 24	0 lb
1) Hole - 14	0 lb
1) Hole - 20	0 lb
2) Hole - 4	0 lb
<b>Structure Total:</b>	<b>5059 lb</b>



Position	Elev	Angle	Pipe	Pipe OD	Hole	Connector	Up (")	Ref
Rim	378.41'							
Reducer	377.057'							
Invert 1	374.64'	90°	18" HDPE	21.2"	24"	Hole 24	-1.6"	P1
Invert 2	374.64'	240°	10" HDPE	11.4"	14"	Hole 14	-0.7"	P1
Invert 3	374.64'	345°	15" HDPE	17.6"	20"	Hole 20	-1.3"	P1
Invert 4	376.39'	90°	4" WEEP HOLE	4"	4"	Hole 4	21"	P1
Invert 5	376.39'	270°	4" WEEP HOLE	4"	4"	Hole 4	21"	P1
Invert 6								
Invert 7								
Invert 8								



**Default - Interior Dimensions**



Submittal Drawing  
 4/24/2026 2:05:29 PM

SUBMITTAL  
 APPROVED BY: