

**Job Name: 26-1232 - Mustang Village Apartments Ph.1**

**Job Location: Paducah, KY**

**Contractor: Wood Brothers**

PC: T. Lewis

TECH: Jared - F

Plant: 100



Structure ID: **S16-16 DBI13G**

Spec: KYTC

Type: DBI TYPE 13G private

Size: 36" x 36"

Rim: 378.41'

Invert: 374.38'

Rim to Invert: 4.03'

Sump: 0"

Floor (Top): 374.38'

Floor Height: 8"

Floor (Bot): 373.713'

Overall Height: 4.667'

Slack: 0.36"

**Structure Notes:**

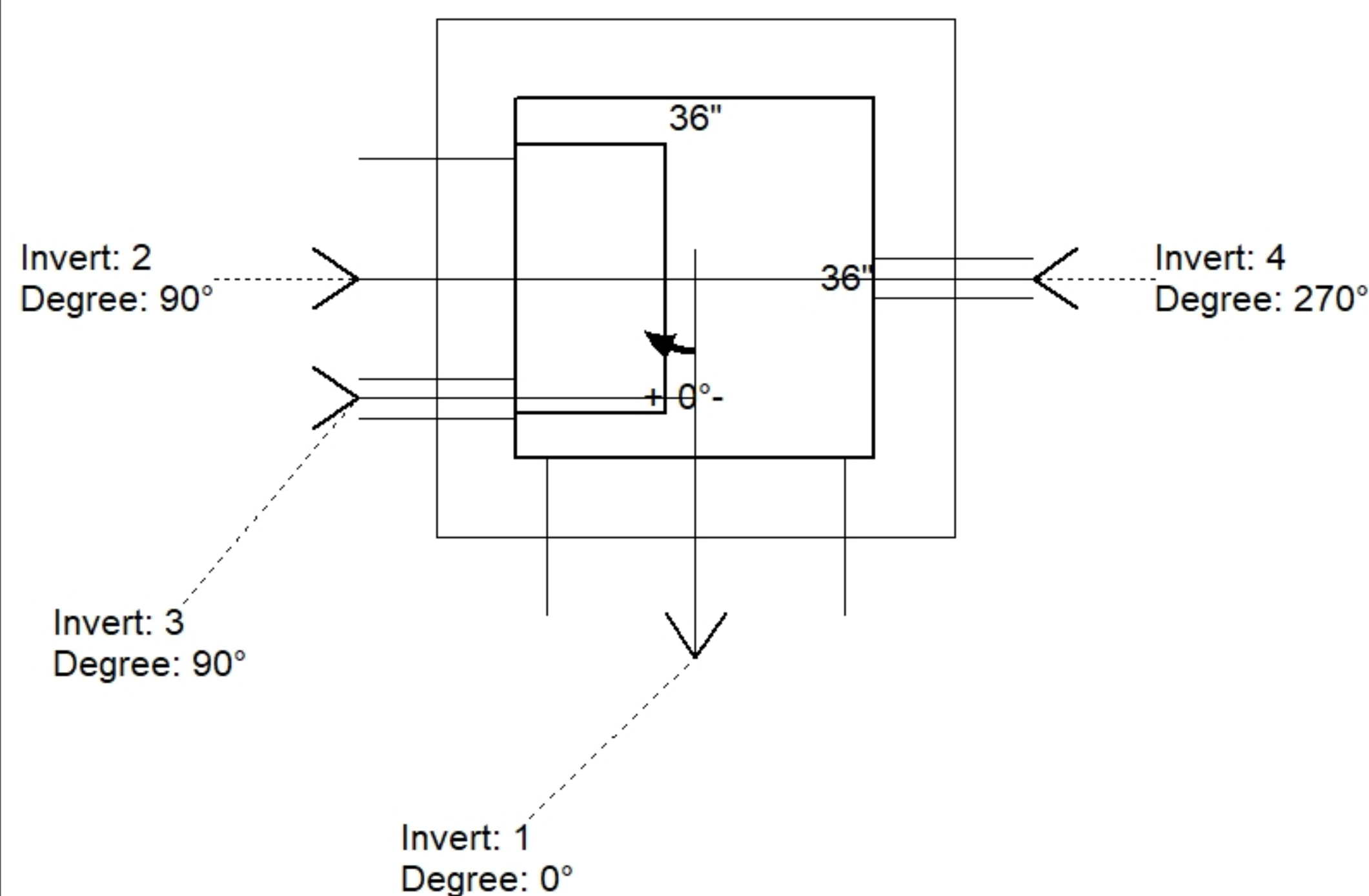
1. KYTC DBI TYPE 13G / ASTM C-913 SPEC'S.
2. CONCRETE = 4,000 PSI AT 28 DAYS.
3. CASTING BY ICAST (HOE KY-230-G F/G (GRADE)).

REINFORCING PER ASTM A615 (GRADE 60).

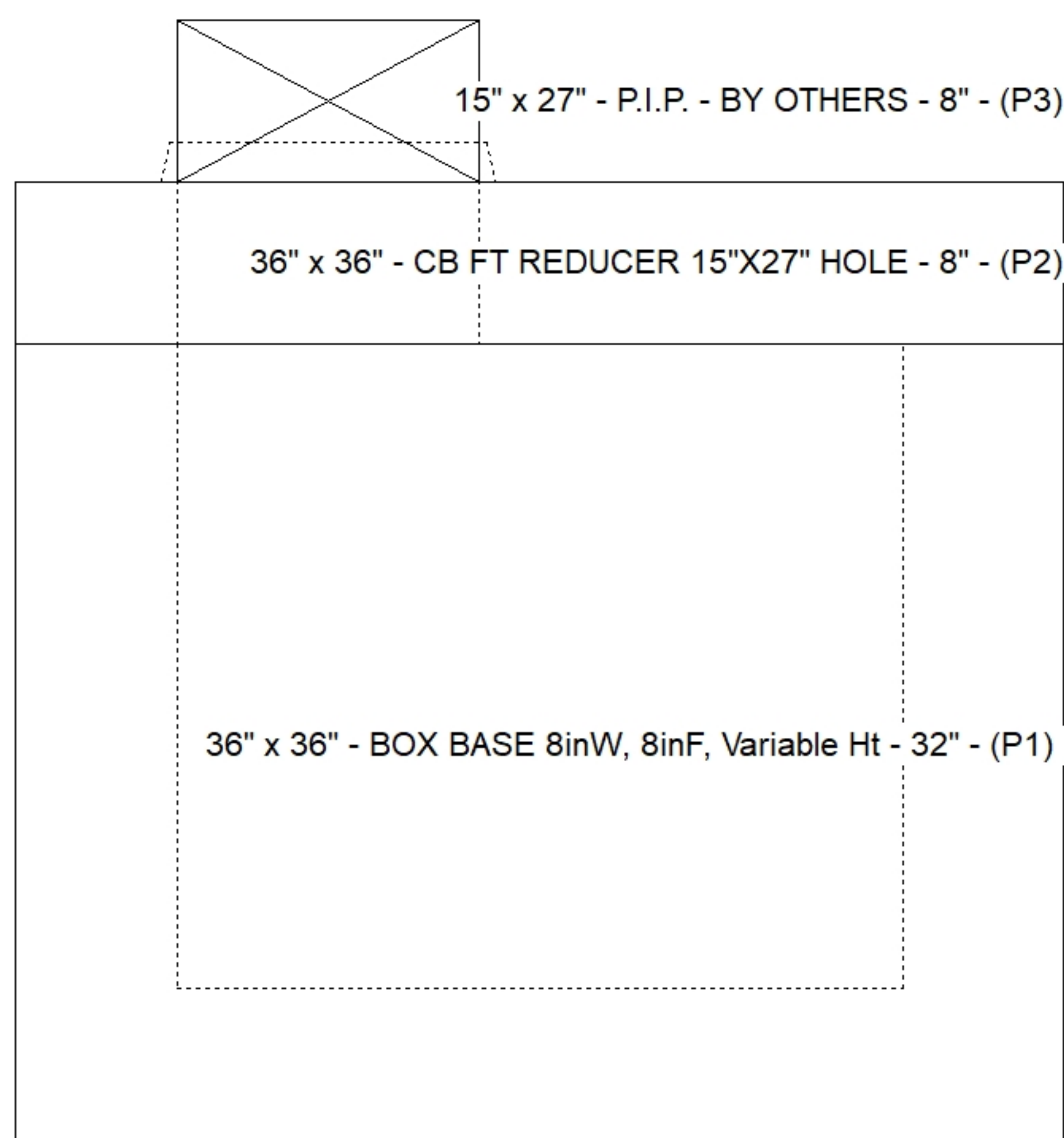
- TRANS. SLAB (As .62) #5 BARS AT 6" C.C.E.W. (DBL MAT).
- WALLS (As .31) #5 BARS AT 12" C.C.E.W..
- FLOOR (As .31) #5 BARS AT 12" C.C.E.W.

**STRUCTURE SUMMARY:**

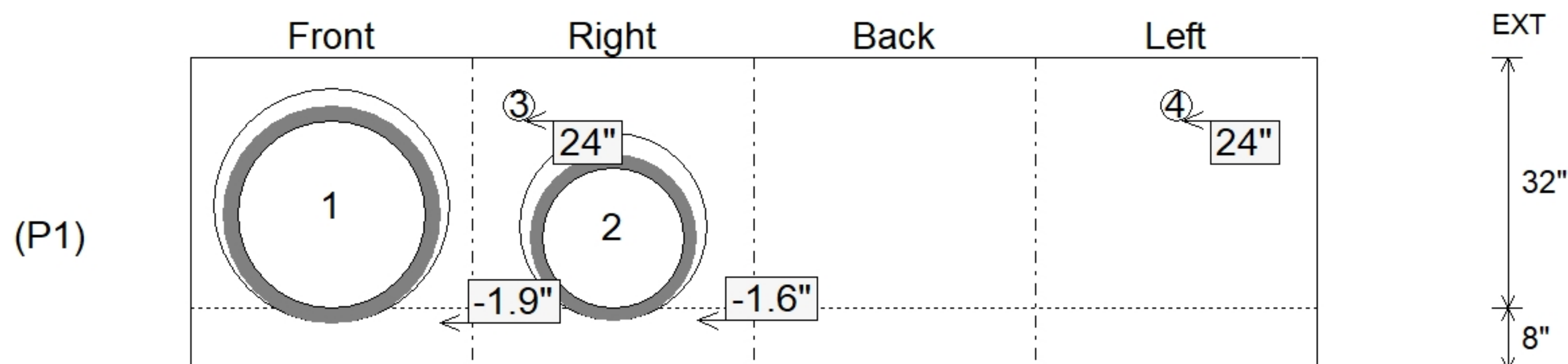
P3) 15" x 27" - P.I.P. - BY OTHERS - 8"	0 lb
P2) 36" x 36" - CB FT REDUCER 15"X27" HOLE - 8"	1543 lb
P1) 36" x 36" - BOX BASE 8inW, 8inF, Variable Ht - 32"	4801 lb
1) CASTING - HOE KY-230-G F/G (GRADE)	237 lb
1) 36" x 36" - Conseal CS-102 1.00"	0 lb
1) 15" x 27" - Conseal CS-102 1.00"	0 lb
1) Hole - 30	0 lb
1) Hole - 24	0 lb
2) Hole - 4	0 lb
<b>Structure Total:</b>	<b>6581 lb</b>



Position	Elev	Angle	Pipe	Pipe OD	Hole	Connector	Up (")	Ref
Rim	378.41'							
Reducer	377.047'							
Invert 1	374.38'	0°	24" HDPE	27.8"	30"	Hole 30	-1.9"	P1
Invert 2	374.38'	90°	18" HDPE	21.2"	24"	Hole 24	-1.6"	P1
Invert 3	376.38'	90°	4" WEEP HOLE	4"	4"	Hole 4	24"	P1
Invert 4	376.38'	270°	4" WEEP HOLE	4"	4"	Hole 4	24"	P1
Invert 5								
Invert 6								
Invert 7								
Invert 8								



**Default - Interior Dimensions**



Submittal Drawing  
4/24/2026 2:05:29 PM

SUBMITTAL  
APPROVED BY: