

Job Name: 26-1232 - Mustang Village Apartments Ph.1  
 Job Location: Paducah, KY  
 Contractor: Wood Brothers

Plant: 100  
 4/21/2026 8:03:06 PM

Tech: Jared - F  
 PC: T. Lewis



**Structure ID: S15-15 ST-JB**

**P1 MH060BAVF**

**MH BASE Custom Ht F/n**

- P3) 24" - CASTING HEIGHT - 7"
- P2) 60" - MH FLAT TOP w/ 24" ECC Hole F/F - 8"
- P1) 60" - MH BASE Custom Ht F/n - 44"
- 1) CASTING - HOE MC-375 F/C Storm
- 1) 60" - Conseal CS-102 1.00"
- 1) Hole - 38
- 2) Hole - 30
- 3) MH Step ML-10-TDS-NCR - 10"

0 lb  
 2429 lb  
 5977 lb  
 271 lb  
 0 lb  
 0 lb  
 0 lb  
 0 lb  
 0 lb  
 Structure Total: 8677 lb

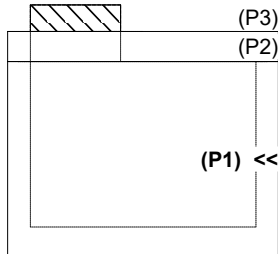
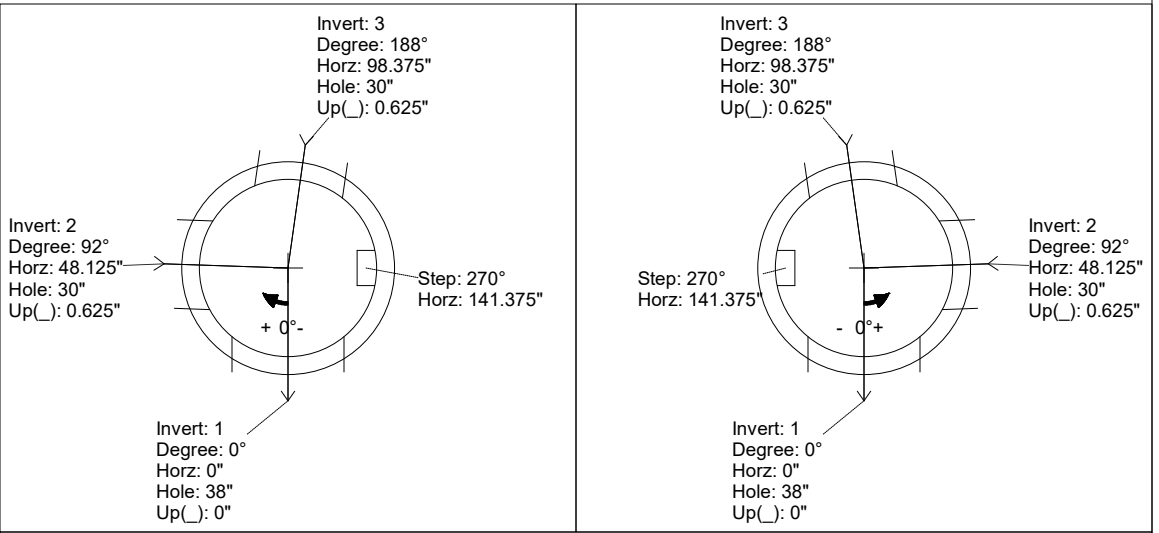
**Structure Notes:**  
 1. PER ASTM C478 SPECIFICATIONS.  
 2. CONCRETE = 4,000 PSI AT 28 DAYS.  
 3. NO INVERT CHANNEL.  
 4. CASTING BY ICAST (HOE MC-375 F/C STORM).  
  
 REINFORCING PER ASTM A615 (GRADE 60).  
 - TOP SLAB (As .62) #5 BARS AT 6" C.C.E.W..  
 - RISER/WALLS (As .18)  
 - FLOOR (As .37) #5 BARS AT 10" C.C.E.W.

Rim: 376.95' Rim to Invert: 4.71' Slack: 0.07" Sump: 2.55" Step Position: 270

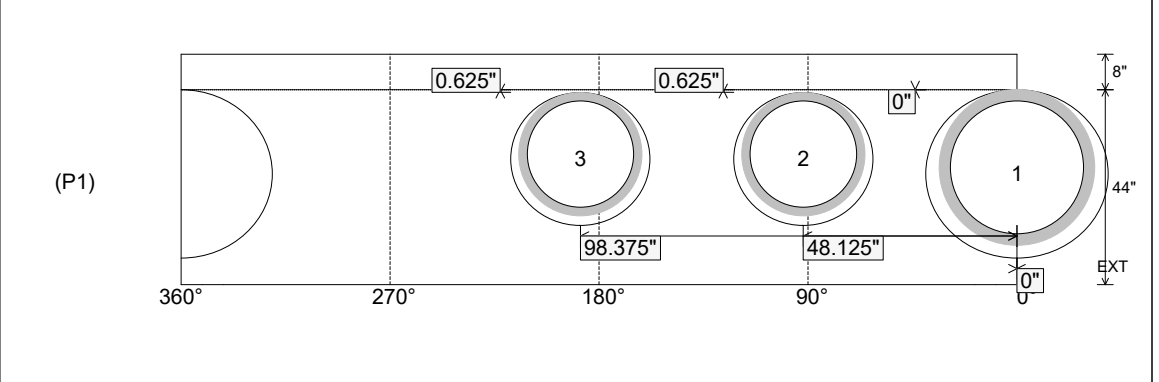
Position	Elev	Angle	Ext. (cw)	Pipe	Pipe OD	Connector	Hole	Horz Size	Up ( )	Offset
Invert 1	372.24'	0°	0"	30" HDPE	35.1"	Hole 38	38"	41.151"	0"	0"
Invert 2	372.24'	92°	57.75"	24" HDPE	27.8"	Hole 30	30"	31.416"	0.625"	0"
Invert 3	372.24'	188°	118.125"	24" HDPE	27.8"	Hole 30	30"	31.416"	0.625"	0"
Invert 4										
Invert 5										
Invert 6										
Invert 7										
Invert 8										

RIGHT-SIDE UP VIEW (int. dimensions)

UPSIDE-DOWN VIEW (int. dimensions)



INSIDE WALL DIMENSIONS



Coating (Int): Coating (Ext):	Seam Up: Flat Seam Dn: n/a	Wall Thickness: 6" Floor Height: 8"	Height (Int): 44" Height (Ext): 52"	Weight (Net): 5977 lb Volume (Net): 1.53cu.yd
----------------------------------	-------------------------------	--	--	--