

Job Name: 26-1232 - Mustang Village Apartments Ph.1
Job Location: Paducah, KY
Contractor: Wood Brothers

PC: T. Lewis
 TECH: Jared - F
 Plant: 100



Structure ID: **S14-14 DBI13G**

Spec: KYTC
 Type: DBI TYPE 13G private
 Size: 48" x 48"

Rim: 376'
 Invert: 371.63'
 Rim to Invert: 4.37'

Sump: 0"
 Floor (Top): 371.63'
 Floor Height: 8"

Floor (Bot): 370.963'
 Overall Height: 5'
 Slack: 0.44"

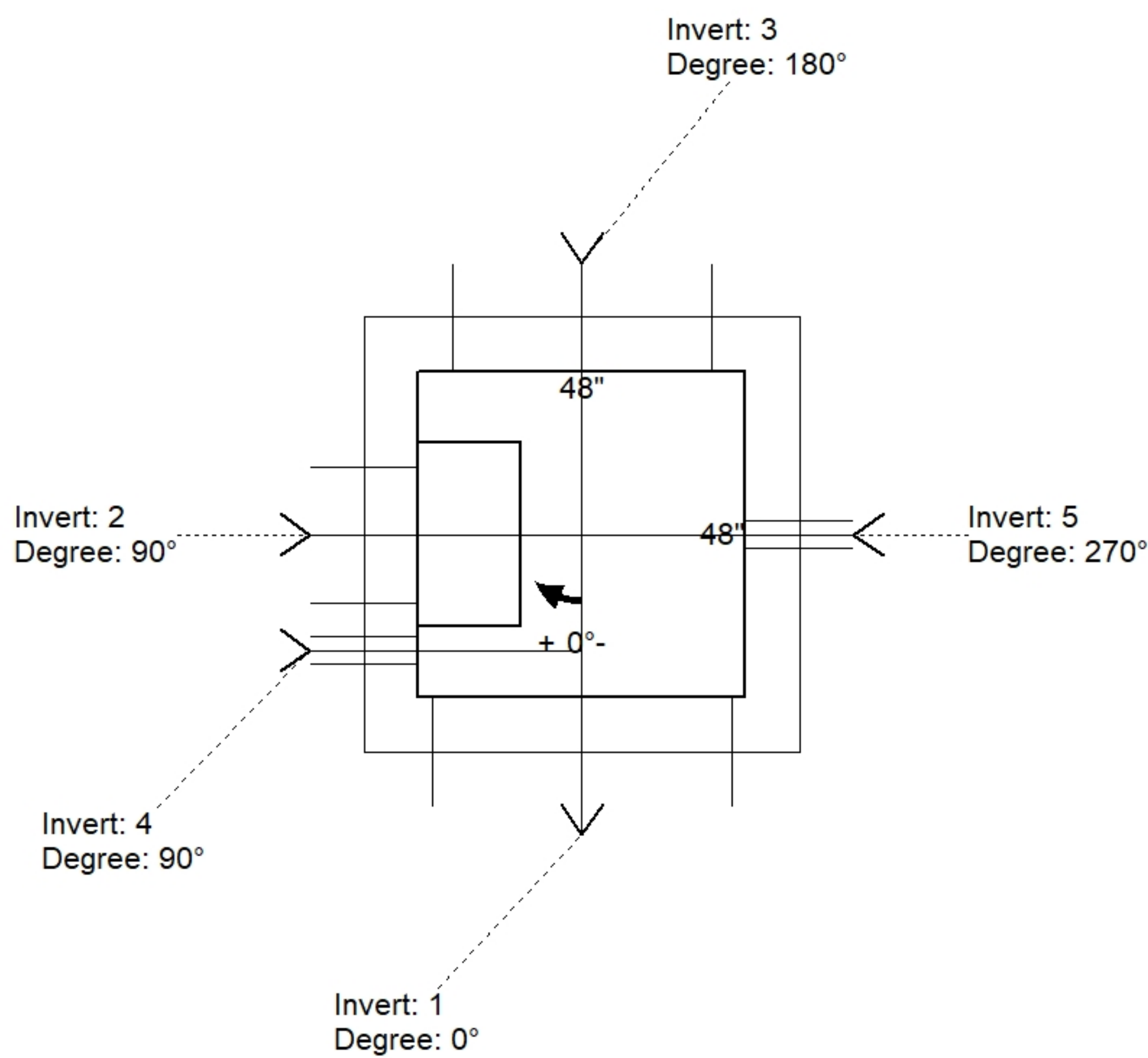
Structure Notes:

- KYTC DBI TYPE 13G / ASTM C-913 SPEC'S.
- CONCRETE = 4,000 PSI AT 28 DAYS.
- CASTING BY ICAST (HOE KY-230-G F/G (GRADE)).

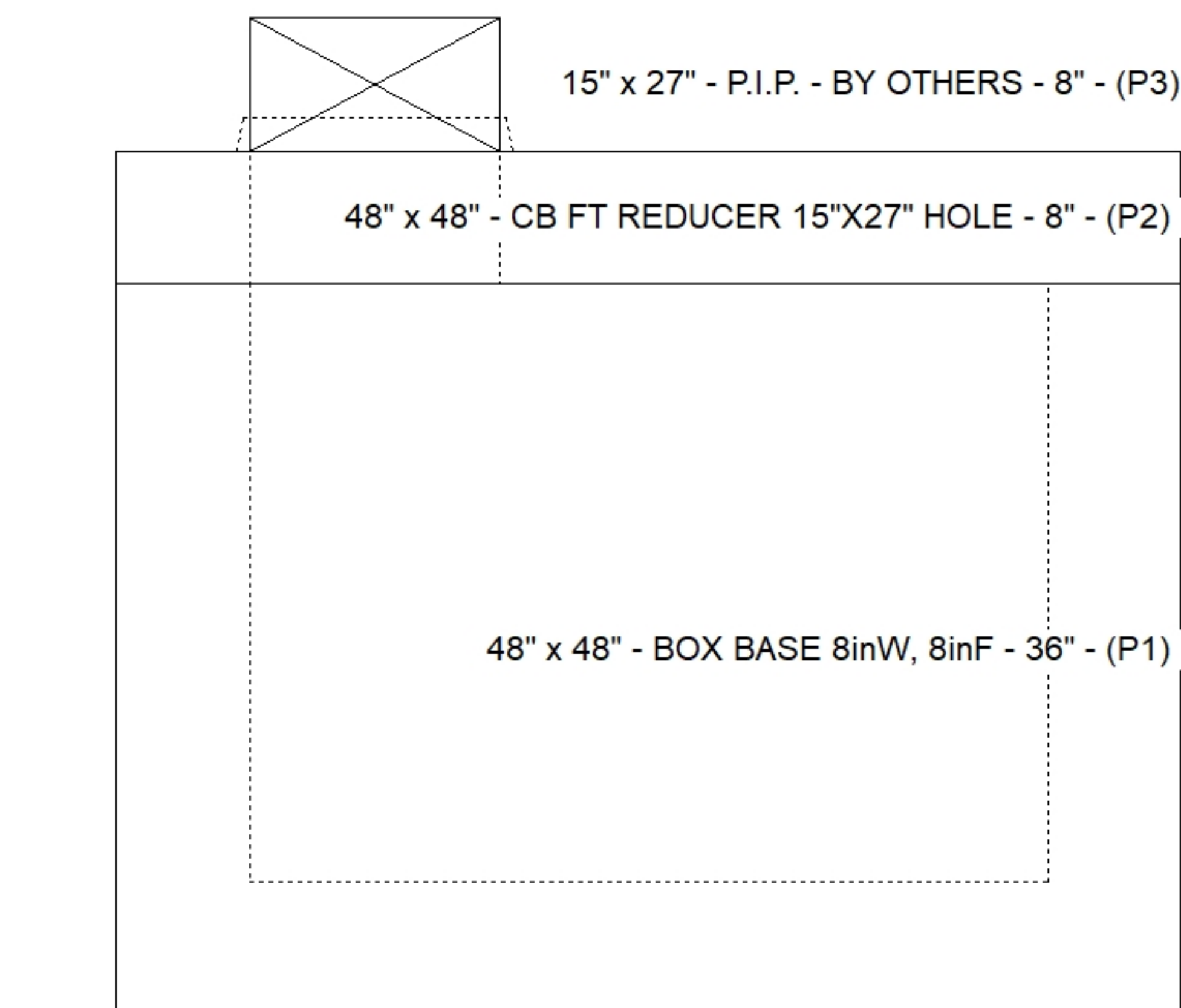
REINFORCING PER ASTM A615 (GRADE 60).
 - TRANS. SLAB (As .62) #5 BARS AT 6" C.C.E.W. (DBL MAT).
 - WALLS (As .31) #5 BARS AT 12" C.C.E.W..
 - FLOOR (As .31) #5 BARS AT 12" C.C.E.W.

STRUCTURE SUMMARY:

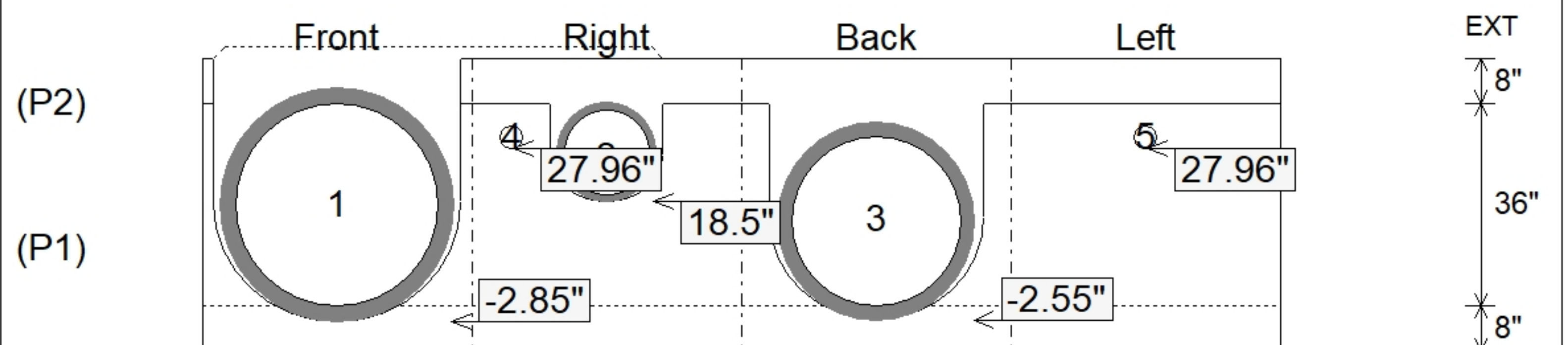
P3) 15" x 27" - P.I.P. - BY OTHERS - 8"	0 lb
P2) 48" x 48" - CB FT REDUCER 15"X27" HOLE - 8"	1714 lb
P1) 48" x 48" - BOX BASE 8inW, 8inF - 36"	6035 lb
1) CASTING - HOE KY-230-G F/G (GRADE)	237 lb
1) 48" x 48" - Conseal CS-102 1.00"	0 lb
1) 15" x 27" - Conseal CS-102 1.00"	0 lb
1) DOGHOUSE INVRTD - 44"x42"	0 lb
1) DOGHOUSE INVRTD - 20"x16"	0 lb
1) DOGHOUSE INVRTD - 38"x36"	0 lb
2) Hole - 4	0 lb
Structure Total:	7986 lb



Position	Elev	Angle	Pipe	Pipe OD	Hole	Connector	Up (")	Ref
Rim	376'							
Reducer	374.63'							
Invert 1	371.63'	0°	36" HDPE	41.7"	44" x 42"	DOGHOUSE INVRTD 44"x42"	-2.85"	P1
Invert 2	373.28'	90°	15" HDPE	17.6"	20" x 16"	DOGHOUSE INVRTD 20"x16"	18.5"	P1
Invert 3	371.63'	180°	30" HDPE	35.1"	38" x 36"	DOGHOUSE INVRTD 38"x36"	-2.55"	P1
Invert 4	373.96'	90°	4" WEEP HOLE	4"	4"	Hole 4	27.96"	P1
Invert 5	373.96'	270°	4" WEEP HOLE	4"	4"	Hole 4	27.96"	P1
Invert 6								
Invert 7								
Invert 8								



Default - Interior Dimensions



Submittal Drawing
 4/24/2026 2:05:27 PM

SUBMITTAL
 APPROVED BY: