

Job Name: 26-1232 - Mustang Village Apartments Ph.1  
 Job Location: Paducah, KY  
 Contractor: Wood Brothers

Plant: 100  
 4/21/2026 8:03:04 PM

Tech: Jared - F  
 PC: T. Lewis



**Structure ID: S13-13 DBI13G**

**P1 BX4848-08BAVF**

**BOX BASE 8inW, 8inF, Variable Ht F/n**

- P3) 15" x 27" - P.I.P. - BY OTHERS - 8"
- P2) 48" x 48" - CB FT REDUCER 15"X27" HOLE T/F - 8"
- P1) 48" x 48" - BOX BASE 8inW, 8inF, Variable Ht F/n - 56"
- 1) CASTING - HOE KY-230-G F/G (GRADE)
- 1) 48" x 48" - Conseal CS-102 1.00"
- 1) 15" x 27" - Conseal CS-102 1.00"
- 2) Hole - 44
- 1) Hole - 30
- 2) Hole - 4

**Structure Notes:**  
 1. KYTC DBI TYPE 13G / ASTM C-913 SPEC'S.  
 2. CONCRETE = 4,000 PSI AT 28 DAYS.  
 3. CASTING BY ICAST (HOE KY-230-G F/G (GRADE)).

REINFORCING PER ASTM A615 (GRADE 60).  
 - TRANS. SLAB (As .62) #5 BARS AT 6" C.C.E.W. (DBL MAT).  
 - WALLS (As .31) #5 BARS AT 12" C.C.E.W..  
 - FLOOR (As .31) #5 BARS AT 12" C.C.E.W.

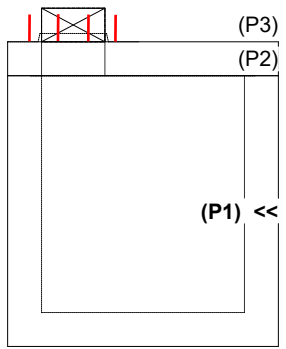
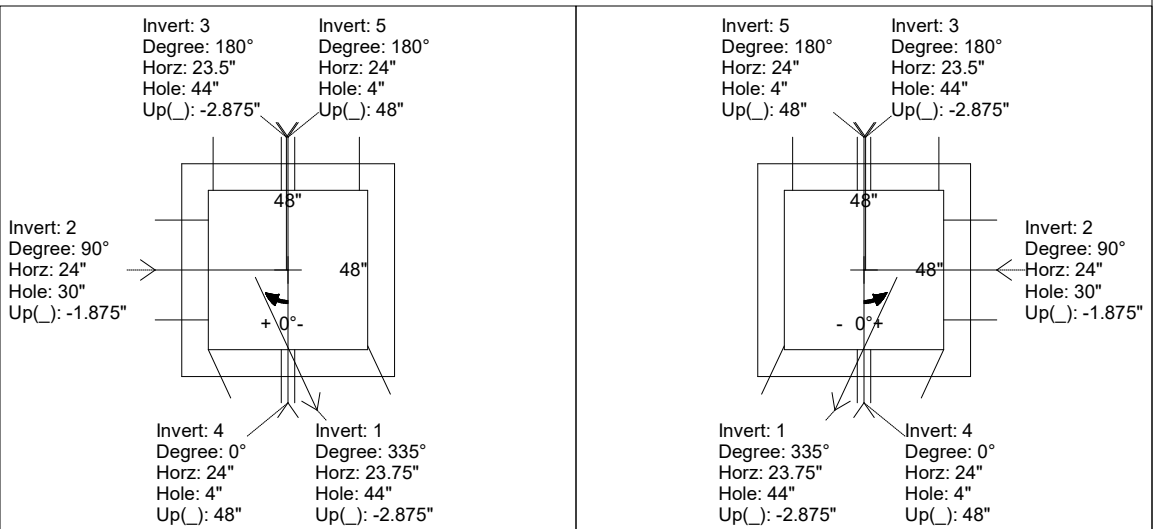
Structure Total: 11239 lb

Rim: 376.44' Rim to Invert: 6.03' Slack: 0.36" Sump: 0" Step Position:

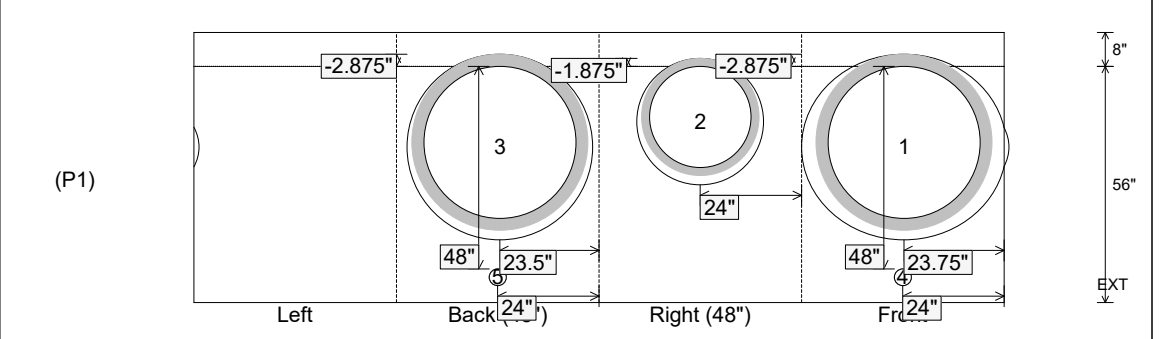
Position	Elev	Angle	Ext. (cw)	Pipe	Pipe OD	Connector	Hole	Horz Size	Up (↓)	Offset
Invert 1	370.41'	335°	28"	36" HDPE	41.7"	Hole 44	44"	47.996", 1.186"	-2.875"	9.89"
Invert 2	370.41'	90°	32"	24" HDPE	27.8"	Hole 30	30"	30"	-1.875"	0"
Invert 3	370.41'	180°	31.5"	36" HDPE	41.7"	Hole 44	44"	44"	-2.875"	-0.5"
Invert 4	374.41'	0°	32"	4" WEEP HOLE	4"	Hole 4	4"	4"	48"	0"
Invert 5	374.41'	180°	32"	4" WEEP HOLE	4"	Hole 4	4"	4"	48"	0"
Invert 6										
Invert 7										
Invert 8										

RIGHT-SIDE UP VIEW (int. dimensions)

UPSIDE-DOWN VIEW (int. dimensions)



INSIDE WALL DIMENSIONS



Coating (Int): Coating (Ext):	Seam Up: Flat Seam Dn: n/a	Wall Thickness: 8" Floor Height: 8"	Height (Int): 56" Height (Ext): 64"	Weight (Net): 8525 lb Volume (Net): 2.18cu.yd
----------------------------------	-------------------------------	--	--	--