

**Structure ID: 10-CS-4**

**P1 MH048BA18**

**MH BASE T/n**

P4) 30" - CASTING HEIGHT - 0" P3) 48" - MH FLAT LID w/30in ECC Hole F/G - 12" P2) 48" - MH RISER T/G - 66" P1) 48" - MH BASE T/n - 18" 1) CVSTENCILING 1) ASSEMBLY REQUIRED 2) 48" - Conseal CS-102 1.00" 2) Hole - 16	0 lb 1413 lb 4436 lb 2588 lb 0 lb 0 lb 0 lb 0 lb 0 lb _____ 8437 lb	<b>Structure Notes:</b> 4" CASTING BY OTHERS  LIFTING ANCHORS TO BE INSTALLED ON THE OUTSIDE OF THE STRUCTURE  ICAST TO INSTALL THE INTERNALS  CONTECH'S LOGO AS WELL AS THE INLET AND OUTLET MUST BE STENCILED ONTO THE STRUCTURE
---	---	---

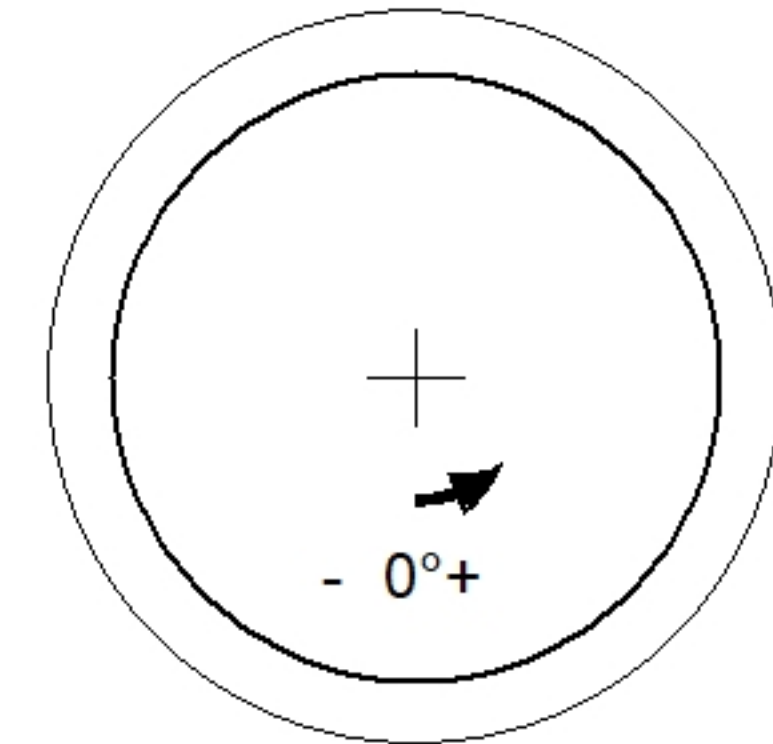
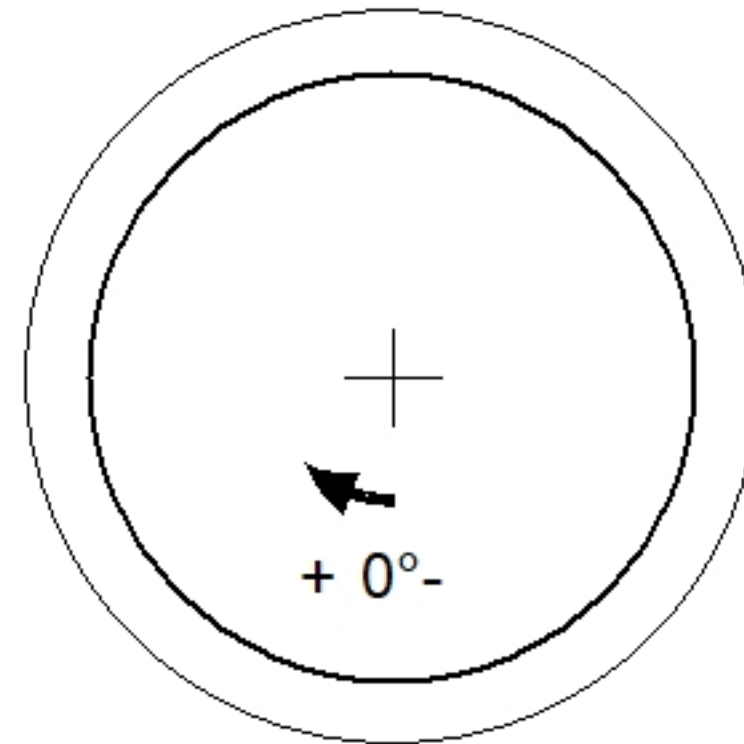
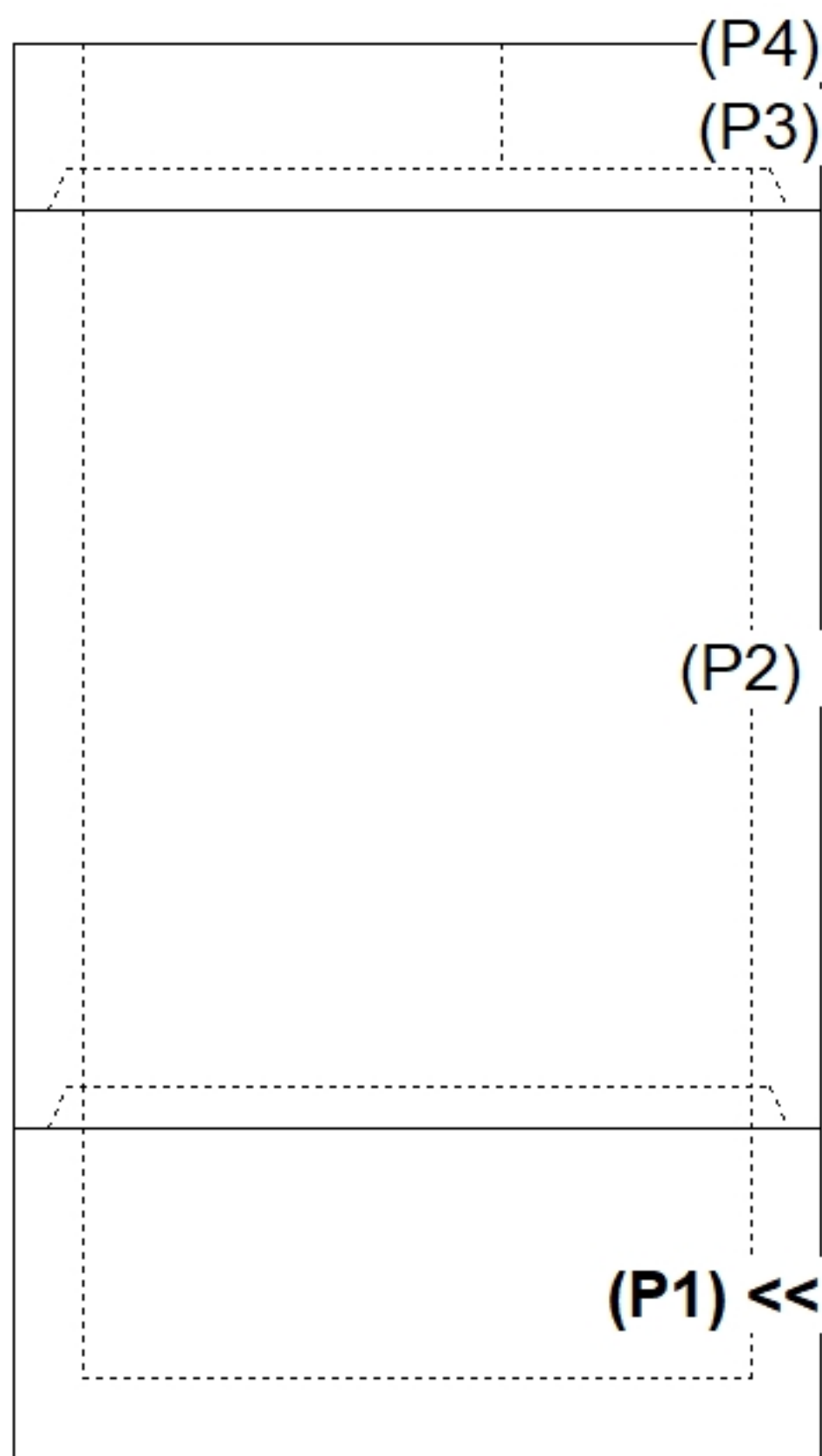
Structure Total: 8437 lb

Rim: 579.6'    Rim to Invert: 4.65'    Slack: 10.8"    Sump: 51"    Step Position:

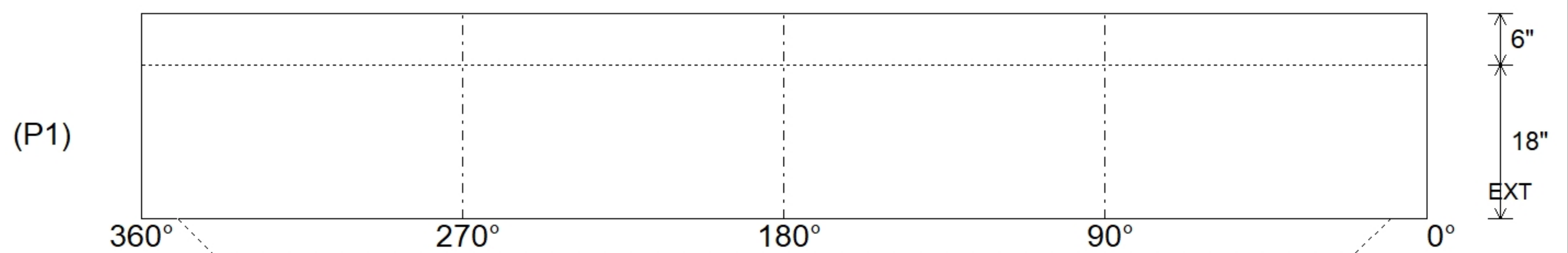
Position	Elev	Angle	Ext. (cw)	Pipe	Pipe OD	Connector	Hole	Horz Size	Up (L)	Offset
Invert 1										
Invert 2										
Invert 3										
Invert 4										
Invert 5										
Invert 6										
Invert 7										
Invert 8										

RIGHT-SIDE UP VIEW (int. dimensions)

UPSIDE-DOWN VIEW (int. dimensions)



INSIDE WALL DIMENSIONS



Coating (Int):	Seam Up: Tongue	Wall Thickness: 5"	Height (Int): 18"
Coating (Ext):	Seam Dn: n/a	Floor Height: 6"	Height (Ext): 24"
		Weight (Net): 2588 lb	
		Volume (Net): 0.66cu.yd	