

Job Name: 26-1222 Woodvale Subdivision Ph.120-211-300
Job Location: Erlanger, KY
Contractor: Mago Construction Co. LLC

PC: Celina Goff
 TECH: Jared - A
 Plant: 100



Structure ID: **OCS-11-54 CB2-3**
 Spec: Storm
 Type: Outlet Control Structure
 Size: 36" x 36"

Rim: 848'
 Invert: 839.47'
 Rim to Invert: 8.53'

Sump: 0"
 Floor (Top): 839.47'
 Floor Height: 8"

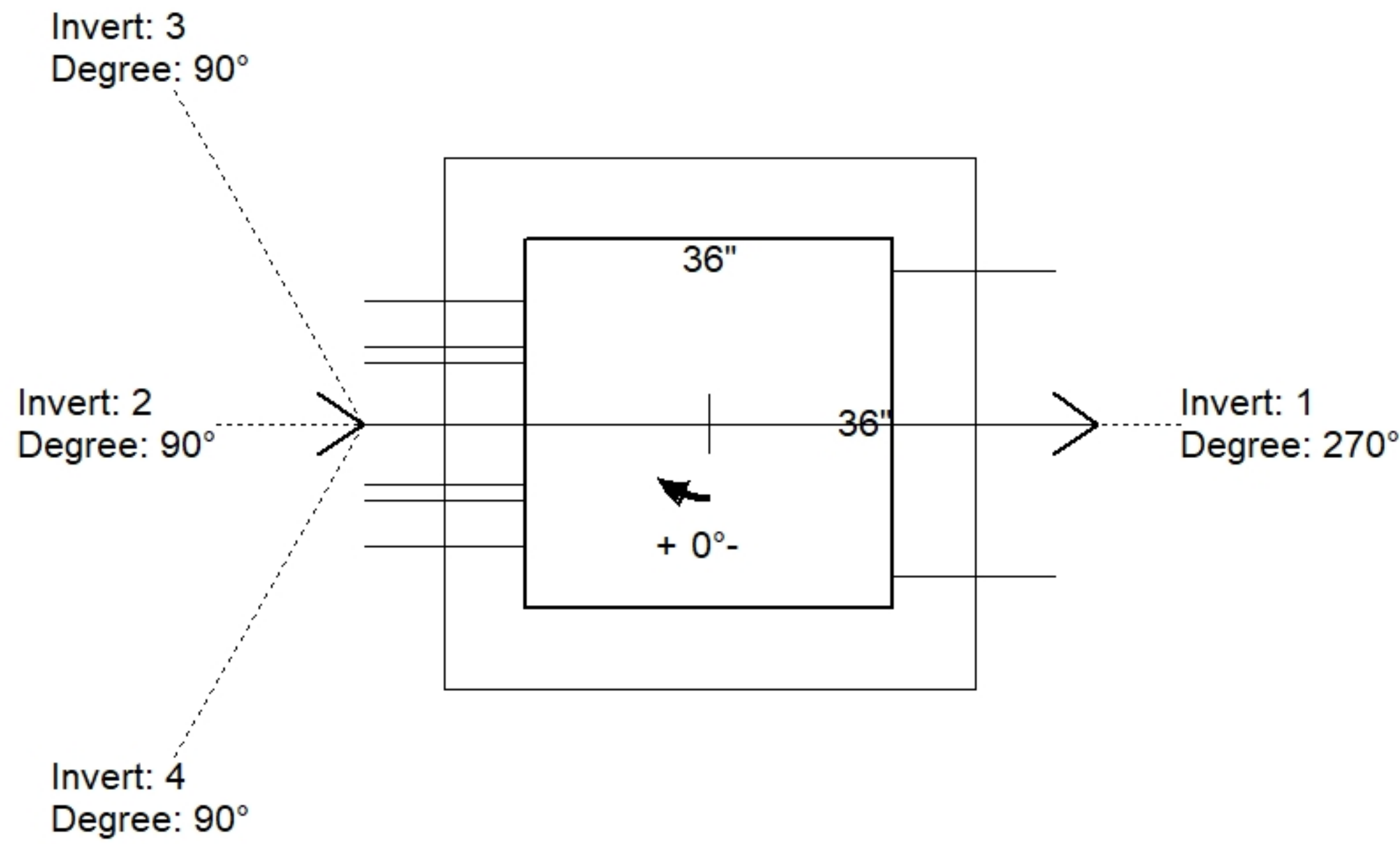
Floor (Bot): 838.803'
 Overall Height: 9.167'
 Slack: 0.358"

Structure Notes:

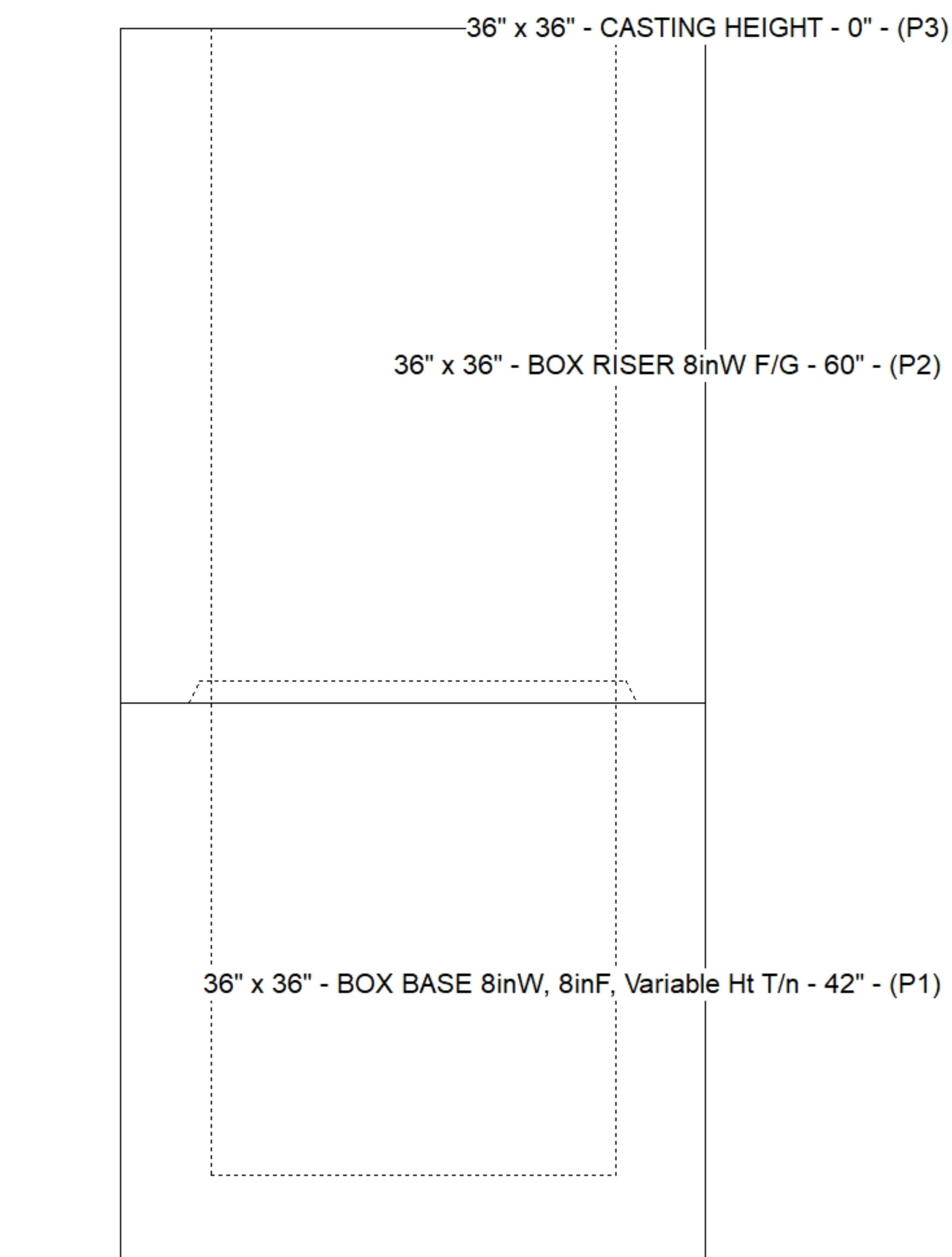
- PLAN LABEL: 11
- LFS-3636-P SQ. FLUSH MOUNT GRATE PROVIDED BY ICAST.
 - PER ASTM C913 SPECIFICATIONS.
 - CONCRETE = 4,500 PSI AT 28 DAYS.
 - REINFORCING PER ASTM A615 (GRADE 60).
 - RISER/WALLS (As .12)
 - FLOOR (As .31) #5 BARS AT 12" C.C.E.W.

STRUCTURE SUMMARY:

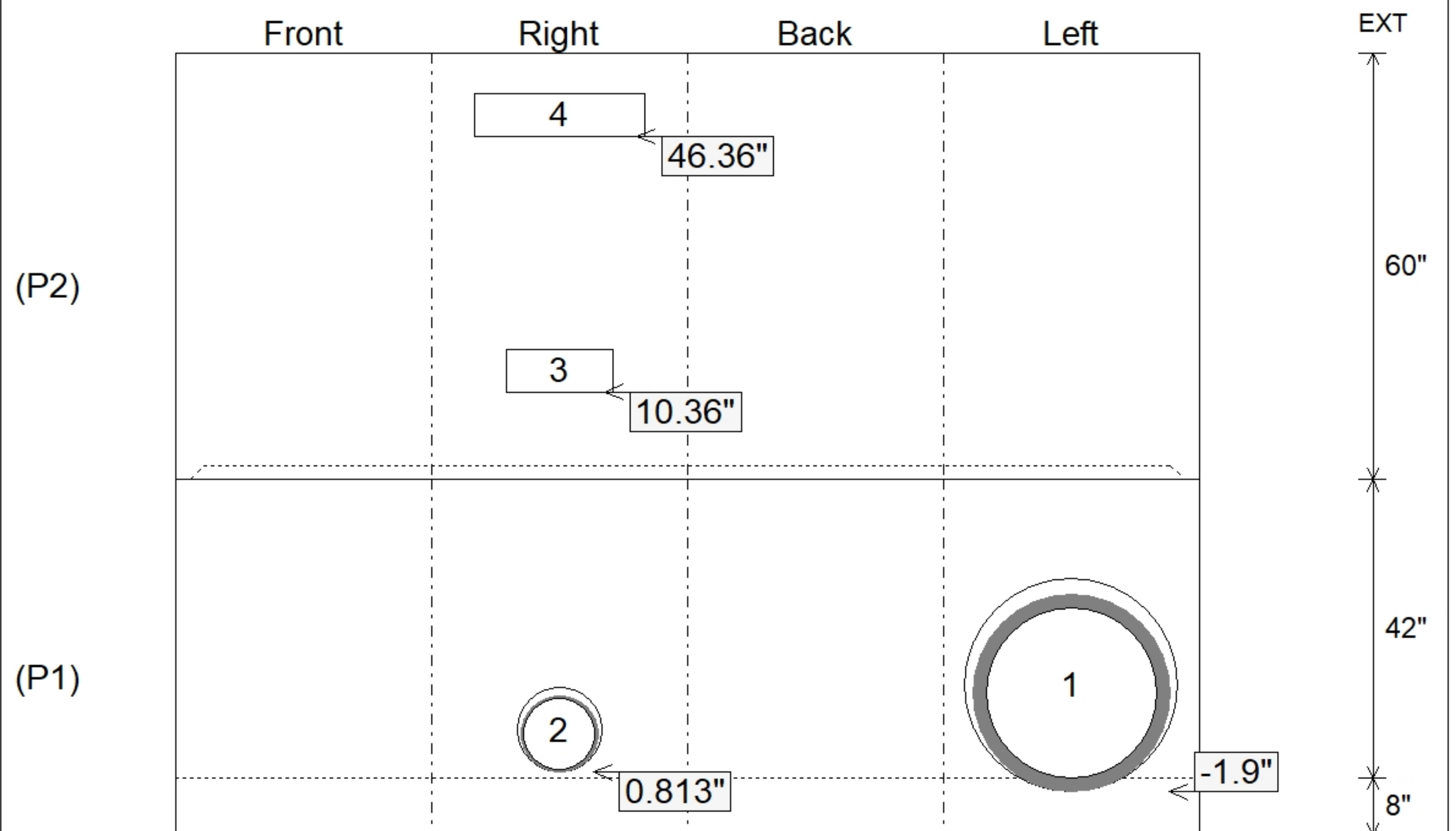
P3) 36" x 36" - CASTING HEIGHT - 0"	0 lb
P2) 36" x 36" - BOX RISER 8inW F/G - 60"	6932 lb
P1) 36" x 36" - BOX BASE 8inW, 8inF, Variable Ht T/n - 42"	6227 lb
1) CASTING - TRASHRACKS LFS-3636-P SQ. Flush Mount Grate	195 lb
2) 36" x 36" - Conseal CS-102 1.00"	0 lb
1) Hole - 30	0 lb
1) Hole - 12	0 lb
1) Weir n/n - 15"x6"	0 lb
1) Weir n/n - 24"x6"	0 lb
Structure Total:	13354 lb



Position	Elev	Angle	Pipe	Pipe OD	Hole	Connector	Up (")	Ref
Rim	848'							
Reducer								
Invert 1	839.47'	270°	24" HDPE	27.8"	30"	Hole 30	-1.9"	P1
Invert 2	839.57'	90°	10" PVC PERF	10.75"	12"	Hole 12	0.813"	P1
Invert 3	844'	90°	15" x 6" Weir	15" x 6"	15" x 6"	Weir 15"x6"	10.36"	P2
Invert 4	847'	90°	24" x 6" Weir	24" x 6"	24" x 6"	Weir 24"x6"	46.36"	P2
Invert 5								
Invert 6								
Invert 7								
Invert 8								



Default - Interior Dimensions



Submittal Drawing
 3/2/2026 1:33:53 PM

SUBMITTAL
 APPROVED BY: