

Job Name: 26-1222 Woodvale Subdivision Ph.120-211-300
Job Location: Erlanger, KY
Contractor: Mago Construction Co. LLC

PC: Celina Goff
 TECH: Jared - A
 Plant: 100



Structure ID: MH-93-12 MH3

Spec: Storm
 Type: STM.MH (Recessed pipe)
 Size: 48"

Rim: 899.13'
 Invert: 893.22'
 Rim to Invert: 5.91'

Sump: 0"
 Floor (Top): 893.22'
 Floor Height: 6"

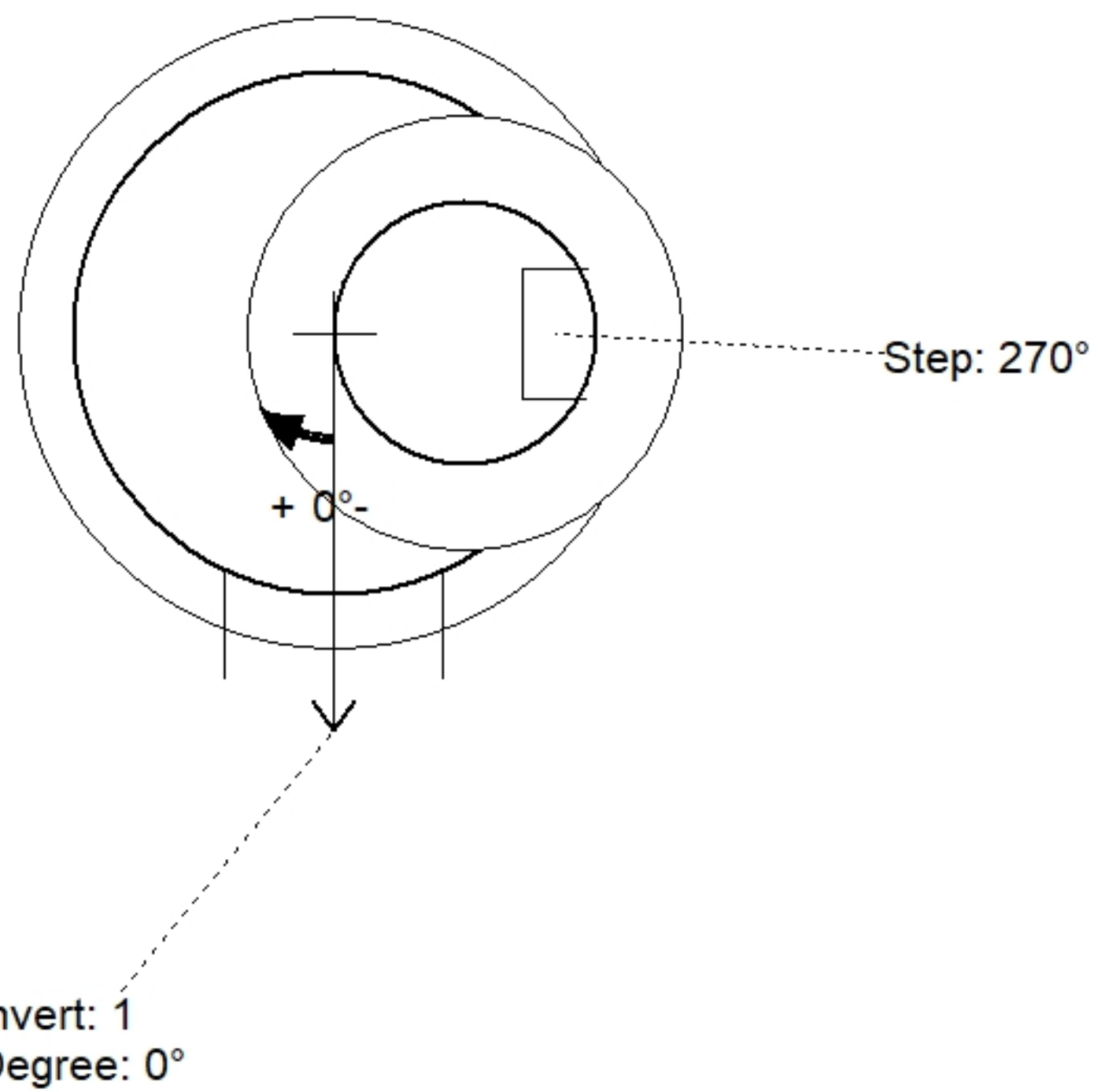
Floor (Bot): 892.72'
 Overall Height: 6.333'
 Slack: 0.92"

Structure Notes:

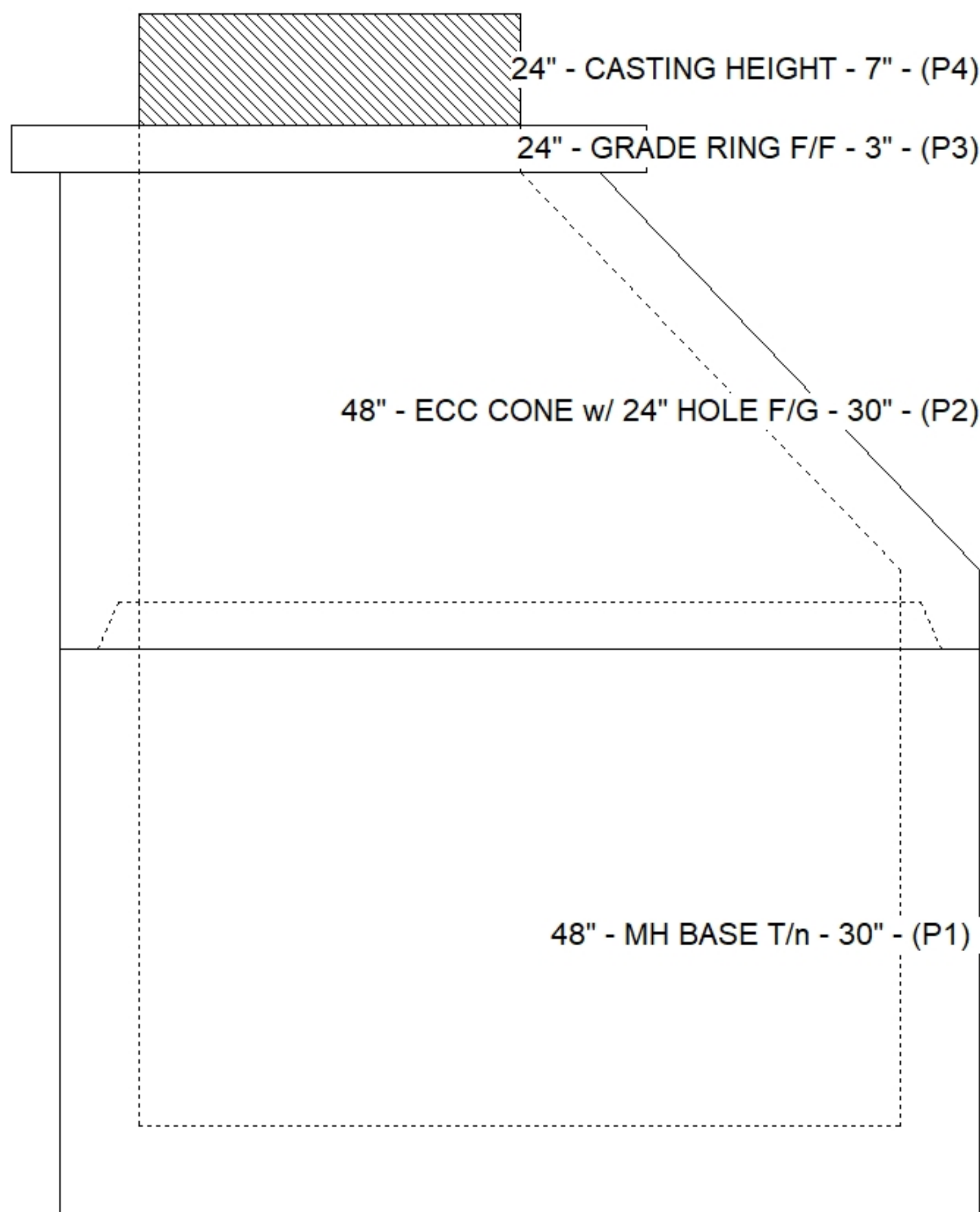
- PLAN LABEL: 93
- HOE MC-375 F/C STORM PROVIDED BY ICAST.
 - PER ASTM C478 SPECIFICATIONS.
 - CONCRETE = 4,000 PSI AT 28 DAYS.
 - REINFORCING PER ASTM A615 (GRADE 60).
 - CONE (As .12)
 - RISER/WALLS (As .12)
 - FLOOR (As .31) #5 BARS AT 12" C.C.E.W.

STRUCTURE SUMMARY:

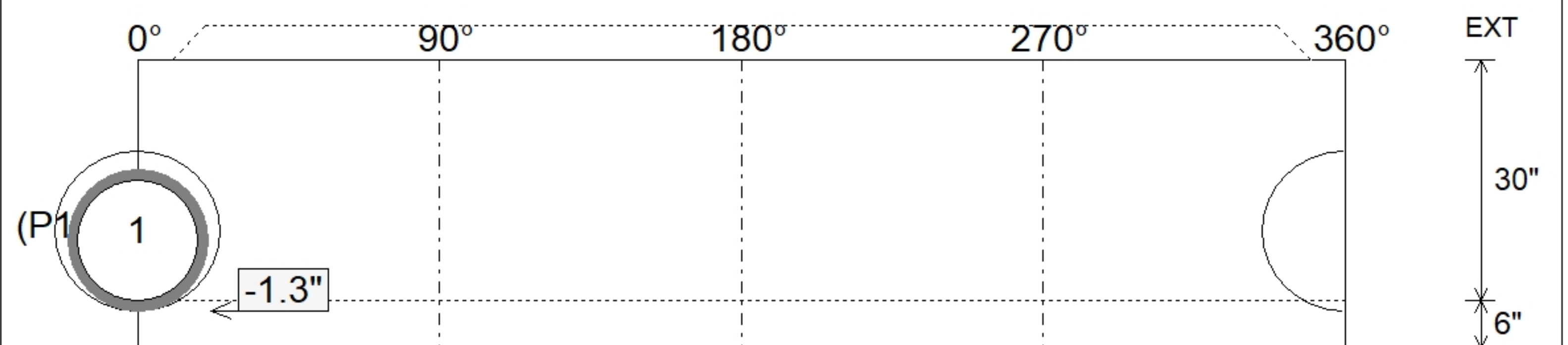
P4) 24" - CASTING HEIGHT - 7"	0 lb
P3) 24" - GRADE RING F/F - 3"	202 lb
P2) 48" - ECC CONE w/ 24" HOLE F/G - 30"	2050 lb
P1) 48" - MH BASE T/n - 30"	3291 lb
1) CASTING - HOE MC-375 F/C Storm	271 lb
1) 48" - Conseal CS-102 1.00"	0 lb
1) Hole - 20	0 lb
6) MH Step ML-10-TDS-NCR - 10"	0 lb
Structure Total:	5814 lb



Position	Elev	Angle	Pipe	Pipe OD	Hole	Connector	Up ()	Ref
Rim	899.13'							
Reducer								
Invert 1	893.22'	0°	15" HDPE	17.6"	20"	Hole 20	-1.3"	P1
Invert 2								
Invert 3								
Invert 4								
Invert 5								
Invert 6								
Invert 7								
Invert 8								



Default - Interior Dimensions



Submittal Drawing
 3/2/2026 1:33:42 PM

SUBMITTAL
 APPROVED BY: